



TH	THAILAND
----	----------

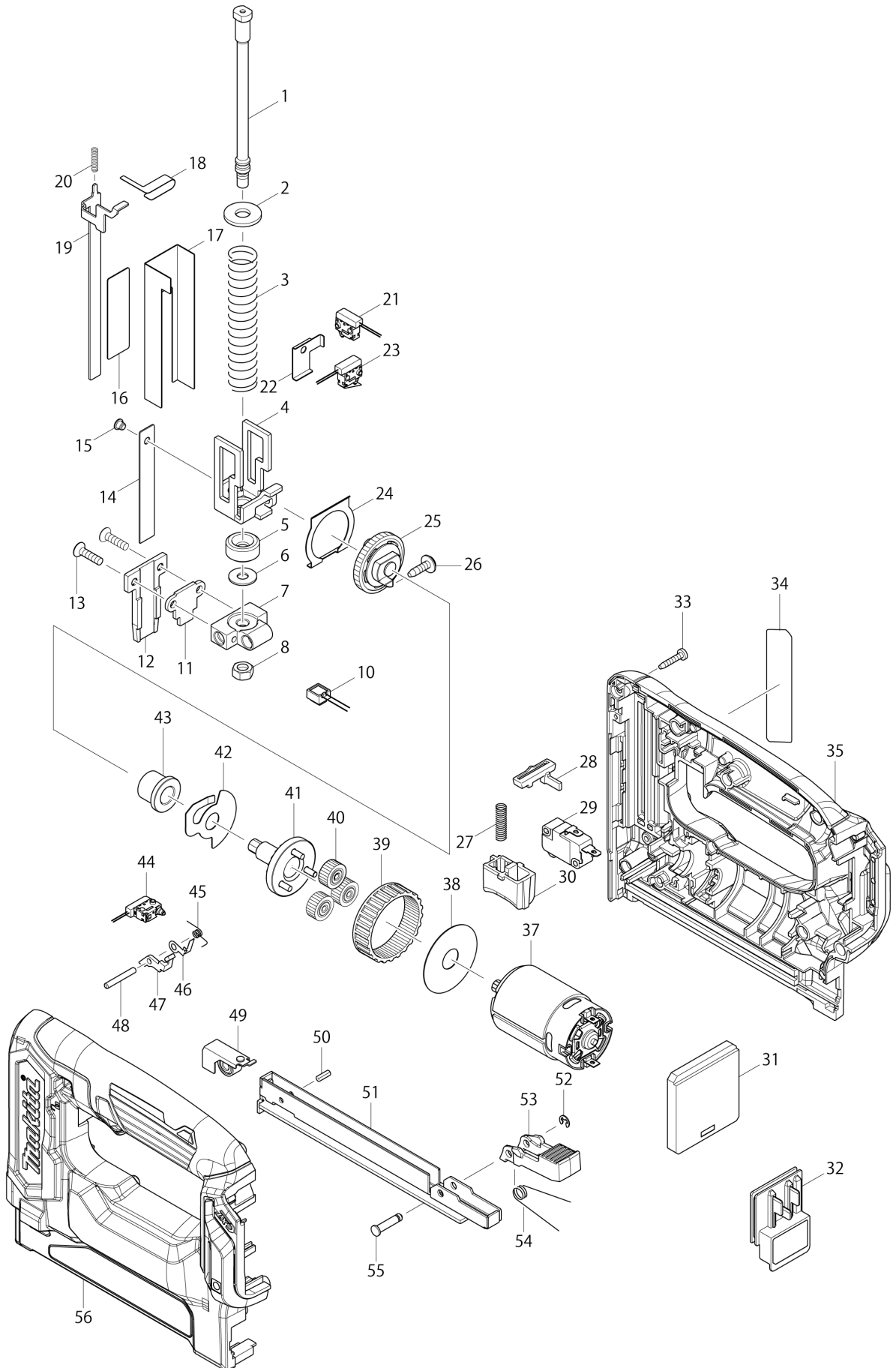
Diagram / Parts List

ST113D

CORDLESS STAPLER



(TH) ST113D / CORDLESS STAPLER



TH	THAILAND
----	----------

ST113D / CORDLESS STAPLER

Item	Sub	Parts No.	Parts Description	Qty	I/C	E/C No.	Close No.	Remark
001		326731-6	GUIDE BOLT	1				
002		253762-1	FLAT WASHER 8	1				
003		232297-5	COMPRESSION SPRING 13	1				
004		347023-0	HAMMER	1				
005		424099-5	CUSHION	1				
006		253804-1	FLAT WASHER 6	1				
007-1		319425-0	HOLDER	1				
008		931302-2	HEX. NUT M6	1				
010		620507-6	LED CIRCUIT	1				
011		347037-9	SET PLATE	1				
012		326738-2	DRIVER GUIDE	1				
013		251487-1	H.SOCKET C.S.HEAD SCREW M4X16	2				
014		347034-5	DRIVER	1				
015		256318-9	FLAT FILLISTER HD. PIN 4	1				
016		347038-7	UPPER PLATE	1				
017		347036-1	GUIDE PLATE	1				
018		232300-2	LEAF SPRING	1				
019-1		347316-5	CONTACT ARM	1				
020		232337-9	COMPRESSION SPRING 3	1				
021		632G60-2	SWITCH UNIT	1				
022		347121-0	SLIDE PLATE	1				
023		632G61-0	SWITCH UNIT	1				
024		347040-0	GEAR PLATE	1				
025		143770-9	SPUR GEAR 43 COMPLETE	1				
026		266901-4	TAPPING SCREW 4X14	1				
027		232299-1	COMPRESSION SPRING 5	1				
028		456799-9	TRIGGER LOCK	1				
029		632J09-0	SWITCH UNIT	1			C3033	
029-1		632M82-8	SWITCH UNIT	1	<	C3033		
030		457303-7	TRIGGER	1				
031		620598-7	CONTROLLER	1				
032		644813-5	TERMINAL	1				
033		266130-9	TAPPING SCREW BIND PT 3X16	10				
034		852U41-6	ST113D NAME PLATE	1			Y07915	
034-1		852U40-8	ST113D NAME PLATE	1	<	Y07915		
035		183F23-0	HOUSING SET	1				
	C10	263002-9	RUBBER PIN 4	2				
	C20	252126-6	HEX. LOCK NUT M4-7	2				
	D10		INC. 56					
037		629240-7	DC MOTOR	1				
038		267053-4	FLAT WASHER 12	1				
039		227166-3	INTERNAL GEAR 69	1				
040		221961-3	SPUR GEAR 27	3				
041		143777-5	SPUR GEAR 7 COMPLETE	1				
042		345773-1	ANTI BACK PLATE	1				
043		214059-3	PLANE BEARING 10	1				
044		632G60-2	SWITCH UNIT	1				
045		232298-3	TORTION SPRING 3	1				
046		347041-8	SLIP PLATE	1				
047		456796-5	SWITCH PLATE	1				
048		256221-4	PIN 3	1				
049		143780-6	SPIRAL SPRING COMPLETE	1				
050		951051-5	SPRING PIN 3-8	1				
051		161467-8	SUB MAGAZINE	1				
052		961017-7	STOP RING E-3	1				
053		456798-1	LEVER	1				
054		232301-0	TORSION SPRING 7	1				
055		268029-4	PIN 4	1				
056		183F23-0	HOUSING SET	1				
	C10	263002-9	RUBBER PIN 4	2				
	C20	252126-6	HEX. LOCK NUT M4-7	2				
	D10		INC. 35					
A01		195246-2	SAFETY GOGGLE	1			DJ640	
A02-1		251314-2	+ SCREW M4X12	1				
A03		346909-5	HOOK	1				

A:ST113DZ(N)
B:ST113DWWYJ(H)

Interchange
O : Yes
X : No
< : the new part can be substituted for the current.
> : the current part can be substituted for the new.
S : Interchangeable as a set.

