



TH	THAILAND
----	----------

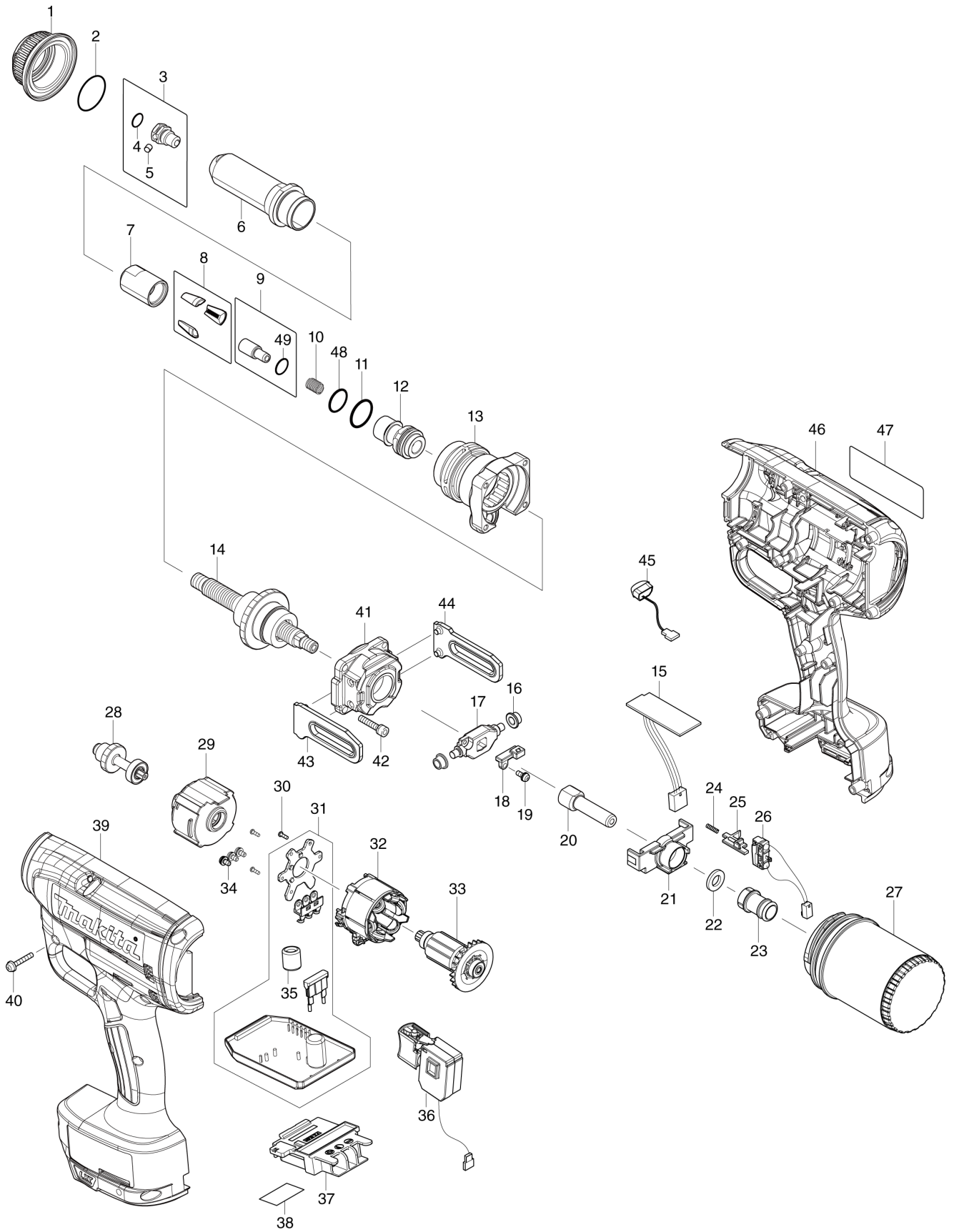
# Diagram / Parts List

**DRV150**

**CORDLESS RIVET GUN**



# (TH) DRV150 / CORDLESS RIVET GUN



TH	THAILAND
----	----------

### DRV150 / CORDLESS RIVET GUN

Item	Sub	Parts No.	Parts Description	Qty	I/C	E/C No.	Close No.	Remark
001		319812-3	SCREW NUT 4.8	1				
002		213380-7	O RING 24	1				
003		127225-2	NOSEPIECE 4.8A ASSEMBLY	1			DJ402	
	D10		INC. 4,5				DJ402	
003-1		127689-0	NOSEPIECE 4.8S ASSEMBLY	1	S	DJ402		
	D10		INC. 4,5			DJ402		
004		213011-8	O RING 7	1				
005		256217-5	PIN 4	1				
006-1		327279-1	HEAD 6.4	1			DJ402	
006-2		327691-5	HEAD 4.8S	1	S	DJ402		
007-1		327281-4	JAW CASE	1			DJ402	
007-2		327B83-0	JAWCASE 4.8S	1	O	DJ402		
008		199731-7	JAW 4.8 SET	1			DJ402	
008-1		199730-9	JAW 6.4 SET	1	S	DJ402		
009		127475-9	JAW PUSHER 3.6 ASSEMBLY	1				
	D10		INC. 49					
010		232586-8	COMPRESSION SPRING 7	1				
011		213265-7	O RING 17	1				
012		327285-6	JOINT 4.8	1				
013		140J44-9	FRONT HOUSING COMPLETE	1				
014		127221-0	BALL SCREW	1				
015		620A44-6	HALL IC CIRCUIT	1				
016		257457-8	RING 5	2				
017		310935-0	ROLLER SHAFT 4.8	1				
018		140E40-7	MAGNET HOLDER COMPLETE	1			D0651	
018-1		140T04-1	MAGNET HOLDER COMPLETE	1	<	D0651		
019		911008-8	PAN HEAD SCREW M3X8	1				
020		327284-8	TUBE 4.8	1				
021		458772-5	TUBE GUIDE A	1				
022		261161-3	FELT RING 8	1				
023		458773-3	TUBE GUIDE B	1				
024		233025-1	COMPRESSION SPRING 2	1				
025		458774-1	SWITCH LEVER	1				
026		632M90-9	SWITCH UNIT	1				
027		162500-9	MANDREL CONTAINER COMPLETE	1				
028		140J46-5	SPUR GEAR 10 COMPLETE	1				
029		127222-8	GEAR ASSEMBLY	1				
030		266490-9	TAPPING SCREW PT 2X6	3				
031		632M67-4	CONTROLLER UNIT	1				
032		629373-8	STATOR	1				
033		619535-6	ROTOR	1			DP336	
033-1		619535-6	ROTOR	1	O	DP336		
034		652069-6	FLAT HEAD SCREW M3X6	3				
036		651379-8	SWITCH C3JW-1A-S	1				
037		643874-2	TERMINAL	1				
038		855M09-3	DRV150 SERIAL NO. LABEL	1				
039		183L30-9	HOUSING SET	1				
	C10	263005-3	RUBBER PIN 6	2				
	C20	252126-6	HEX. LOCK NUT M4-7	2				
	C30	931002-4	HEX. NUT M3	10				
	D10		INC. 46					
040		265095-2	PAN HEAD SCREW M3X20	10				
041		140J45-7	REAR HOUSING COMPLETE	1				
042		265490-6	HEX. SOCKET HEAD BOLT M4X16	4				
043		310908-3	GUIDE PLATE L	1			D0651	
043-1		313297-5	GUIDE PLATE L	1	<	D0651		
044		310909-1	GUIDE PLATE R	1			D0651	
044-1		313298-3	GUIDE PLATE R	1	<	D0651		
045		620549-0	LED CIRCUIT	1				
046		183L30-9	HOUSING SET	1				
	C10	263005-3	RUBBER PIN 6	2				
	C20	252126-6	HEX. LOCK NUT M4-7	2				
	C30	931002-4	HEX. NUT M3	10				
	D10		INC. 39					
047		855M01-9	DRV150 NAME PLATE	1				

A:DRV150Z(N)  
B:DRV150RFE(H)

Interchange  
O : Yes  
X : No  
< : the new part can be substituted for the current.  
> : the current part can be substituted for the new.  
S : Interchangeable as a set.

