



TH	THAILAND
----	----------

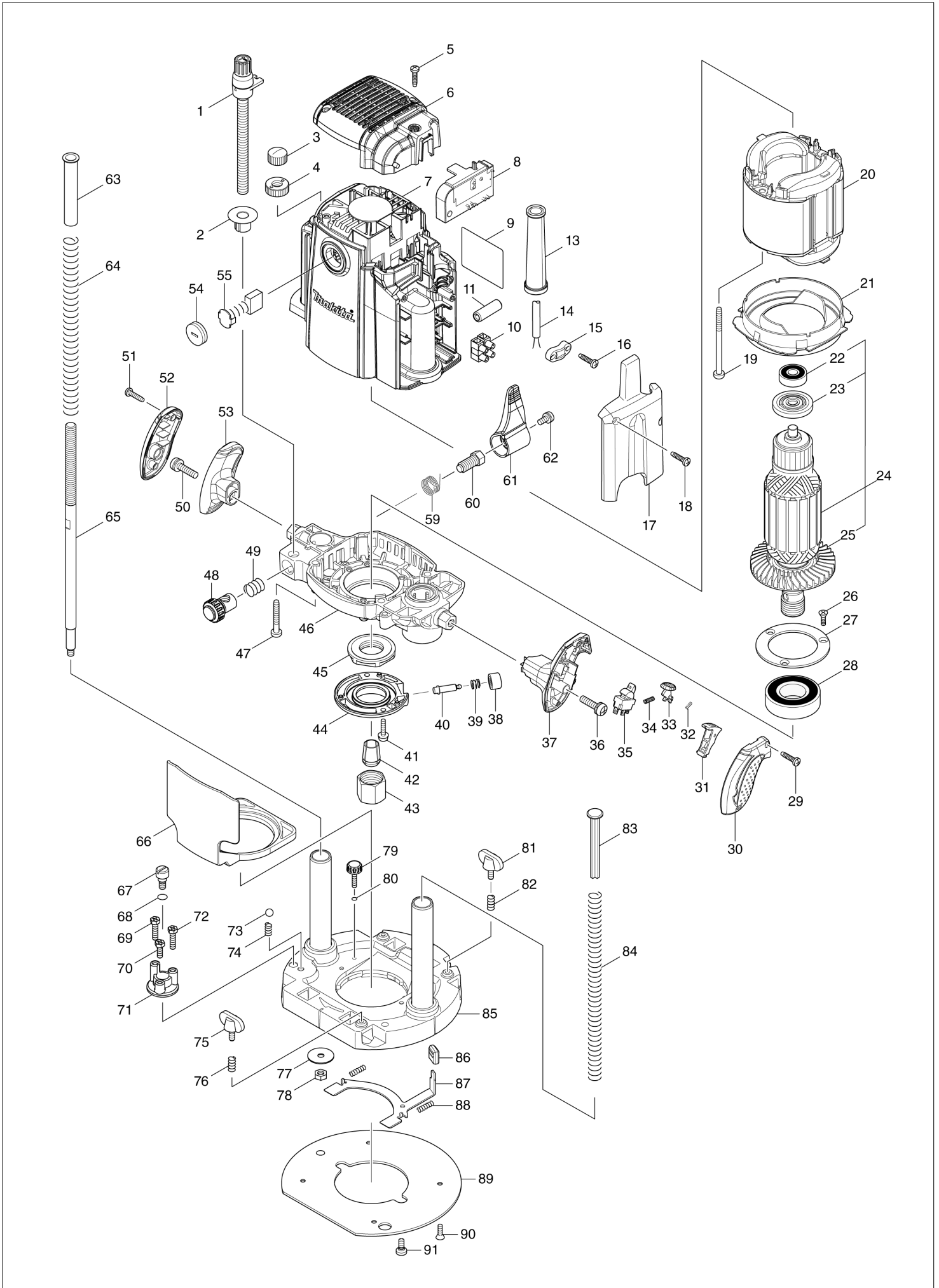
Diagram / Parts List

RP1803

ROUTER



(TH) RP1803 / ROUTER



TH	THAILAND
----	----------

RP1803 / ROUTER

Item	Sub	Parts No.	Parts Description	Qty	I/C	E/C No.	Close No.	Remark
001		125542-4	THUMB SCREW M10X115 ASS'Y	1				
002		450946-4	DEPTH POINTER	1				
003		252643-6	WING NUT M10	1				
004		410129-8	NYLON NUT M10	1				
005		265995-6	TAPPING SCREW 4X18	2				
006		413B15-4	REAR COVER	1				
007		158975-8	MOTOR HOUSING COMPLETE	1				
	C10	643707-1	BRUSH HOLDER	2				
	C20	638648-4	SUPPORT UNIT	1				
	C30	816923-0	SCALE LABEL	1			DU063	
	C31	816923-0	SCALE LABEL	1	O	DU063		
008		620H04-0	CONTROLLER	1				
009		8113E4-8	RP1803 NAME PLATE	1				
010		654531-7	TERMINAL BLOCK 2P	1				
013		682505-8	CORD GUARD 10-90	1				
014		691015-4	POWER SUPPLY CORD 0.75-2-2.5	1			DU669	
014-1		692171-3	POWER SUPPLY CORD 1.5-2-2.5	1	S	DU669		
015		687053-2	STRAIN RELIEF	1			DU669	
015-1		687063-9	CORD CLAMP	1	S	DU669		
016		265995-6	TAPPING SCREW 4X18	2				
017		450949-8	COVER	1				
018		265995-6	TAPPING SCREW 4X18	2				
019		266059-9	TAPPING SCREW 5X75	2				
020		636058-9	FIELD 220V	1				
021		450944-8	BUFFLE PLATE	1			DV964	
021-1		4131R0-7	BAFFLE PLATE	1	<	DV964		
022		211092-6	BALL BEARING 629DDW	1				
023		681671-8	INSULATION WASHER	1				
024		517803-0	ARMATURE ASS'Y 220V	1				
	D10		INC. 22,23,25					
025		240112-9	FAN 80	1				
026		251295-0	+ COUNTERSUNK HEAD SCREW M4X1	3				
027		285731-4	BEARING RETAINER 60	1				
028		211380-1	BALL BEARING 6205DDW	1				
029		265995-6	TAPPING SCREW 4X18	2				
030		450937-5	GRIP COVER R	1				
031		450940-6	SWITCH LEVER	1				
032		233024-3	COMPRESSION SPRING 4	1				
033		450941-4	LOCK OFF BUTTON	1				
034		231372-4	COMPRESSION SPRING 5	1				
035		651430-4	SWITCH	1				
036		911343-4	PAN HEAD SCREW M6X25	1				
037		450936-7	GRIP R	1				
038		450942-2	PUSH BUTTON	1				
039		233072-2	COMPRESSION SPRING 8	1				
040		268234-3	COLLARED PIN 6	1				
041		911133-5	PAN HEAD SCREW M4X18	2				
042		763622-4	COLLET CONE 1/2"	1				
043		763674-5	COLLET NUT	1				
044		318382-9	RETAINER COVER	1				
045		285849-1	RETAINER	1				
046		158971-6	MOTOR BRACKET COMPLETE	1				
047		266012-5	TAPPING SCREW 5X35	4				
048		153476-1	HALF NUT COMPLETE	1				
049		231231-2	COMPRESSION SPRING 12	1				
050		911343-4	PAN HEAD SCREW M6X25	1				
051		265995-6	TAPPING SCREW 4X18	2				
052		450939-1	GRIP COVER L	1				
053		450938-3	GRIP L	1				
054		643700-5	BRUSH HOLDER CAP 7-18	2				
055		191953-5	CARBON BRUSH CB-203	1			DW096	
055-1		194991-6	CARBON BRUSH SET CB203	1	O	DW096		
059		233538-2	TORSION SPRING 15	1				
060-1		265C75-6	SET BOLT M10	1				
061		450950-3	LOCK LEVER	1				

A:RP1803X05(H)

Interchange
O : Yes
X : No
< : the new part can be substituted for the current.
> : the current part can be substituted for the new.
S : Interchangeable as a set.

TH

THAILAND

RP1803 / ROUTER

Item	Sub	Parts No.	Parts Description	Qty	I/C	E/C No.	Close No.	Remark
062		911213-7	PAN HEAD SCREW M5X12	1				
063		450943-0	SILENT POLE	1				
064		234106-4	COMPRESSION SPRING 13	1				
065		325652-9	SCREW M10	1				
066		450953-7	TIP DEFLECTOR	1				
067		251467-7	- FLAT HEAD SCREW M6	1				
068		213030-4	O RING 8	1				
069		265587-1	+HEX. BOLT M5X20	1				
070		265586-3	+HEX. BOLT M5X14	1				
071		315931-3	STOPPER	1				
072		265587-1	+HEX. BOLT M5X20	1				
073		216009-4	STEEL BALL 7.1	1				
074		231419-4	COMPRESSION SPRING 5	1				
075		265720-5	THUMB SCREW M5X14	1				
076		231240-1	COMPRESSION SPRING 7	1				
077		253783-3	FLAT WASHER 6	1				
078		931303-0	HEX. NUT M6	1				
079		265774-2	THUMB SCREW M4X19	1				
080		213022-3	O RING 3	1				
081		265720-5	THUMB SCREW M5X14	1				
082		231240-1	COMPRESSION SPRING 7	1				
083		417252-0	POLE	1				
084		234105-6	COMPRESSION SPRING 11	1				
085		158973-2	BASE COMPLETE	1				
086		424176-3	CAP 14	1				
087		346032-6	LOCK PLATE	1				
088		233105-3	COMPRESSION SPRING 4	2				
089		450951-1	BASE PLATE	1				
090		912112-6	COUNTERSUNK HEAD SCREW M4X10	4				
091		266016-7	SET BOLT M5X10	2				
A01		122700-3	GUIDE HOLDER ASS'Y	1				
	C10	265754-8	THUMB SCREW M6X12	1				
	C20	265758-0	THUMB SCREW M10X45	1				
	C30	941151-9	FLAT WASHER 6	1				
A02-1		265C70-6	+PAN HEAD SCREW M6X135 WITH R	1				
A03		763803-0	COLLET SLEEVE FOR 1/4" BIT	1				
A04		763805-6	COLLET SLEEVE FOR 3/8" BIT	1				
A05		781030-7	WRENCH 24	1				
A07		342428-9	STRAIGHT GUIDE	1				
A08		344364-5	TEMPLET GUIDE 16	1				
A09		122850-4	DUST NOZZLE ASS'Y	1				
	C10	213022-3	O RING 3	1				
	C20	265774-2	THUMB SCREW M4X19	1				
A16		123022-4	TRIMMER GUIDE ASS'Y	1				
	C10	342427-1	PLATE HOLDER	1				
	C20	941101-4	FLAT WASHER 5	1				
	C30	942101-7	SPRING WASHER 5	1				
	C40	924206-5	WING BOLT M5X10	1				
	C50	163053-1	ROLL	1				
F01		199140-0	GUIDE RAIL 1000 SET	1				
F02		199141-8	GUIDE RAIL 1500 SET	1				
F03		194368-5	GUIDE RAIL 1400 SET	1				
F04		194925-9	GUIDE RAIL 1900 SET	1				
F05		194367-7	GUIDE RAIL 3000 SET	1				
F06		194416-0	SHEET 10000 SET	1				
F07		194417-8	RUBBER SHEET 10000 SET	1				
F08		194418-6	POSITION SHEET 1400 SET	1		DP447		
F09		194910-2	POSITION SHEET 1900 SET	1		DP447		
F69		194934-8	DUST NOZZLE SET	1				
F72		195136-9	STRAIGHT GUIDE SET	1				

A:RP1803X05(H)

Interchange

O : Yes

X : No

< : the new part can be substituted for the current.

> : the current part can be substituted for the new.

S : Interchangeable as a set.