



TH	THAILAND
----	----------

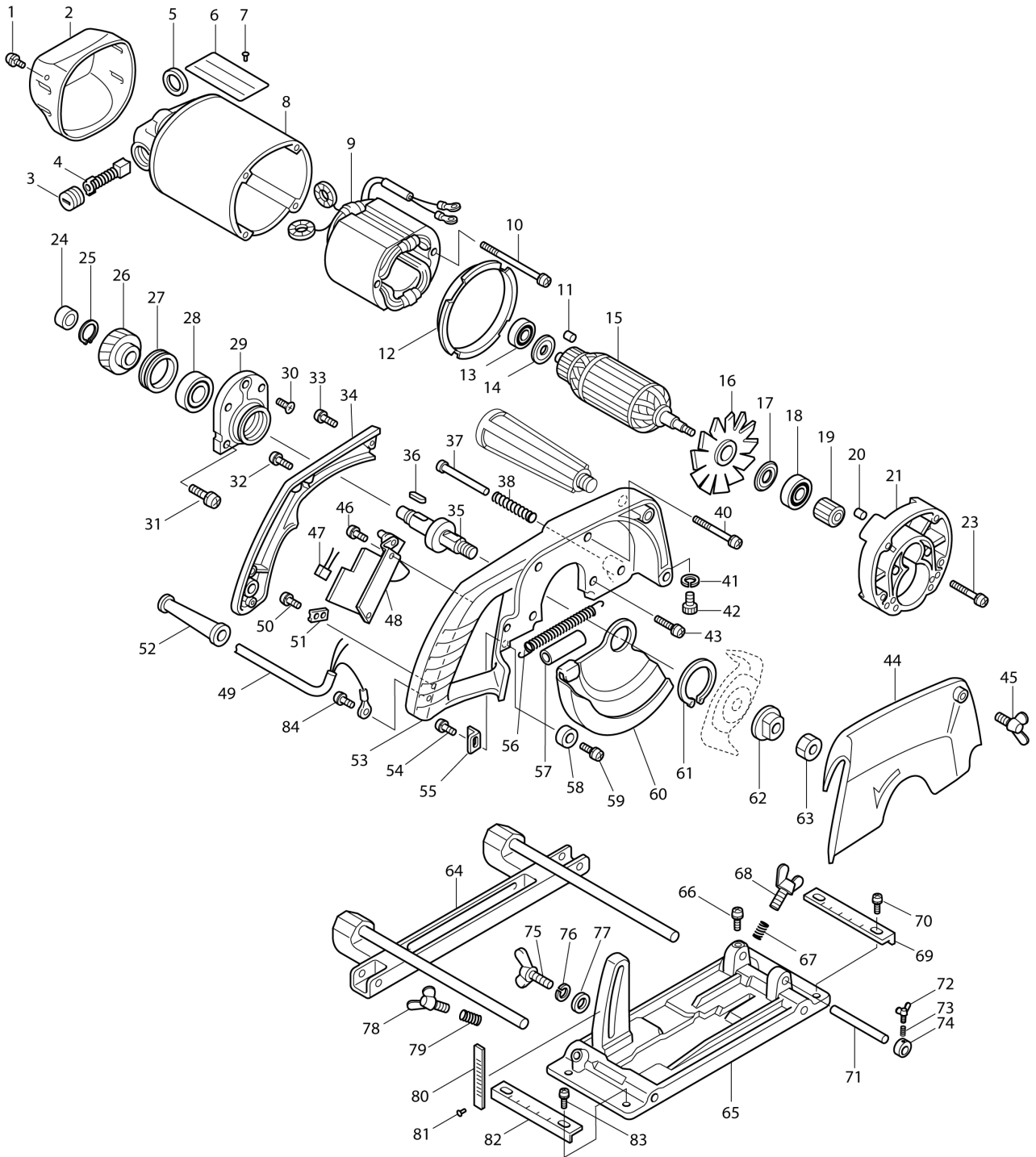
# Diagram / Parts List

**3501N**

**GROOVE CUTTER**



# (TH) 3501N / GROOVE CUTTER



<b>TH</b>	<b>THAILAND</b>
-----------	-----------------

### 3501N / GROOVE CUTTER

Item	Sub	Parts No.	Parts Description	Qty	I/C	E/C No.	Close No.	Remark
001		911211-1	PAN HEAD SCREW M5X12	2				
002		284034-3	REAR COVER	1			A8294	
002-1		284072-5	REAR COVER	1	<	A8294		
003		643650-4	BRUSH HOLDER CAP 6.5-13.5	2			B0305	
003-1		643650-4	BRUSH HOLDER CAP 6.5-13.5	2	O	B0305		
004-2		181044-0	CARBON BRUSH CB-153	1			85070	
004-3		B-80329	CARBON BRUSH SET CB-153A	1	<	85070		
005		681002-1	INSULATION WASHER	2				
006-1		858576-9	NAME PLATE 3501N	1				
008		156150-0	MOTOR HOUSING	1			A8294	
	C10	643653-8	BRUSH HOLDER 6.5-13.5	2			A8294	
	C20	913206-0	SET SCREW M5X8	2			A8294	
	D10		INC. 11				A8294	
008-1		143400-2	MOTOR HOUSING COMPLETE	1	<	A8294		
	C10	643653-8	BRUSH HOLDER 6.5-13.5	2		A8294		
	C20	913206-0	SET SCREW M5X8	2		A8294		
	D10		INC. 11			A8294		
009E		524055-6	FIELD ASS'Y 220V	1				
	C10	654020-2	RING TERMINAL	2				
	C20	654502-4	CONNECTOR P-2	2				
010-1		911938-3	PAN HEAD SCREW M5X85	2				
011		263002-9	RUBBER PIN 4	1				
012		343006-8	BAFFLE PLATE	1				
013		211066-7	BALL BEARING 6200LLB	1				
014		213051-6	DUST SEAL 10	1				
015C		514485-9	ARMATURE ASS'Y 220V	1				
	D10		INC. 13,14,16-18					
016-1		241513-4	FAN 92	1				
017		213202-1	DUST SEAL 15	1				
018		211206-7	BALL BEARING 6202LLB	1				
019		221608-9	HELICAL GEAR 16	1			D1368	
019-1		227815-2	HELICAL GEAR 16	1	<	D1368		
020		263005-3	RUBBER PIN 6	1				
021		157027-2	GEAR HOUSING	1			A8294	
	D10		INC. 20				A8294	
021-1		143401-0	GEAR HOUSING COMPLETE	1	<	A8294		
	D10		INC. 20			A8294		
023-1		265013-0	+ PAN HEAD SCREW M5X45	2	S			
024		212101-4	NEEDLE BEARING 1210	1				
025		961057-5	RETAINING RING S-17	1				
026		221609-7	HELICAL GEAR 43	1				
027		285810-8	BEARING RETAINER 29-42	1				
028		211256-2	BALL BEARING 6203LLB	1				
029		312924-1	BEARING BOX	1				
031		911236-5	PAN HEAD SCREW M5X22	4				
032		911151-3	PAN HEAD SCREW M4X28	3				
033		911111-5	PAN HEAD SCREW M4X10 WITH W	1				
034		312901-3	HANDLE COVER	1				
034-1		316445-5	HANDLE COVER	1	O	47521		
034-2		317392-3	HANDLE COVER	1	X	61182	A8294	
034-3		319067-0	HANDLE COVER	1	<	A8294		
035		325418-7	SPINDLE	1				
036		254206-4	KEY 4	1				
037		325513-3	STOPPER	1				
038		231238-8	COMPRESSION SPRING 8	1				
040-1		265012-2	+ PAN HEAD SCREW M5X55	2	S			
041		942101-7	SPRING WASHER 5	1				
042		922202-7	HEX. SOCKET HEAD BOLT M5X8	1				
043		911236-5	PAN HEAD SCREW M5X22	2				
044		312902-1	CUTTER COVER	1			A8294	
044-1		319065-4	CUTTER COVER	1	<	A8294		
045		924336-2	WING BOLT M6X25	1				
046		911106-8	PAN HEAD SCREW M4X8	2				
048		651007-5	SWITCH NPAHR2-2	1				
048-1		651016-4	SWITCH HPAHR2-2	1	O	55297		

A:3501N(H)

Interchange  
O : Yes  
X : No  
< : the new part can be substituted for the current.  
> : the current part can be substituted for the new.  
S : Interchangeable as a set.

<b>TH</b>	<b>THAILAND</b>
-----------	-----------------

### 3501N / GROOVE CUTTER

Item	Sub	Parts No.	Parts Description	Qty	I/C	E/C No.	Close No.	Remark
049R1		691346-1	POWER SUPPLY CORD 1.25-3-5.0	1				
050-1		911123-8	PAN HEAD SCREW M4X14	2				
050-2		911133-5	PAN HEAD SCREW M4X18	2	S	47521		
051		687600-9	STRAIN RELIEF	1				
051-1		687054-0	STRAIN RELIEF	1	S	47521		
052		682506-6	CORD GUARD 12-90	1				
053		312900-5	CUTTER CASE	1				
053-1		316444-7	CUTTER CASE	1	S	47521		
053-2		317277-3	CUTTER CASE	1	O	58217A		
053-3		317391-5	CUTTER CASE	1	X	61182	A8294	
053-4		319063-8	CUTTER CASE	1	<	A8294		
054		911109-2	PAN HEAD SCREW M4X8	1				
055		816005-8	ARROW PLATE	1				
056		231735-4	TENSION SPRING 4	1				
057		412032-9	VINYL TUBE 6.3X7.9X60	1				
058		262024-6	URETHANE RING 8	1				
059		251267-5	+ PAN HEAD SCREW M6	1				
060		164444-9	SAFETY COVER	1				
061		961202-2	RETAINING RING S-45	1				
062		224002-4	FLANGE 35	1				
063		931602-0	HEX. NUT M12	1				
064		164443-1	GUIDE RULE	1				
065-1		154274-6	BASE COMPLETE	1			A8294	
	D10		INC. 80				A8294	
065-2		143399-1	BASE COMPLETE	1	<	A8294		
	D10		INC. 80			A8294		
066		911202-2	PAN HEAD SCREW M5X8	1				
067		231005-1	COMPRESSION SPRING 7	1				
068		924336-2	WING BOLT M6X25	1				
069-1		812051-9	SCALE PLATE	1				
070		911109-2	PAN HEAD SCREW M4X8	2				
071		256064-4	PIN 10	1				
075		251854-0	WING BOLT M8X25	1				
076		942201-3	SPRING WASHER 8	1				
077		253022-1	FLAT WASHER 8	1				
078		924326-5	WING BOLT M6X20	1				
079		231005-1	COMPRESSION SPRING 7	1				
080-1		812006-4	SCALE PLATE	1				
082		812008-0	SCALE PLATE	1				
083		911109-2	PAN HEAD SCREW M4X8	2				
084		652014-1	PAN HEAD SCREW M4X8	1				
400		224106-2	INNER FLANGE 56	1				
401		224051-1	FLANGE 35	1				
402		224003-2	OUTER FLANGE 56	1				
403		792033-6	COMBINATION SAW BLADE 190	1			84848	AEPD-016/96
403-1		A-87507	T.C.T.SAW BLADE 190X24TX20	1	O	84848		AEPD-016/96
404		793042-8	CUTTER BLADE 120-21.0	1				
405		161025-0	GUIDE RULE F/SAW	1				
406		273404-1	GRIP 37	1				
407		133473-3	SHIPLAPPING SCALE ASS'Y	1				
	D10		INC. 408					
408		911306-0	PAN HEAD SCREW M6X10	2				
409		824002-0	PLASTIC CASE	1				
410		783002-8	(+) SCREWDRIVER 2	1				
411-1		781029-2	WRENCH 21	1				
412		781206-6	WRENCH 19	1				
413		794063-3	DRESSING STONE 100-1200	1				
414-1		821082-7	WOODEN CARRYING CASE	1				

A:3501N(H)

Interchange  
 O : Yes  
 X : No  
 < : the new part can be substituted for the current.  
 > : the current part can be substituted for the new.  
 S : interchangeable as a set.