

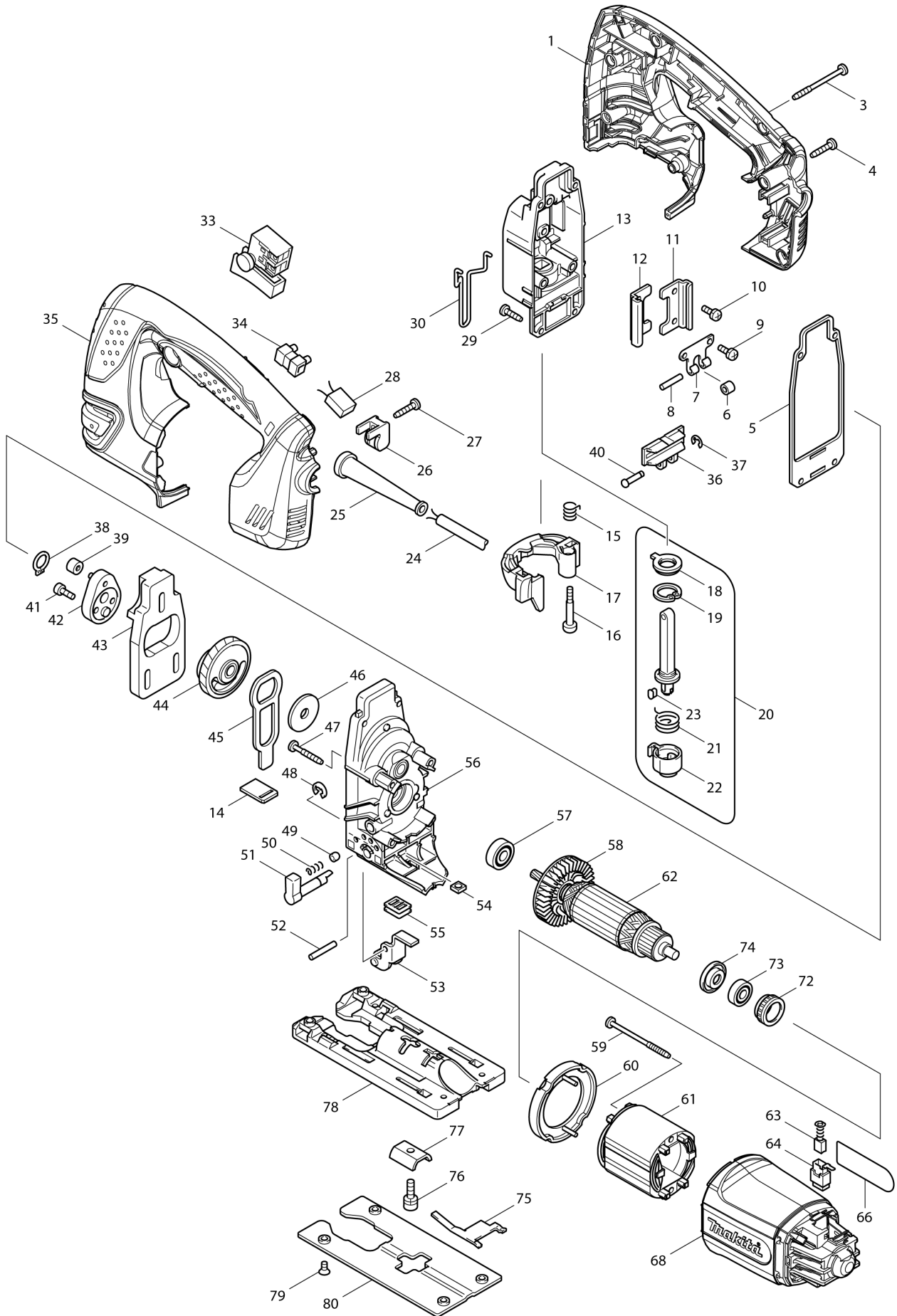


# Diagram / Parts List

**4350T**  
**JIG SAW**



(TH) 4350T / JIG SAW



TH	THAILAND
----	----------

### 4350T / JIG SAW

Item	Sub	Parts No.	Parts Description	Qty	I/C	E/C No.	Close No.	Remark
001		188285-9	HANDLE SET	1				
	D10		INC. 35					
002		265995-6	TAPPING SCREW 4X18	1				
003		266091-3	TAPPING SCREW 4X50	1				
004		265995-6	TAPPING SCREW 4X18	5				
005		442138-9	PACKING	1				
006		214031-5	PLANE BEARING 4	1				
007		232207-2	LEAF SPRING	1				
008		256117-9	PIN 4	1				
009		911111-5	PAN HEAD SCREW M4X10 WITH W	2				
010		911111-5	PAN HEAD SCREW M4X10 WITH W	2				
011		345240-6	LINEAR GUIDE	1				
012		345240-6	LINEAR GUIDE	1				
013		153338-3	GEAR HOUSING COVER COMPLETE	1				
	C10	253313-0	THIN WASHER 14	1				
	C20	257250-0	RING 20	1				
	C30	421815-6	DUST SEAL 8	1				
014		417839-8	SEAL PLATE	1				
015		231659-4	TORSION SPRING 6	1				
016		265026-1	+ PAN HEAD SCREW M4	1				
017		419820-5	TOOL OPENER	1				
018		421817-2	DUST COVER	1				
019		962068-3	RETAINING RING R-18	1				
020		135060-4	ROD ASS'Y	1				
	C10	165326-8	ROD	1				
	D10		INC. 18,19,21-23					
021		231660-9	TORSION SPRING 15	1				
022		310136-0	BLADE HOLDER	1				
023		310135-2	PUSH PIN	1				
024		666066-6	POWER SUPPLY CORD 1.0-2-2.5	1			DS354	
024-1		660465-4	POWER SUPPLY CORD 1.0-2-2.5	1	<	DS354		
025		682559-5	CORD GUARD 8	1				
026		687260-7	STRAIN RELIEF	1				
027		265995-6	TAPPING SCREW 4X18	1				
029		266034-5	TAPPING SCREW CT 4X16	4				
030		324233-6	SAFETY WIRE	1				
033		650231-7	SWITCH TGL115CDT-1	1				
035		188285-9	HANDLE SET	1				
	D10		INC. 1					
036		310134-4	SLIDER	1				
037		961017-7	STOP RING E-3	1				
038		961004-6	RETAINING RING (EXT) S-8	1				
039		212014-9	NEEDLE BEARING 407	1			A3527	
039-1		212092-9	NEEDLE BEARING 407	1	O	A3527		
040		268090-1	PIN 4	1				
041		265353-6	HEX. SOCKET HEAD BOLT M4X12	2			DR366	
041-1		265D42-7	HEX. SOCKET HEAD BOLT M4X12	2	O	DR366		
042		153336-7	CRANK COMPLETE	1				
043		313108-4	BALANCE PLATE	1				
044		153335-9	GEAR COMPLETE	1				
	C10	212043-2	NEEDLE BEARING 810	2				
045		345235-9	PUSH PLATE	1				
046		253877-4	FLAT WASHER 8	1				
047		266050-7	TAPPING SCREW 4X30	4				
048		961018-5	STOP RING E-5	1				
049		286032-3	CAP 5	1				
050		233139-6	COMPRESSION SPRING 3	1				
051		272244-4	LEVER 17	1			A2266	
051-1		272280-0	LEVER 17	1	<	A2266		
052		268063-4	PIN 4	1				
053		153334-1	RETAINER COMPLETE	1				
054		252171-1	SQUARE NUT M5-8	1				
055		421816-4	DUST SEAL	1				
056		153337-5	GEAR HOUSING COMPLETE	1				
057		210005-4	BALL BEARING 608DDW	1				

A:4350T(H)

Interchange  
 O : Yes  
 X : No  
 < : the new part can be substituted for the current.  
 > : the current part can be substituted for the new.  
 S : Interchangeable as a set.

