



TH	THAILAND
----	----------

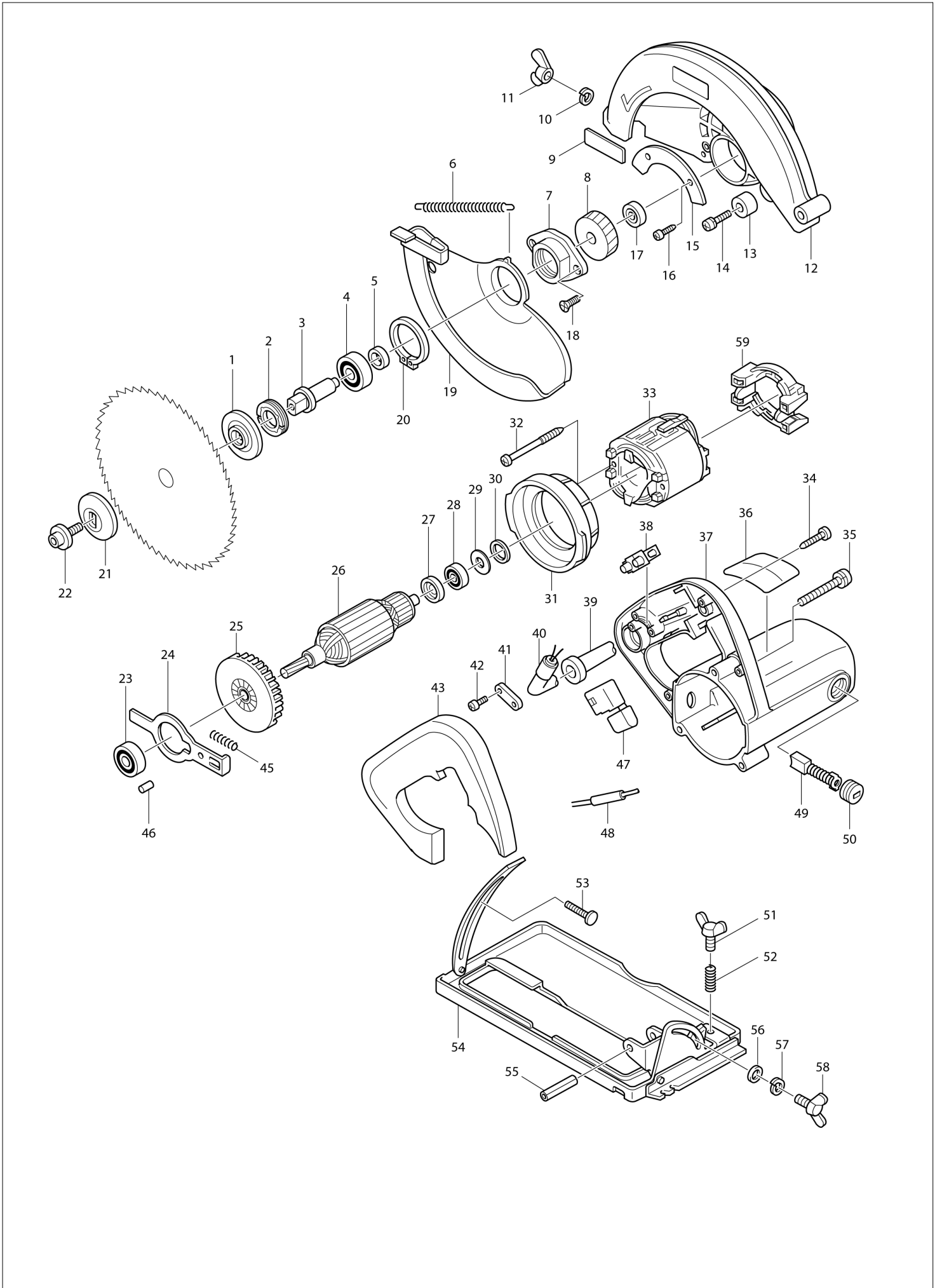
Diagram / Parts List

5806B

CIRCULAR SAW 185MM



(TH) 5806B / CIRCULAR SAW 185MM



TH	THAILAND
-----------	-----------------

5806B / CIRCULAR SAW 185MM

Item	Sub	Parts No.	Parts Description	Qty	I/C	E/C No.	Close No.	Remark
001		224180-0	INNER FLANGE 45	1				
002		285802-7	BEARING RETAINER 19-33	1				
003		322838-6	SPINDLE	1				
004		211129-9	BALL BEARING 6201DDW	1				
005		257173-2	RING 12	1				
006		231808-3	TENSION SPRING 4	1				
007		316849-1	BEARING BOX	1				
008		226461-8	HELICAL GEAR 47	1				
009		819063-3	MAKITA LABEL	1			60428	
010		942151-2	SPRING WASHER 6	1			C3118	
010-1		253428-3	SPRING WASHER 6	1	O	C3118	D1189	
011		934301-3	WING NUT M6	1				
012		152520-1	BLADE CASE COMPLETE	1				
	D10		INC. 46					
012-1		152584-5	BLADE CASE COMPLETE	1	X	60428	68025	
	D10		INC. 46				68025	
012-2		153664-0	BLADE CASE COMPLETE	1	O	68025	81574	
	D10		INC. 46			68025	81574	
012-3		153664-0	BLADE CASE COMPLETE	1	O	81574		
	D10		INC. 46			81574		
013		262502-6	RUBBER SLEEVE 6	1				
014		251247-1	+ PAN HEAD SCREW M6X20	1				
015		344365-3	COVER PLATE	1				
016		266026-4	TAPPING SCREW BIND CT 4X12	2				
017		211014-6	BALL BEARING 606	1			82626	
017-1		211012-0	BALL BEARING 606ZZ	1	O	82626		
018		912222-9	COUNTERSUNK HEAD SCREW M5X16	2				
018-1		265034-2	+ COUNTERSUNK HEAD SCREW M5X16	2	X	52125		
019		165051-1	SAFETY COVER	1			68025	
019-1		165367-4	SAFETY COVER	1	O	68025		
020		961155-5	RETAINING RING S-38	1				
021		224329-2	OUTER FLANGE 45	1				
022		266024-8	HEX. SOCKET HEAD BOLT M6X20	1				
023		211097-6	BALL BEARING 6000LLB	1				
024		344317-4	SHAFT LOCK	1				
025		241858-0	FAN 70	1				
026		516273-0	ARMATURE ASS'Y 220V	1				
	D10		INC. 23,25,27,28					
027		681613-2	INSULATION WASHER	1				
028		211033-2	BALL BEARING 608LB	1				
029		253192-6	FLAT WASHER 14	1				
030-1		261109-5	RUBBER WASHER 13	1				
031		415873-2	BAFFLE PLATE	1				
032-1		266044-2	TAPPING SCREW 5X60	2				
033		634158-9	FIELD 220V	1				
033-1		634413-9	FIELD 220V	1	X	62143		
034-1		266045-0	TAPPING SCREW 4X20	4				
035		911268-2	PAN HEAD SCREW M5X45	3				
036		851562-9	NAME PLATE 5806B	1			97467	
036-1		851562-9	NAME PLATE 5806B	1	O	97467		
037A1		150952-6	MOTOR HOUSING COMPLETE	1	X	56070		
	C10	643708-9	BRUSH HOLDER 5-11	2				
037A2		152869-9	MOTOR HOUSING COMPLETE	1	X	62411A		
	C10	643708-9	BRUSH HOLDER 5-11	2				
039A		682505-8	CORD GUARD 10-90	1			DU603	
039A1		682106-2	CORD GUARD	1	S	DU603		
040J		691015-4	POWER SUPPLY CORD 0.75-2-2.5	1			DU603	
040J1		660518-9	POWER SUPPLY CORD 0.75-2-2.5	1	S	DU603		
041A		687053-2	STRAIN RELIEF	1			A7453	
041A1		687140-7	STRAIN RELIEF	1	O	A7453	DU603	
041A2		687124-5	STRAIN RELIEF	1	S	DU603		
042-2		265995-6	TAPPING SCREW 4X18	2				
043		415978-8	HANDLE COVER	1				
045		233092-6	COMPRESSION SPRING 5	1				
046		263002-9	RUBBER PIN 4	1				

A:5806B(H)
C:5806B(H)

Interchange
O : Yes
X : No
< : the new part can be substituted for the current.
> : the current part can be substituted for the new.
S : Interchangeable as a set.

