



Satisfy Professional's Needs

Table Saw 2712 315mm (12-3/8")

Heavy-duty induction motor for quiet start-ups and operation, and a long, maintenance-free service life



Powerful
2,000W

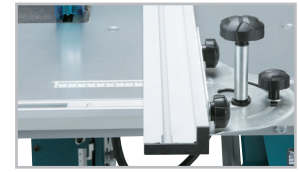
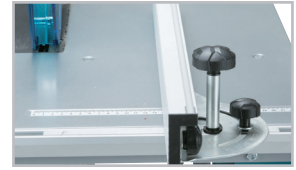
Two wheeled legs for easy mobility



Two carry handles for added mobility



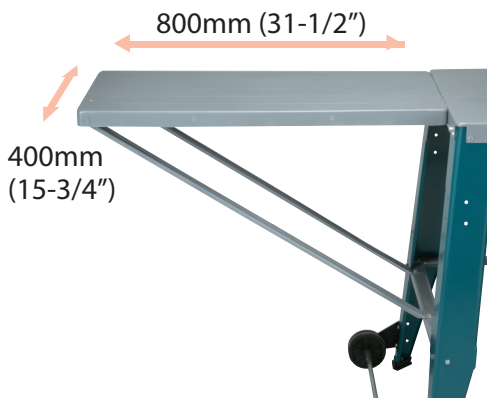
0-45 degrees bevel cut



Rip fence (Guide rule)

Removable Guide rule enables to cut thin and wide materials.

Extension table




Connectable to a vacuum cleaner



Table Saw

2712 315mm (12-3/8")

 Dust Collecting

Continuous rating Input	2,000W
Max cutting capacity	at 0 degrees : 85mm (3-3/8") at 45 degrees : 58mm (2-1/4")
Blade diameter	315mm (12-3/8")
No load speed (rpm)	50Hz: 2,950 60Hz: 3,400
Bevel cutting capacity (degrees)	0 - 45
Dimensions (L x W x H)	700x1,670x810mm (27-1/2"x65-3/4"x32")
Net weight*	52.9kg (116.6lbs)
Power supply cord	3.0m (9.8ft)

Standard Equipment: TCT.Saw Blade, Rip Fence, Wrench x4, Push Stick, Push Block, Extension Table

*weight according to EPTA-Procedure 01/2003 *Items of standard equipment and specifications may vary by country or area.*

Makita Corporation

3-11-8 Sumiyoshi-cho, Anjo, Aichi, 446-8502 Japan

PRINTED IN JAPAN BE-AD