



TH	THAILAND
----	----------

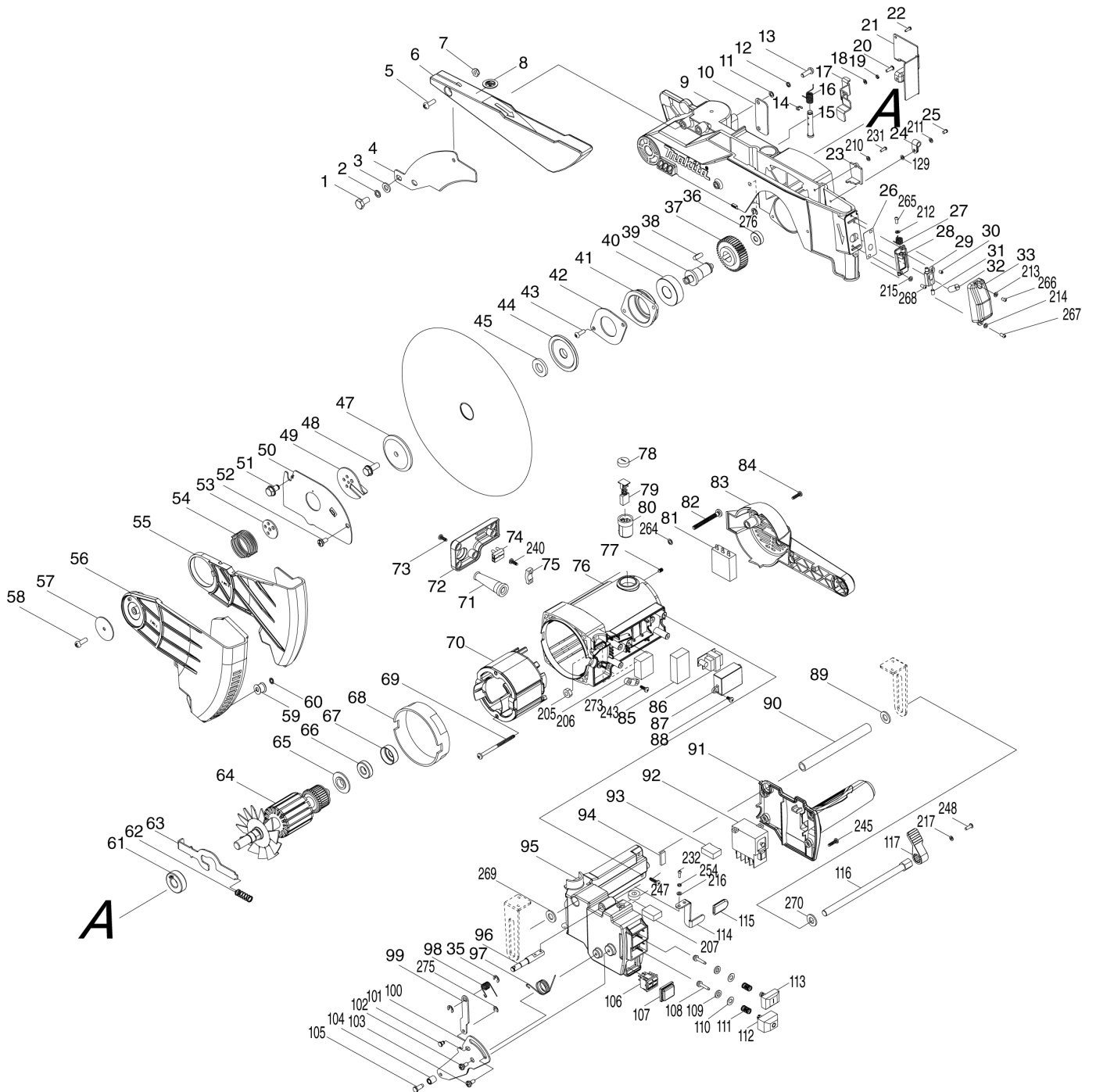
Diagram / Parts List

LH1201FL

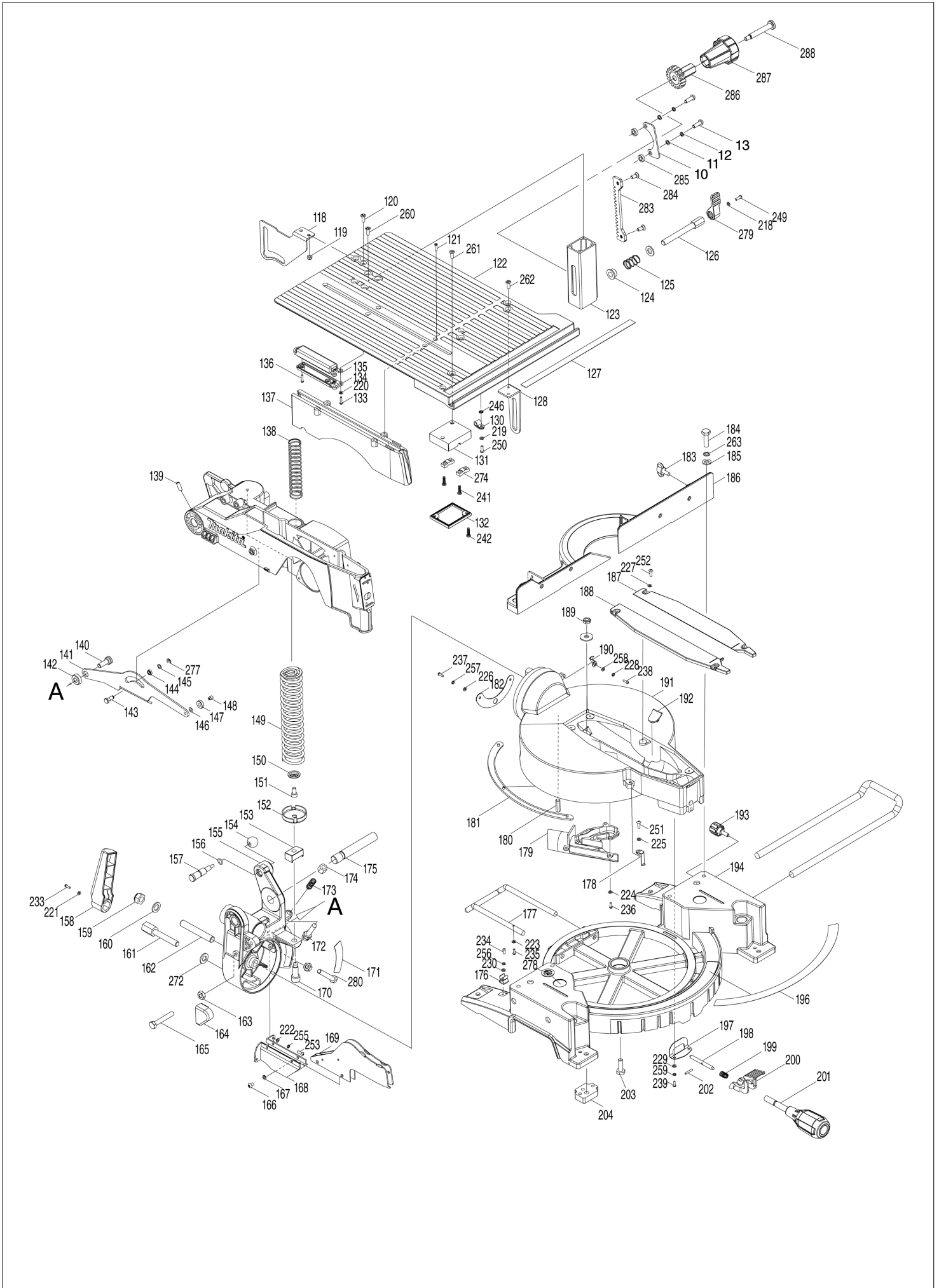
305MM TABLE TOP MITER SAW



(TH) LH1201FL / 305MM TABLE TOP MITER SAW



(TH) LH1201FL / 305MM TABLE TOP MITER SAW



TH	THAILAND
----	----------

LH1201FL / 305MM TABLE TOP MITER SAW

Item	Sub	Parts No.	Parts Description	Qty	I/C	E/C No.	Close No.	Remark
001		JM23300009	HEX BOLT M8X16	2				
002		JM23300010	SPRING WASHER 8	2				
003		JM23300011	FLAT WASHER 8	2				
004		JM23300012	RIVING KNIFE	1				
005		JM23300013	PAN HEAD SCREW M6X16	1				
006		JM23300300	UP BLADE GUARD COMPLETE	1				
	D10		INC. 8					
007		JM23300015	HEX LOCK NUT M6	1			Y08466	
007-1		JM23300015	HEX LOCK NUT M6	1	O	Y08466		
008		JM27080060	WARNING LABEL	1			Y08466	
008-1		JM2708B060	CAUTION LABEL	1	X	Y08466		
009		JM23300244	BLADE CASE COMPLETE	1			Y08466	
009-1		JM23300244	BLADE CASE COMPLETE	1	O	Y08466		
	D10		INC. 36,143			Y08466		
010		JM23300239	FENCE PRESS PLAT	1				
011		JM23300019	FLAT WASHER 6	2				
012		JM23300020	SPRING WASHER 6	2				
013		JM23300248	PAN HEAD SCREW M6X16	2				
014		JM23300022	E SHAPE RETAINING RING 5	1			Y08466	
014-1		JM23300022	E SHAPE RETAINING RING 5	1	O	Y08466		
015		JM23300023	LIFTING LIMITED PLATE SHAFT	1				
016		JM23300024	TORSION SPRING	1				
017		JM23300025	LIFTING LIMITED PLATE	1				
018		JM23300026	FLAT WASHER 4	2				
019		JM23300027	SPRING WASHER 4	2				
020		JM23300028	PAN HEAD SCREW M4X12	2				
021		JM23300029	PROTECTION COVER	1				
022		JM23300030	PAN HEAD SCREW M4X10	2				
023		JM23300031	LASER TERMINAL BOX COVER	1				
024		JM23300032	CORD CLAMP	1				
025		JM23300033	PAN HEAD SCREW M4X8	1				
026		JM23300034	LASER DUST-PROOF WASHER	1				
027		JM23300035	LASER SPRING	1				
028		JM23300036	LASER BRACKET	1				
029		JM23300037	LASER TURNING BRACKET	1				
030		JM23300038	HEX SOCKET SET SCREW M4X6	1				
031		JM23300039	HEX SOCKET SET SCREW M4X8	1			Y08466	
031-1		JM23300039	HEX SOCKET SET SCREW M4X8	1	O	Y08466		
032		JM23300040	LASER DIODE	1				
033		JM23300041	LASER COVER	1				
035		JM23300042	E SHAPE RETAINING RING 6	2			Y08466	
035-1		JM23300042	E SHAPE RETAINING RING 6	1	O	Y08466		
036		JM23300043	BEARING 608	1				
037		JM23300044	HELICAL GEAR 41	1			Y08466	
037-1		JM23300044	HELICAL GEAR 41	1	O	Y08466		
038		JM23300045	KEY 6X16	1				
039		JM23300046	SPINDLE	1				
040		JM23300047	BEARING 6204	1				
041		JM23300048	BEARING BRACKET	1				
042		JM23300049	BEARING COVER	1				
043		JM23300050	H.S.PAN HEAD SCREW M5X16	2			Y08466	
043-1		JM23300050	H.S.PAN HEAD SCREW M5X16	2	O	Y08466		
044		JM23300051	INNER FLANGE	1				
045		JM23100191	RING 25.4	1			Y08466	
047		JM23300053	OUTER FLANGE	1				
048		JM23300054	HEX FLANGED BOLT M8X20 LH	1			Y08466	
048-1		JM23300054	HEX FLANGED BOLT M8X20 LH	1	O	Y08466		
049		JM23300055	CENTER PLATE	1				
050		JM23300056	GUARD FIX PLATE	1				
051		JM23300057	GUARD SCREW M8X12	1				
052		JM23300058	STEPPED SCREW M5X12	1			Y08466	
052-1		JM23300058	STEPPED SCREW M5X12	1	O	Y08466		
053		JM23300059	CENTER WASHER	1				
054		JM23300060	GUARD TORSION SPRING	1				
055		JM23300061	INNER GUARD	1				

A:

Interchange
O : Yes
X : No
< : the new part can be substituted for the current.
> : the current part can be substituted for the new.
S : Interchangeable as a set.

TH	THAILAND
----	----------

LH1201FL / 305MM TABLE TOP MITER SAW

Item	Sub	Parts No.	Parts Description	Qty	I/C	E/C No.	Close No.	Remark
056		JM23300310	OUTER GUARD COMPLETE	1				
	D10		INC. 59,60					
057		JM23300063	FIX PLATE	1				
058		JM23300064	PAN HEAD SCREW M5X25	1				
059		JM23300065	GUARD ROLLER SLEEVE	1				
060		JM23300066	PUSH NUT 5	1			Y08466	
060-1		JM23300066	PUSH NUT 5	1	O	Y08466		
061		JM23300067	BEARING 6202-RS	1				
062		JM23300068	COMPRESSION SPRING	1				
063		JM23300069	SHAFT LOCK PLATE	1				
064		JM23300001	ARMATURE 230V	1				
	D10		INC. 61, 65, 66			Y08466		
065		JM23300070	DUST PROOF COVER	1				
066		JM23300071	BEARING 6001-RS	1				
067		JM23300072	BUFFER PAD	1				
068		JM23300073	BAFFLE PLATE	1				
069		JM23300074	TAPPING SCREW ST4.8X75	2				
070		JM23300003	FIELD 230V	1				
071		JM23300075	PROTECTION TUBE	1				
072		JM23300076	TERMINAL BOX COVER	1				
073		JM23300077	TAPPING SCREW ST4.2X12	5			Y08466	
073-1		JM23300088	TAPPING SCREW ST4.2X16	5	X	Y08466		
074		JM23300078	CONNECTION TERMINAL	1				
075		JM23300079	CORD CLAMP	1				
076		JM23300320	MOTOR HOUSING COMPLETE	1				
	D10		INC. 77,80				Y08466	
077		JM23300081	H.S.SETTING SCREW M5X8	2			Y08466	
078		JM23300082	CARBON BRUSH COVER	2				
079		JM23000123	CARBON BRUSH 2PCS/SET	1				
080		JM23300084	CARBON BRUSH HOLDER	2			Y08466	
081		JM23300085	SOFT STARTER HV	1			Y08466	
081-1		JM23300085	SOFT STARTER HV	1	O	Y08466		
082		JM23300086	PAN HEAD SCREW M6X55	4				
083		JM23300087	REAR COVER	1				
084		JM23300088	TAPPING SCREW ST4.2X16	4				
085		JM23300089	SPONGE 70X45X13	1			Y08466	
085-1		JM23300089	SPONGE 70X45X13	1	O	Y08466		
086		JM23300090	TRANSFORMER HV	1			Y08466	
086-1		JM23300090	TRANSFORMER HV	1	O	Y08466		
087		JM23300091	TRANSFORMER COVER	1				
088		JM23300092	TAPPING SCREW ST4.2X8	2			Y08466	
088-1		JM23300077	TAPPING SCREW ST4.2X12	2	X	Y08466		
089		JM23300093	FLAT WASHER 10	1				
090		JM23300094	TABLE LOCK TUBE	1				
091		JM23300095	HANDLE COVER	1				
092		JM23300096	SWITCH HV	1			Y08466	
092-1		JM23300096	SWITCH HV	1	O	Y08466		
093		JM23300097	CAPACITOR	1				
094		JM23300098	SPONGE B	1				
095		JM23300099	HANDLE	1				
096		JM23300100	TURNING SHAFT	1				
097		JM23300101	TORSION SPRING	1				
098		JM23300102	TORSION SPRING	1				
099		JM23300103	LOCK LEVER B	1				
100		JM23300330	LOCKING PLATE COMPLETE	1				
	D10		INC. 104,105				Y08466	
101		JM23300105	FLANGED PIN 5X7	1			Y08466	
101-1		JM23300105	FLANGED PIN 5X7	1	O	Y08466		
102		JM23300106	STEPPED SCREW M6X12	1			Y08466	
102-1		JM23300106	STEPPED SCREW M6X12	1	O	Y08466		
103		JM23300107	STEPPED SCREW M5X11	1			Y08466	
103-1		JM23300107	STEPPED SCREW M5X11	1	O	Y08466		
104		JM23300108	TURNING SLEEVE	1			Y08466	
105		JM23300109	PIN	1			Y08466	
106		JM23300110	SWITCH HY39-2	1				

A:

Interchange
O : Yes
X : No
< : the new part can be substituted for the current.
> : the current part can be substituted for the new.
S : Interchangeable as a set.

TH	THAILAND
----	----------

LH1201FL / 305MM TABLE TOP MITER SAW

Item	Sub	Parts No.	Parts Description	Qty	I/C	E/C No.	Close No.	Remark
107		JM23300111	SWITCH COVER HY39-2	1				
108		JM23300112	PRESS BUTTON CAP A	1			Y08466	
108-1		JM23300112	PRESS BUTTON CAP A	1	O	Y08466		
109		JM23300113	FELT RING	2				
110		JM23300114	WASHER	2				
111		JM23300115	SPRING	2				
112		JM23300116	SWITCH OFF BUTTON	1				
113		JM23300117	SWITCH ON BUTTON	1				
114		JM23300118	LOCK LEVER	1				
115		JM23300119	LEVER CAP	1				
116		JM23300120	TABLE LOCK BOLT	1				
117		JM23300121	TABLE LOCKING LEVER	1				
118		JM23300245	INTERLOCK PLATE	1				
119		JM23300123	HEX LOCK NUT M5	2			Y08466	
119-1		JM23300123	HEX LOCK NUT M5	2	O	Y08466		
120		JM23300124	FLAT HEAD SCREW M5X14	2			Y08466	
120-1		JM23300124	FLAT HEAD SCREW M5X14	2	O	Y08466		
121		JM23300125	TAPPING SCREW ST3.5X14	4				
122		JM23300126	WORKING TABLE	1				
123		JM23300236	TABLE LIFTING SQUARE TUBE	1				
124		JM23300128	PRESS WASHER	1				
125		JM23300129	LOCK SPRING	1				
126		JM23300130	TABLE LOCKING BOLT M10X80	1			Y08466	
126-1		JM23300130	TABLE LOCKING BOLT M10X80	1	O	Y08466		
127		JM23300131	TABLE SCALE LABEL	1				
128		JM23300132	TABLE SUPPORT PLATE	1			Y08466	
128-1		JM23300132	TABLE SUPPORT PLATE	2	O	Y08466		
129		JM23300133	OUTER STAR WASHER 4	1			Y08466	
130		JM23300134	CORD CLIP	1				
131		JM23300135	TERMINAL BOX	1				
132		JM23300136	TERMINAL BOX COVER	1				
133		JM23300137	PAN HEAD SCREW M4X14	3				
134		JM23300138	LAMP COVER	1				
135		JM23300139	LAMP BOX	1				
136		JM23300140	TAPPING SCREW ST3.5X9.5	2			Y08466	
136-1		JM23300140	TAPPING SCREW ST3.5X9.5	2	O	Y08466		
137		JM23300141	UNDER GUARD	1				
138		JM23300142	COMPRESSION SPRING	1				
139		JM23300143	HEX SOCKET SET SCREW M6X16	1			Y08466	
139-1		JM23300143	HEX SOCKET SET SCREW M6X16	1	O	Y08466		
140		JM23300144	LINK PLATE SCREW	1				
141		JM23300340	LINK PLATE COMPLETE	1				
	D10		INC. 146-148				Y08466	
142		JM23300146	SLEEVE	1				
143		JM23300147	LINK PIN	1				
144		JM23300148	LINK PIN RING	1				
145		JM23300149	THIN FLAT WASHER 6	1				
146		JM23300150	FLAT WASHER 5	1			Y08466	
147		JM23300151	BEARING 619-6-2Z	1			Y08466	
148		JM23300152	LINK PIN SHAFT	1			Y08466	
149		JM23300153	COMPRESSION SPRING	1				
150		JM23300154	SPRING COVER	1				
151		JM23300155	HEX SOCKET BOLT M6X12	1			Y08466	
151-1		JM23300155	HEX SOCKET BOLT M6X12	1	O	Y08466		
152		JM23300156	SPRING BRACKET	1				
153		JM23300157	SPRING SUPPORT BRACKET	1				
154		JM23300158	BALL TYPE KNOB	1				
155		JM23300159	BEVEL BRACKET	1			Y08466	
156		JM23300160	O TYPE RING 8.5X1.8	1			Y08466	
156-1		JM23300160	O TYPE RING 8.5X1.8	1	O	Y08466		
157		JM23300161	LOCK PIN	1				
158		JM23300162	BEVEL LOCK HANDLE	1				
159		JM23300163	HEX LOCK NUT M12	1			Y08466	
159-1		JM23300163	HEX LOCK NUT M12	1	O	Y08466		
160		JM23300164	FLAT WASHER 12	1				

A:

Interchange
O : Yes
X : No
< : the new part can be substituted for the current.
> : the current part can be substituted for the new.
S : Interchangeable as a set.

TH	THAILAND
-----------	-----------------

LH1201FL / 305MM TABLE TOP MITER SAW

Item	Sub	Parts No.	Parts Description	Qty	I/C	E/C No.	Close No.	Remark
161		JM23300165	BEVEL LOCK ROD	1				
162		JM23300166	BEVEL SHAFT	1				
163		JM23300167	HEX NUT M8	3			Y08466	
163-1		JM23300167	HEX NUT M8	1	O	Y08466		
164		JM23300168	BUFFER WASHER	1				
165		JM23300169	HEX BOLT M8X50	1				
166		JM23300170	HEX SOCKET PAN HEAD SCREW M5X8	4			Y08466	
166-1		JM23300170	HEX SOCKET PAN HEAD SCREW M5X8	4	O	Y08466		
167		JM23300171	SPRING WASHER 5	4				
168		JM23300172	GUARD FIX PLATE	1				
169		JM23300173	GUARD BRACKET	1				
170		JM23300174	SPRING SCREW	1				
171		JM23300175	BEVEL SCALE LABEL	1				
172		JM23300176	HEX BOLT M8X44	1			Y08466	
172-1		JM23300176	HEX BOLT M8X44	1	O	Y08466		
173		JM23300178	SPRING	1				
174		JM23300177	CUTTING DEPTH ADJUSTING NUT	1				
175		JM23300179	PIVOT	1				
176		JM23300180	WRENCH CLIP	1				
177		JM23300181	BACK SUPPORT	1				
178		JM23300182	MITER POINTER	1				
179		JM23300183	DUST PORT	1				
180		JM23300184	SPRING PIN 4X35	1			Y08466	
180-1		JM23300184	SPRING PIN 4X35	1	O	Y08466		
181		JM23300185	SLIDE PLATE	2			Y08466	
181-1		JM23300185	SLIDE PLATE	2	O	Y08466		
182		JM23300186	DUST-PROOF COVER	1				
183		JM23300187	WING KNOT	2				
184		JM23300188	HEX BOLT M8X30	4				
185		JM23300189	FLAT WASHER 8 (L)	5			Y08466	
185-1		JM23300189	FLAT WASHER 8 (L)	4	O	Y08466		
186		JM23300190	GUIDE FENCE	1				
187		JM23300191	TABLE KERF RIGHT	1				
188		JM23300192	TABLE KERF LEFT	1				
189		JM23300193	HEX LOCK NUT M8	1			Y08466	
189-1		JM23300193	HEX LOCK NUT M8	1	O	Y08466		
190		JM23300194	BEVEL POINTER	1				
191		JM23300195	MITER WORKING TABLE	1				
192		JM23300196	INSERT PLATE	1				
193		JM23300197	WING LOCK KNOB	2				
194		JM23300350	BASE COMPLETE	1				
	D10		INC. 196					
196		JM23300199	MITER SCALE LABEL	1				
197		JM23300200	WORKING TABLE PRESS PLAE A	1				
198		JM23300201	MITER LOCK ROD	1				
199		JM23300202	MITER LOCK SPRING	1				
200		JM23300203	MITER LOCK PRESS PLATE	1				
201		JM23300204	TABLE TURNING KNOB	1				
202		JM23300205	WORKING TABLE LOCKING PIN	1				
203		JM23300206	HEX BOLT M8X35	1				
204		JM23300207	BUFFER PAD	4				
205		JM23300208	STRAIN & RELIEF	1				
206		JM23300209	SPONGE 50X35X5	1			Y08466	
206-1		JM23300209	SPONGE 50X35X5	1	O	Y08466		
207		JM23300210	SPONGE D	1				
208		JM23300360	ARM COMPLETE	1				
	D10		INC. 171			Y08466		
209		JM23000154	PW SUPPLY CORD H05VV-F 1-2 EU	1				
210		JM23300026	FLAT WASHER 4	1				
211		JM23300026	FLAT WASHER 4	1				
212		JM23300026	FLAT WASHER 4	1				
213		JM23300026	FLAT WASHER 4	1				
214		JM23300026	FLAT WASHER 4	1				
215		JM23300026	FLAT WASHER 4	2				
216		JM23300026	FLAT WASHER 4	2				

A:

Interchange
O : Yes
X : No
< : the new part can be substituted for the current.
> : the current part can be substituted for the new.
S : Interchangeable as a set.

TH	THAILAND
----	----------

LH1201FL / 305MM TABLE TOP MITER SAW

Item	Sub	Parts No.	Parts Description	Qty	I/C	E/C No.	Close No.	Remark
217		JM23300026	FLAT WASHER 4	1				
218		JM23300026	FLAT WASHER 4	1				
219		JM23300026	FLAT WASHER 4	1				
220		JM23300026	FLAT WASHER 4	3				
221		JM23300026	FLAT WASHER 4	1				
222		JM23300026	FLAT WASHER 4	3				
223		JM23300026	FLAT WASHER 4	1				
224		JM23300026	FLAT WASHER 4	4			Y08466	
224-1		JM23300026	FLAT WASHER 4	5	O	Y08466		
225		JM23300026	FLAT WASHER 4	1				
226		JM23300026	FLAT WASHER 4	2				
227		JM23300026	FLAT WASHER 4	4				
228		JM23300026	FLAT WASHER 4	1			Y08466	
228-1		JM23300027	SPRING WASHER 4	1	X	Y08466		
229		JM23300026	FLAT WASHER 4	2				
230		JM23300026	FLAT WASHER 4	1				
231		JM23300030	PAN HEAD SCREW M4X10	1				
232		JM23300030	PAN HEAD SCREW M4X10	2				
233		JM23300030	PAN HEAD SCREW M4X10	1				
234		JM23300030	PAN HEAD SCREW M4X10	1				
235		JM23300030	PAN HEAD SCREW M4X10	1				
236		JM23300030	PAN HEAD SCREW M4X10	4			Y08466	
236-1		JM23300030	PAN HEAD SCREW M4X10	5	O	Y08466		
237		JM23300030	PAN HEAD SCREW M4X10	2				
238		JM23300030	PAN HEAD SCREW M4X10	1				
239		JM23300030	PAN HEAD SCREW M4X10	2				
240		JM23300077	TAPPING SCREW ST4.2X12	2				
241		JM23300077	TAPPING SCREW ST4.2X12	4				
242		JM23300077	TAPPING SCREW ST4.2X12	2				
243		JM23300077	TAPPING SCREW ST4.2X12	2				
244		JM23300088	TAPPING SCREW ST4.2X16	4			Y08466	
244-1		JM23300088	TAPPING SCREW ST4.2X16	4	O	Y08466		
245		JM23300088	TAPPING SCREW ST4.2X16	4				
246		JM23300133	OUTER STAR WASHER 4	1				
247		JM23300208	STRAIN & RELIEF	1				
248		JM23300028	PAN HEAD SCREW M4X12	1				
249		JM23300028	PAN HEAD SCREW M4X12	1				
250		JM23300028	PAN HEAD SCREW M4X12	1				
251		JM23300028	PAN HEAD SCREW M4X12	1				
252		JM23300028	PAN HEAD SCREW M4X12	4				
253		JM23300028	PAN HEAD SCREW M4X12	3				
254		JM23300027	SPRING WASHER 4	2				
255		JM23300027	SPRING WASHER 4	3				
256		JM23300027	SPRING WASHER 4	1				
257		JM23300027	SPRING WASHER 4	2				
258		JM23300027	SPRING WASHER 4	1			Y08466	
258-1		JM23300026	FLAT WASHER 4	1	X	Y08466		
259		JM23300027	SPRING WASHER 4	2				
260		JM23300124	FLAT HEAD SCREW M5X14	4			Y08466	
260-1		JM23300124	FLAT HEAD SCREW M5X14	4	O	Y08466		
261		JM23300124	FLAT HEAD SCREW M5X14	2			Y08466	
261-1		JM23300124	FLAT HEAD SCREW M5X14	2	O	Y08466		
262		JM23300124	FLAT HEAD SCREW M5X14	4			Y08466	
262-1		JM23300124	FLAT HEAD SCREW M5X14	4	O	Y08466		
263		JM23300010	SPRING WASHER 8	4				
264		JM23300019	FLAT WASHER 6	4				
265		JM23300033	PAN HEAD SCREW M4X8	1				
266		JM23300033	PAN HEAD SCREW M4X8	1				
267		JM23300033	PAN HEAD SCREW M4X8	1				
268		JM23300033	PAN HEAD SCREW M4X8	2				
269		JM23300093	FLAT WASHER 10	1				
270		JM23300093	FLAT WASHER 10	1				
271		JM23300093	FLAT WASHER 10	1			Y08466	
272		JM23300093	FLAT WASHER 10	1				
273		JM23300079	CORD CLAMP	1				

A:

Interchange
O : Yes
X : No
< : the new part can be substituted for the current.
> : the current part can be substituted for the new.
S : Interchangeable as a set.

TH	THAILAND
----	----------

LH1201FL / 305MM TABLE TOP MITER SAW

Item	Sub	Parts No.	Parts Description	Qty	I/C	E/C No.	Close No.	Remark
274		JM23300079	CORD CLAMP	2				
275		JM23300022	E SHAPE RETAINING RING 5	1			Y08466	
275-1		JM27100079	E SHAPE RETAINING RING 4	1	X	Y08466		
276		JM23300022	E SHAPE RETAINING RING 5	1			Y08466	
276-1		JM23300042	E SHAPE RETAINING RING 6	1	X	Y08466		
277		JM23300022	E SHAPE RETAINING RING 5	1			Y08466	
277-1		JM23300022	E SHAPE RETAINING RING 5	1	O	Y08466		
278		JM27080060	WARNING LABEL	2			Y08466	
278-1		JM2708B060	CAUTION LABEL	2	X	Y08466		
279		JM23300121	TABLE LOCKING LEVER	1				
280		JM23300169	HEX BOLT M8X50	1				
281		JM23300226	RETAINING RING S-18	1			Y08466	
281-1		JM23300226	RETAINING RING S-18	1	O	Y08466		
282		JM23300227	PRESS BUTTON CAP L	1			Y08466	
282-1		JM23300227	PRESS BUTTON CAP L	1	O	Y08466		
283		JM23300246	LIFTING RACK	1				
284		JM23300124	FLAT HEAD SCREW M5X14	2			Y08466	
284-1		JM23300124	FLAT HEAD SCREW M5X14	2	O	Y08466		
285		JM23300247	RING	2			Y08466	
286		JM23300241	LIFTING GEAR	1				
287		JM23300242	LIFTING KNOB	1				
288		JM23300243	FIX BOLT M6X61	1			Y08466	
288-1		JM23300243	FIX BOLT M6X61	1	O	Y08466		
289		JM23310001	SUB FENCE COMPLETE	1			Y08466	
290		JM23300237	COUTERSUNK HEAD SCREW M6X35	1			Y08466	
291		JM23100110	HEX LOCK NUT M6	1			Y08466	
291-1		JM23100110	HEX LOCK NUT M6	1	O	Y08466	Y08466	
292		JM23300238	FIX PLATE	1			Y08466	
293		JM23100033	PAN HEAD SCREW M4X12	1			Y08466	
294		JM23000137	SPRING WASHER4	1			Y08466	
295		JM23100071	THIN FLAT WASHER 6	1			Y08466	
296		JM27080108	LABEL(RIVING KNIFE SETTING)	1		Y08466		
297		JM23300093	FLAT WASHER 10	1		Y08466		
298		JM23300026	FLAT WASHER 4	1		Y08466		
299		JM23300150	FLAT WASHER 5	1		Y08466		
300		JM00000362	INSERT BAR	1		Y08466		
301		JM2318A058	CAUTION LABEL	1		Y08466		
302		JM23180059	CAUTION LABEL	1		Y08466		
303		JM23300008	RIP FENCE ASSY	1		Y08466		
	D10		INC. 304			Y08466		
304		810191-7	CAUTION LABEL	1		Y08466		
305		JM23300217	LOW PROTECTION GUARD	1		Y08466		
	D10		INC. 306			Y08466		
306		JM23380059	LOGO LABEL	1		Y08466		
307		JM23300167	HEX NUT M8	1		Y08466		
308		JM23300167	HEX NUT M8	1		Y08466		
309		JM23300189	FLAT WASHER 8 (L)	1		Y08466		
311		JM23100502	WISE ASSEMBLY	1		Y08466		
313		JM23100500	HOLDER	2		Y08466		
314		JM23180056	CAUTION LABEL	1		Y08466		
315		JM23380098	NAME PLATE	1		Y08466		
316		JM23300142	COMPRESSION SPRING	1		Y08466		
317		JM23300042	E SHAPE RETAINING RING 6	1		Y08466		
A01		JM23300005	SAW BLADE 305(BORE 25.4)	1			Y08466	
A01-1		JM23300005	SAW BLADE 305(BORE 25.4)	1	O	Y08466		
A02		JM23300008	RIP FENCE ASSY	1			Y08466	
	C10	JM23300228	FENCE KNOB	1			Y08466	
	C20	JM23300229	FENCE ORIENTAION PIN	1			Y08466	
	C30	JM23300230	FENCE BRACKET	1			Y08466	
	C40	JM23300231	FENCE	1			Y08466	
	C50	JM23300232	FENCE LOCK PLATE	1			Y08466	
	C60	JM23300233	LOCKING BRACKET	1			Y08466	
	C70	JM23300234	ADJUSTABLE SCREW	1			Y08466	
	C80	JM23300235	FENCE LOCK KNOB	1			Y08466	
	C90	JM23300019	FLAT WASHER 6	1			Y08466	

A:

Interchange
O : Yes
X : No
< : the new part can be substituted for the current.
> : the current part can be substituted for the new.
S : Interchangeable as a set.

