



TH	THAILAND
----	----------

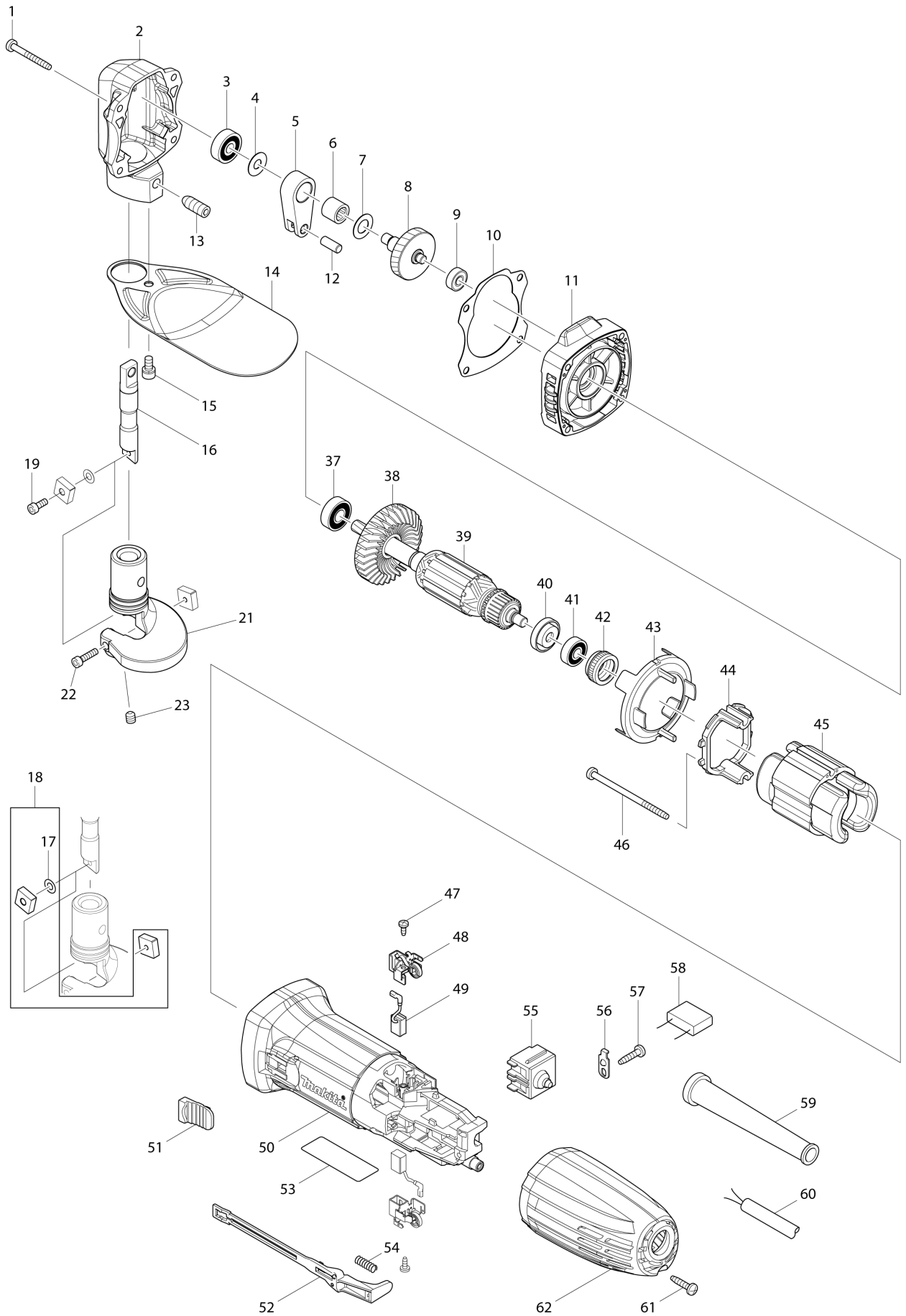
Diagram / Parts List

JS1602

SHEAR 1.6MM



(TH) JS1602 / SHEAR 1.6MM



TH	THAILAND
-----------	-----------------

JS1602 / SHEAR 1.6MM

Item	Sub	Parts No.	Parts Description	Qty	I/C	E/C No.	Close No.	Remark
001		266053-1	TAPPING SCREW 4X35	4				
002		141691-9	GEAR HOUSING COMPLETE	1				
	C10	800H33-1	INDICATION LABEL	1				
003		210030-5	BALL BEARING 627ZZ	1				
004		253823-7	FLAT WASHER 7	1				
005		331151-1	ROD	1				
006		212063-6	NEEDLE BEARING 1012	1				
007		253758-2	FLAT WASHER 10	1				
008		141690-1	CRANK SHAFT COMPLETE	1				
	C10	227760-1	HELICAL GEAR 44	1				
009		210033-9	BALL BEARING 696ZZ	1				
010		442185-0	GASKET	1				
011		454076-3	GEAR HOUSING COVER	1				
012		256110-3	PIN 6	1				
013		913427-4	SET SCREW M8X16	1				
014		346620-9	PROTECTOR	1				
015		922206-9	HEX. SOCKET HEAD BOLT M5X10	1				
016		321311-3	BLADE HOLDER	1				
017		253334-2	THIN WASHER 5	1				
018		191383-0	SHEAR BLADE SET	1				
	D10		INC. 17					
019		922112-8	HEX. SOCKET HEAD BOLT M4X10	1				
021		311717-3	YOKE	1				
022		922127-5	HEX. SOCKET HEAD BOLT M4X16	1				
023		251986-3	H.S.SET SCREW(FLAT POINT)M6X6	1				
037		210005-4	BALL BEARING 608DDW	1				
038		240076-7	FAN 56	1				
039		517673-7	ARMATURE ASS'Y 220V	1				
	D10		INC. 37,38,40,41					
040		681636-0	INSULATION WASHER	1				
041		210062-2	BALL BEARING 607ZZ	1				
042		421868-5	LABYRINTH RUBBER RING 19	1				
043		450796-7	BAFFLE PLATE	1				
044		452073-3	SPACER	1				
045		623548-1	FIELD	1				
046		266004-4	TAPPING SCREW 4X70	2				
047		265954-0	TAPPING SCREW BIND PT3X8	2				
048		643839-4	BRUSH HOLDER 6X9	2				
049		195026-6	CARBON BRUSH SET CB-459	1				
050		450795-9	MOTOR HOUSING	1				
051		418016-5	SWITCH KNOB	1				
052		450797-5	SWITCH LEVER	1				
053		897764-3	JS1602 NAME PLATE	1				
054		233121-5	COMPRESSION SPRING 4	1				
055		650621-4	SWITCH PS10	1				
056		687682-1	STRAIN RELIEF	1			DU529	
056-1		687681-3	STRAIN RELIEF	1	S	DU529		
057		265995-6	TAPPING SCREW 4X18	1				
059		682566-8	CORD GUARD 10	1			DU529	
059-1		682559-5	CORD GUARD 8	1	S	DU529		
060		691015-4	POWER SUPPLY CORD 0.75-2-2.5	1			DU529	
060-1		660503-2	POWER SUPPLY CORD 0.75-2-2.5	1	S	DU529		
061		265995-6	TAPPING SCREW 4X18	1				
062		453884-9	REAR COVER	1				
A01		410048-8	WRENCH HOLDER 3.4	1				
A02		783201-2	HEX. WRENCH 3	1				

A:JS1602(H)

Interchange
 O : Yes
 X : No
 < : the new part can be substituted for the current.
 > : the current part can be substituted for the new.
 S : Interchangeable as a set.