



TH	THAILAND
----	----------

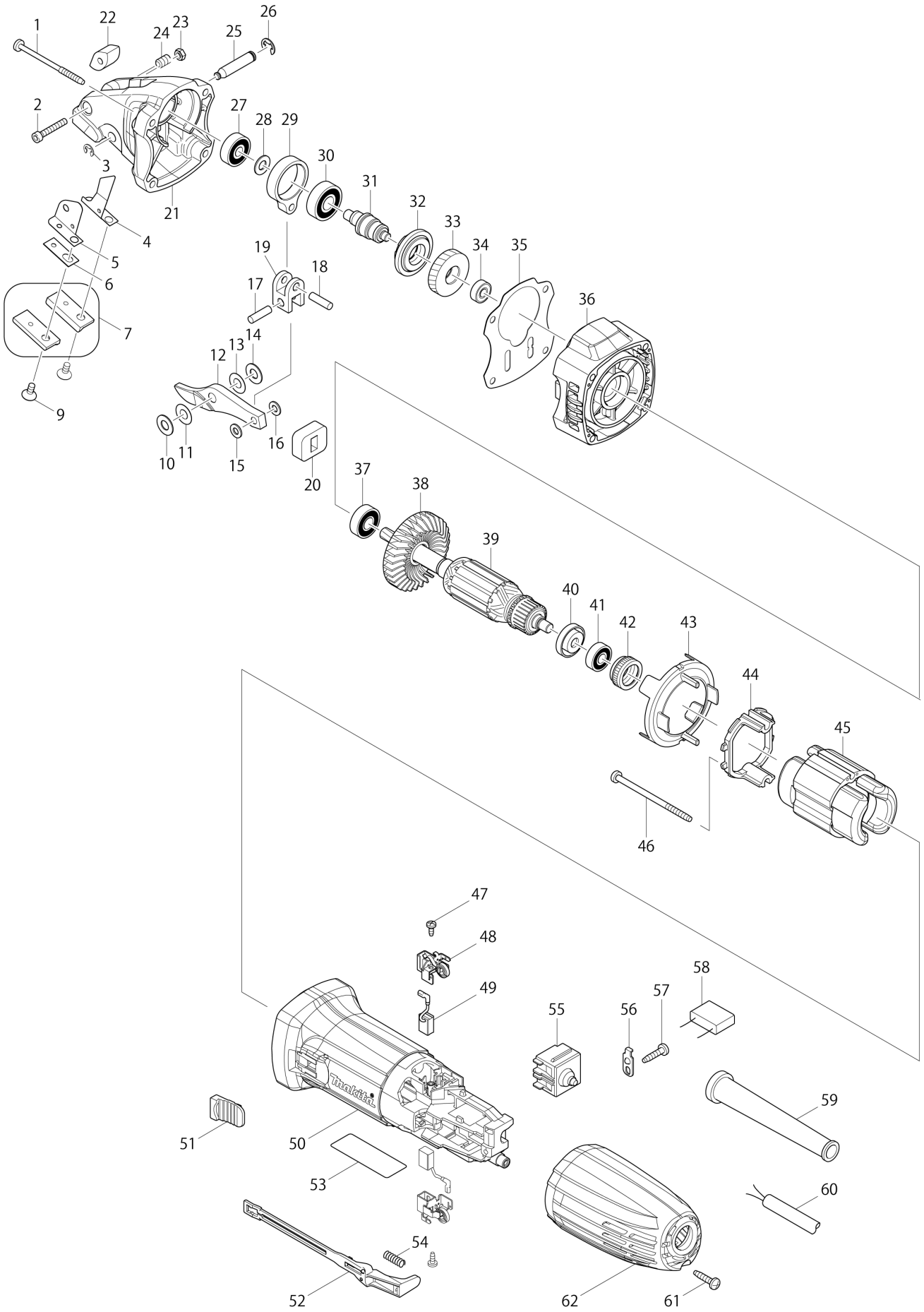
Diagram / Parts List

JS1601

1.6MM STRAIGHT METAL SHEAR



(TH) JS1601 / 1.6MM STRAIGHT METAL SHEAR



TH	THAILAND
----	----------

JS1601 / 1.6MM STRAIGHT METAL SHEAR

Item	Sub	Parts No.	Parts Description	Qty	I/C	E/C No.	Close No.	Remark
001		266091-3	TAPPING SCREW 4X50	4				
002		922147-9	HEX. SOCKET HEAD BOLT M4X25	1				
003		961011-9	STOP RING E-4	1				
004		346131-4	SLIP PLATE R	1				
005		343480-0	SLIP PLATE L	1				
006		343481-8	SPACER	1				
007		792533-6	SIDE BLADE SET	1				
009		251951-2	HEX. SOCKET C.S.H. SCREW M5X10	2				
010		261065-9	FLUOROPLASTIC WASHER 7	1			D6230	
010-1		261065-9	FLUOROPLASTIC WASHER 7	1	O	D6230	DC484	
010-2		261065-9	FLUOROPLASTIC WASHER 7	1	O	DC484		
011		253338-4	THIN WASHER 7	1				
012		792534-4	CENTER BLADE	1				
013		253338-4	THIN WASHER 7	1				
014		261065-9	FLUOROPLASTIC WASHER 7	1			D6230	
014-1		261065-9	FLUOROPLASTIC WASHER 7	1	O	D6230	DC484	
014-2		261065-9	FLUOROPLASTIC WASHER 7	1	O	DC484		
015		267010-2	FLAT WASHER 5	1				
016		267010-2	FLAT WASHER 5	1				
017		256155-1	PIN 5	1				
018		256155-1	PIN 5	1				
019		331329-6	LINK	1				
020		423118-4	DUST COVER	1				
021		140506-7	CRANK HOUSING COMPLETE	1				
022		325727-4	BLOCK	1				
023		252083-8	HEX. LOCK NUT M4-7	1				
024		266085-8	H.S.SET SCREW(FLAT POINT)M6X10	1				
025		256733-7	PIN 7	1				
026		961012-7	STOP RING E-6	1				
027		211027-7	BALL BEARING 627ZZ	1				
028		253133-2	FLAT WASHER 7	1				
029		331273-7	ROD	1				
030		210067-2	BALL BEARING 6000ZZ	1				
031		325948-8	CRANK SHAFT	1				
032		325949-6	SEALING SCREW	1				
033		227731-8	HELICAL GEAR 40	1				
034		210033-9	BALL BEARING 696ZZ	1				
035		442161-4	GASKET	1				
036		140507-5	GEAR HOUSING COMPLETE	1				
037		210005-4	BALL BEARING 608DDW	1				
038		240076-7	FAN 56	1				
039		517673-7	ARMATURE ASS'Y 220V	1				
	D10		INC. 37,38,40,41					
040		681636-0	INSULATION WASHER	1				
041		210062-2	BALL BEARING 607ZZ	1				
042		421868-5	LABYRINTH RUBBER RING 19	1				
043		450796-7	BAFFLE PLATE	1				
044		452073-3	SPACER	1				
045		623548-1	FIELD	1				
046		266004-4	TAPPING SCREW 4X70	2				
047		265954-0	TAPPING SCREW BIND PT3X8	2				
048		643839-4	BRUSH HOLDER 6X9	2				
049		195026-6	CARBON BRUSH SET CB-459	1				
050		450795-9	MOTOR HOUSING	1				
051		418016-5	SWITCH KNOB	1				
052		450797-5	SWITCH LEVER	1				
053		868086-8	JS1601 NAME PLATE	1				
054		233121-5	COMPRESSION SPRING 4	1				
055		650621-4	SWITCH PS10	1				
056		687682-1	STRAIN RELIEF	1			DU529	
056-1		687681-3	STRAIN RELIEF	1	S	DU529		
057		265995-6	TAPPING SCREW 4X18	1				
059		682566-8	CORD GUARD 10	1			DU529	
059-1		682559-5	CORD GUARD 8	1	S	DU529		
060		691015-4	POWER SUPPLY CORD 0.75-2-2.5	1			DU529	

A:JS1601(H)

Interchange
O : Yes
X : No
< : the new part can be substituted for the current.
> : the current part can be substituted for the new.
S : Interchangeable as a set.

