



| | |
|----|----------|
| TH | THAILAND |
|----|----------|

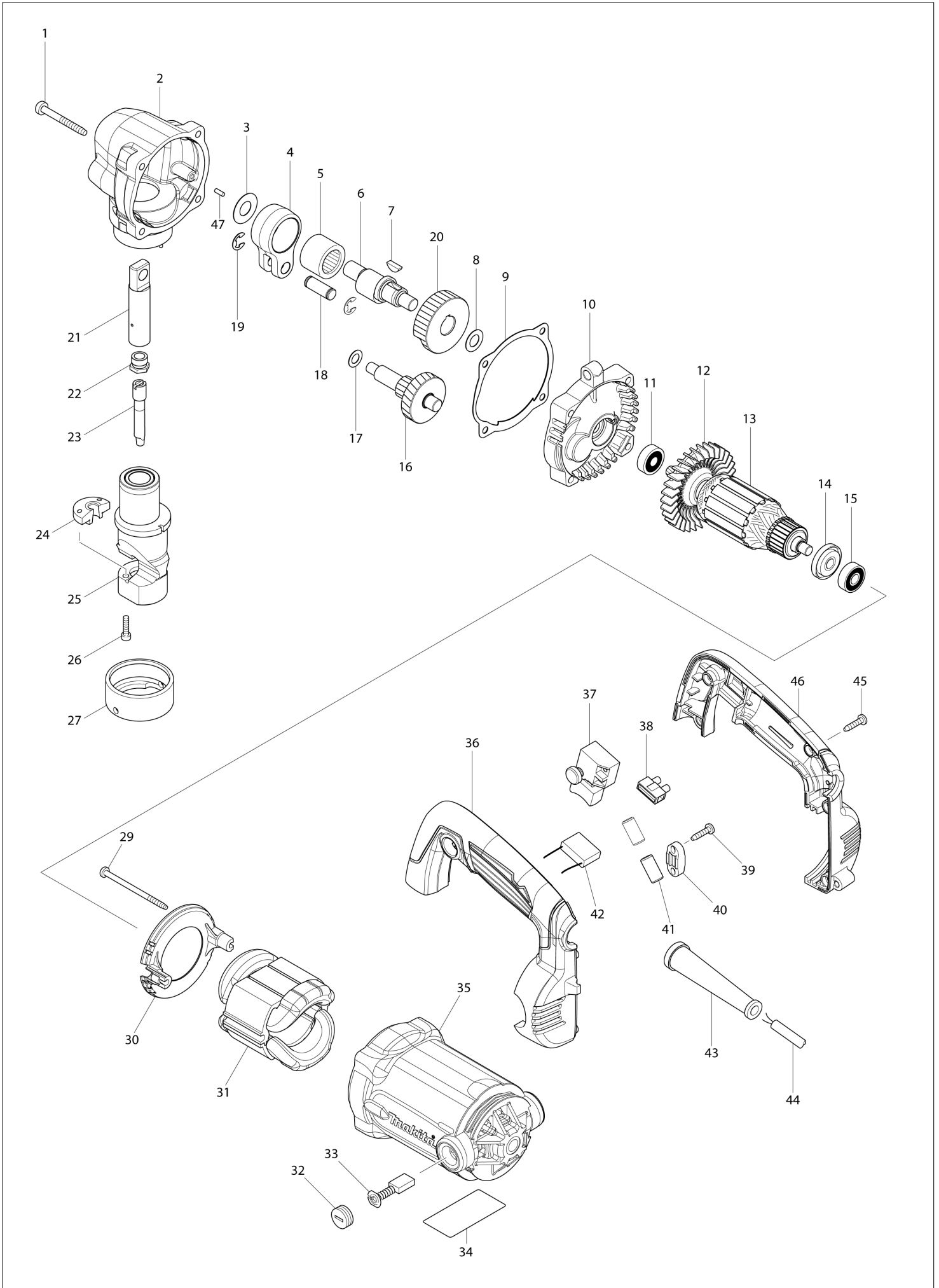
Diagram / Parts List

JN3201

3.2MM NIBBLER



(TH) JN3201 / 3.2MM NIBBLER



| | |
|----|----------|
| TH | THAILAND |
|----|----------|

JN3201 / 3.2MM NIBBLER

| Item | Sub | Parts No. | Parts Description | Qty | I/C | E/C No. | Close No. | Remark |
|-------|-----|-----------|--------------------------------|-----|-----|---------|-----------|--------|
| 001 | | 266056-5 | TAPPING SCREW 5X45 | 4 | | | | |
| 002 | | 141797-3 | GEAR HOUSING COMPLETE | 1 | | | | |
| | C10 | 800S41-8 | INDICATION LABEL | 1 | | | | |
| 003 | | 253759-0 | FLAT WASHER 12 | 1 | | | | |
| 004 | | 331167-6 | ROD | 1 | | | | |
| 005 | | 212306-6 | NEEDLE BEARING 2020 | 1 | | | | |
| 006 | | 321408-8 | CRANK SHAFT | 1 | | | | |
| 007 | | 254001-2 | WOODRUFF KEY 4 | 1 | | | | |
| 008 | | 253758-2 | FLAT WASHER 10 | 1 | | | | |
| 009 | | 442186-8 | GASKET | 1 | | | 98882 | |
| 009-1 | | 442186-8 | GASKET | 1 | O | 98882 | | |
| 010 | | 141796-5 | GEAR HOUSING COVER COMPLETE | 1 | | | | |
| | C10 | 263002-9 | RUBBER PIN 4 | 1 | | | | |
| 011 | | 211031-6 | BALL BEARING 608LLB | 1 | | | | |
| 012 | | 240094-5 | FAN 70 | 1 | | | | |
| 013 | | 513858-3 | ARMATURE ASS'Y 220V | 1 | | | | |
| | D10 | | INC. 11,12,14,15 | | | | | |
| 014 | | 681644-1 | INSULATION WASHER | 1 | | | | |
| 015 | | 210029-0 | BALL BEARING 608ZZ | 1 | | | | |
| 016 | | 226060-6 | GEAR COMPLETE 15-46 | 1 | | | | |
| 017 | | 253215-0 | FLAT WASHER 8 | 1 | | | | |
| 018 | | 321418-5 | PIN 9 | 1 | | | | |
| 019 | | 961013-5 | STOP RING E-7 | 2 | | | | |
| 020 | | 221880-3 | SPUR GEAR 44 | 1 | | | | |
| 021 | | 152486-5 | PUNCH HOLDER COMPLETE | 1 | | | | |
| 022 | | 321406-2 | SCREW | 1 | | | | |
| 023 | | 792728-1 | PUNCH | 1 | | | | |
| 024 | | 792292-2 | DIE | 1 | | | | |
| 025 | | 152176-0 | DICE HOLDER COMPLETE | 1 | | | | |
| 026 | | 922127-5 | HEX. SOCKET HEAD BOLT M4X16 | 2 | | | | |
| 027 | | 321415-1 | LOCK NUT | 1 | | | | |
| 029 | | 266340-8 | TAPPING SCREW 4X65 | 2 | | | | |
| 030 | | 454140-0 | BAFFLE PLATE | 1 | | | | |
| 031 | | 525868-8 | FIELD ASS'Y 220V | 1 | | | | |
| | C10 | 654020-2 | RING TERMINAL | 2 | | | | |
| | C20 | 654501-6 | CONNECTOR P-1.25 | 2 | | | | |
| 032 | | 643750-0 | BRUSH HOLDER CAP 7-11 | 2 | | | B4206 | |
| 032-1 | | 643515-0 | HOLDER CAP 7-11 | 2 | O | B4206 | DT602 | |
| 032-2 | | 643750-0 | BRUSH HOLDER CAP 7-11 | 2 | O | DT602 | | |
| 033 | | B-80379 | CARBON BRUSH SET CB-303A | 1 | | | | |
| 034 | | 814C94-5 | JN3201 NAME PLATE | 1 | | | | |
| 035 | | 158278-0 | MOTOR HOUSING COMPLETE | 1 | | | | |
| | C10 | 643708-9 | BRUSH HOLDER 5-11 | 2 | | | | |
| 036 | | 187532-5 | HANDLE SET | 1 | | | | |
| | D10 | | INC. 46 | | | | | |
| 037 | | 651284-9 | SWITCH SGEL115CDY-6 | 1 | | | | |
| 039 | | 266326-2 | TAPPING SCREW 4X18 | 2 | | | | |
| 040 | | 687053-2 | STRAIN RELIEF | 1 | | | DU529 | |
| 040-1 | | 687052-4 | STRAIN RELIEF | 1 | S | DU529 | | |
| 043 | | 682505-8 | CORD GUARD 10-90 | 1 | | | DU529 | |
| 043-1 | | 682106-2 | CORD GUARD | 1 | S | DU529 | | |
| 044 | | 691015-4 | POWER SUPPLY CORD 0.75-2-2.5 | 1 | | | DU529 | |
| 044-1 | | 660518-9 | POWER SUPPLY CORD 0.75-2-2.5 | 1 | S | DU529 | | |
| 045 | | 266326-2 | TAPPING SCREW 4X18 | 5 | | | | |
| 046 | | 187532-5 | HANDLE SET | 1 | | | | |
| | D10 | | INC. 36 | | | | | |
| 047 | | 256255-7 | PIN 3 | 1 | | | | |
| A01 | | 341796-7 | WASHER | 2 | | | | |
| A02 | | 781019-5 | WRENCH 50 | 1 | | | | |
| A03 | | 783201-2 | HEX. WRENCH 3 | 1 | | | | |
| A04 | | 821550-0 | CONNECTOR PLASTIC CASE (TYPE2) | 1 | | | A0276 | |
| | C10 | 453974-8 | LATCH | 4 | | | A0276 | |
| A04-1 | | 821550-0 | CONNECTOR PLASTIC CASE (TYPE2) | 1 | < | A0276 | | |
| | C10 | 453974-8 | LATCH | 4 | | A0276 | | |
| A05 | | 837630-2 | INNER TRAY | 1 | | | | |

A:JN3201J(H)

Interchange
O : Yes
X : No
< : the new part can be substituted for the current.
> : the current part can be substituted for the new.
S : Interchangeable as a set.

