



TH	THAILAND
----	----------

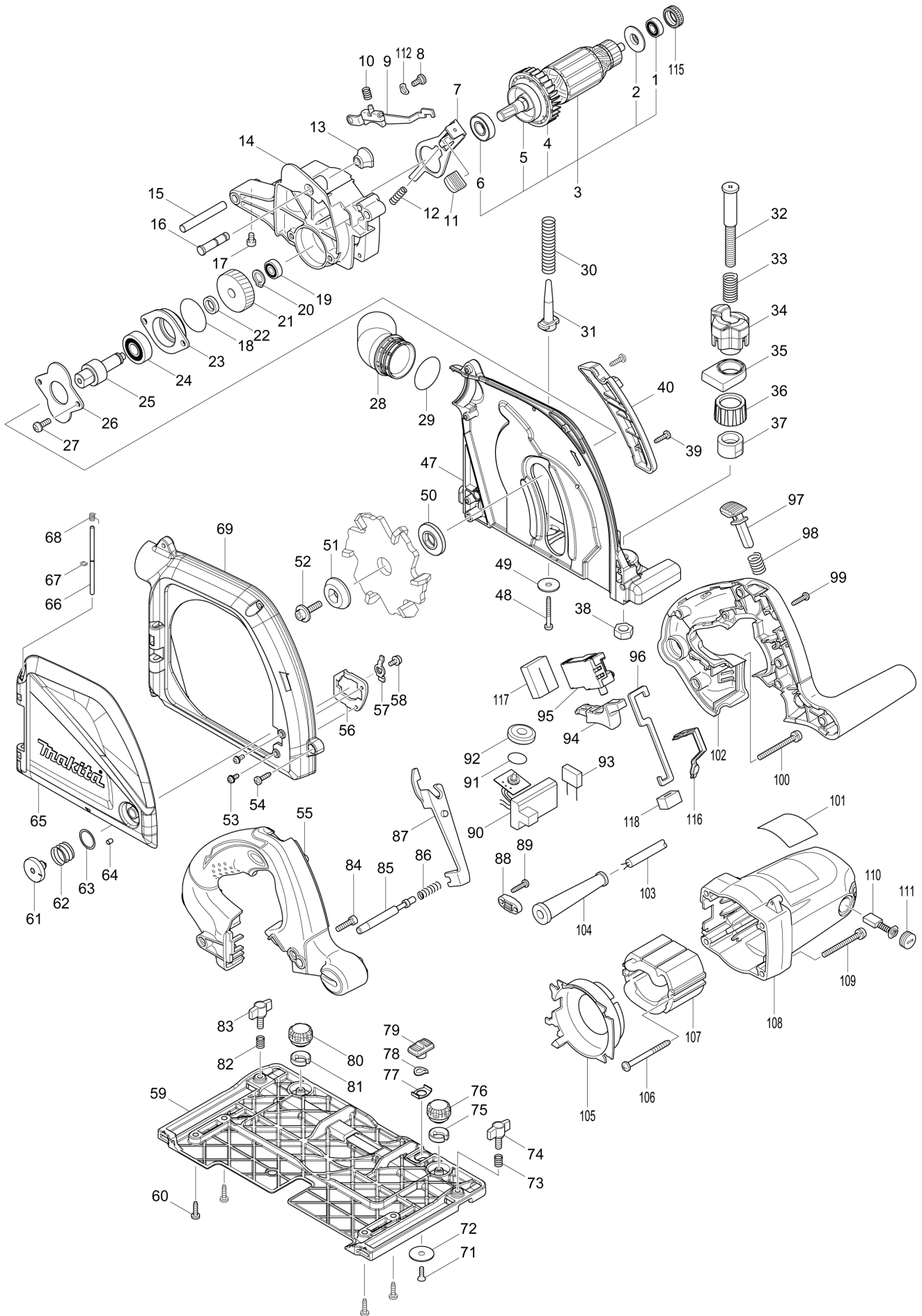
Diagram / Parts List

CA5000

ALUMINUM GROOVE CUTTER



(TH) CA5000 / ALUMINUM GROOVE CUTTER



TH	THAILAND
----	----------

CA5000 / ALUMINUM GROOVE CUTTER

Item	Sub	Parts No.	Parts Description	Qty	I/C	E/C No.	Close No.	Remark
001		210013-5	BALL BEARING 698VV	1				
002		681634-4	INSULATION WASHER	1				
003		513678-5	ARMATURE ASS'Y 220-240V	1				
	D10		INC. 1,2,4-6					
004		240091-1	FAN 60	1				
005		345767-6	DRUM	1				
006		211131-2	BALL BEARING 6001DDW	1				
007		345742-2	SHAFT LOCK	1				
008		265011-4	+ BINDING HEAD SCREW M5	1			DP672	
008-1		256A59-3	+BINDING HEAD SCREW M5	1	O	DP672		
009		158096-6	SHOE COMPLETE	1			DN977	
009-1		345743-0	SHOE HOLDER	1	S	DN977		
010		233480-7	COMPRESSION SPRING 7	1				
011		286275-7	CAP	1			C0115	
011-1		286039-9	CAP	1	<	C0115		
012		233084-5	COMPRESSION SPRING 6	1				
013		286278-1	CAP	1			C0115	
013-1		286040-4	CAP	1	<	C0115		
014		158092-4	GEAR HOUSING COMPLETE	1			B7108	
	C10	263002-9	RUBBER PIN 4	1			B7108	
014-1		144586-5	GEAR HOUSING COMPLETE	1	O	B7108		
	C10	263002-9	RUBBER PIN 4	1		B7108		
015		324716-6	PIN 8	1			B7108	
015-1		326960-1	PIN 8	1	S	B7108	C0221	
015-2		324716-6	PIN 8	1	<	C0221	DH707	
015-3		327B66-0	PIN 8	1	O	DH707		
016		324708-5	STOPPER PIN 8	1				
017		265913-4	HEX. SOCKET HEAD BOLT M5X8	1			B7108	
017-1		265907-9	HEX. SOCKET HEAD BOLT M5X10	1	S	B7108		
018		213512-6	O RING 39	1				
019		211021-9	BALL BEARING 607LLB	1				
020		961052-5	RETAINING RING (EXT) S-12	1				
021		226637-7	HELICAL GEAR 39	1				
022		257010-0	RING 12	1				
023		318088-9	BEARING BOX	1				
024		211129-9	BALL BEARING 6201DDW	1				
025		326555-0	SPINDLE	1				
026		285024-9	BEARING RETAINER 55	1				
027		911221-8	PAN HEAD SCREW M5X16	2				
028		419620-3	DUST NOZZLE	1				
029		213460-9	O RING 35	1				
030		233479-2	COMPRESSION SPRING 11	1				
031		419624-5	SPRING HOLDER	1				
032		266964-0	+ FLAT HEAD SCREW M10	1				
033		234382-0	COMPRESSION SPRING 13	1				
034		319316-5	STOPPER	1				
035		456060-4	SPACER	1				
036		456059-9	GRIP	1				
037		264115-9	CIRCULAR NUT M10-24	1				
038		931501-6	HEX. NUT M10	1			B1463	
038-1		252234-3	HEX. NUT M10	1	O	B1463		
039		266034-5	TAPPING SCREW CT 4X16	2				
040		456110-5	DEPTH GUIDE	1				
047		319317-3	BLADE CASE	1				
048		266053-1	TAPPING SCREW 4X35	1				
049		253010-8	FLAT WASHER 6	1				
050		224406-0	INNER FLANGE 35	1			C2507	
050-1		224593-5	INNER FLANGE 35	1	O	C2507		
051		224479-3	OUTER FLANGE 35	1				
052		251475-8	HEX. SOCKET HEAD BOLT M6X25	1				
053		911113-1	PAN HEAD SCREW M4X10 WITH WR	2				
054		266034-5	TAPPING SCREW CT 4X16	5				
055		188197-6	HANDLE SET	1				
	D10		INC. 102					
056		346946-9	LOCK PLATE B	1				

A:CA5000X(H)

Interchange
O : Yes
X : No
< : the new part can be substituted for the current.
> : the current part can be substituted for the new.
S : Interchangeable as a set.

TH	THAILAND
----	----------

CA5000 / ALUMINUM GROOVE CUTTER

Item	Sub	Parts No.	Parts Description	Qty	I/C	E/C No.	Close No.	Remark
057		346945-1	LOCK PLATE A	1				
058		911114-9	PAN HEAD SCREW M4X10	1				
059		319314-9	BASE	1				
060		266034-5	TAPPING SCREW CT 4X16	4				
061		319315-7	LOCK PIN	1				
062		234283-2	COMPRESSION SPRING 18.5	1				
063		253343-1	THIN WASHER 18	1				
064		263032-0	RUBBER PIN 4	1				
065		456062-0	COVER	1				
066		256875-7	ROD 4	1				
067		961017-7	STOP RING E-3	1				
068		233627-3	TORSION SPRING 4	1				
069		456061-2	BLADE CASE COVER	1				
071		912112-6	COUNTERSUNK HEAD SCREW M4X10	1				
072		345748-0	LOCK WASHER	1				
073		231316-4	COMPRESSION SPRING 7	1			DJ857	
073-1		234057-1	COMPRESSION SPRING 8	1	O	DJ857		
074		265726-3	SCREW M6X15	1				
075		419627-9	HOLDER	1				
076		265775-0	THUMB SCREW M4X3	1				
077		345977-5	PLATE	1				
078		253932-2	WAVE WASHER 10	1				
079		419621-1	SLIDE LEVER	1			C0115	
079-1		458092-7	SLIDE LEVER	1	<	C0115		
080		265775-0	THUMB SCREW M4X3	1				
081		419627-9	HOLDER	1				
082		231316-4	COMPRESSION SPRING 7	1			DJ857	
082-1		234057-1	COMPRESSION SPRING 8	1	O	DJ857		
083		265726-3	SCREW M6X15	1				
084		922232-8	HEX. SOCKET HEAD BOLT M5X20	1				
085		326557-6	LOCK PIN 8	1				
086		233267-7	COMPRESSION SPRING 7	1				
087		419631-8	LOCK PLATE	1				
088		687052-4	STRAIN RELIEF	1			DT778	
088-1		687063-9	CORD CLAMP	1	S	DT778		
089		265995-6	TAPPING SCREW 4X18	2				
090		631729-3	CONTROLLER	1				
091		213261-5	O RING 17	1				
092		418905-4	DIAL	1				
094		419622-9	SWITCH LEVER	1				
095		650716-3	SWITCH TGC31B	1				
096		345745-6	LINK PLATE	1				
097		419629-5	LOCK OFF BUTTON	1				
098		233089-5	COMPRESSION SPRING 12	1				
099		265995-6	TAPPING SCREW 4X18	6				
100		911273-9	PAN HEAD SCREW M5X50	1				
101		851F08-1	CA5000 NAME PLATE	1		B1367		
102		188197-6	HANDLE SET	1				
	D10		INC. 55					
103		666216-3	POWER SUPPLY CORD 1.5-2-2.5	1			DT778	
103-1		692171-3	POWER SUPPLY CORD 1.5-2-2.5	1	S	DT778		
104		682503-2	CORD GUARD 8-90	1			DT778	
104-1		682505-8	CORD GUARD 10-90	1	S	DT778		
105		419626-1	BAFFLE PLATE	1				
106		266044-2	TAPPING SCREW 5X60	2				
107		525743-8	FIELD ASS'Y 220-240V	1				
	C10	654020-2	RING TERMINAL	2				
	C20	654501-6	CONNECTOR P-1.25	2				
108		158094-0	MOTOR HOUSING COMPLETE	1				
	C10	643708-9	BRUSH HOLDER 5-11	2				
109		911273-9	PAN HEAD SCREW M5X50	4				
110		B-80379	CARBON BRUSH SET CB-303A	1				
111		643750-0	BRUSH HOLDER CAP 7-11	2				
112		267781-1	WAVE WASHER 7	1				
115		421479-6	RUBBER RING 19	1				

A:CA5000X(H)

Interchange
O : Yes
X : No
< : the new part can be substituted for the current.
> : the current part can be substituted for the new.
S : Interchangeable as a set.

