



TH	THAILAND
----	----------

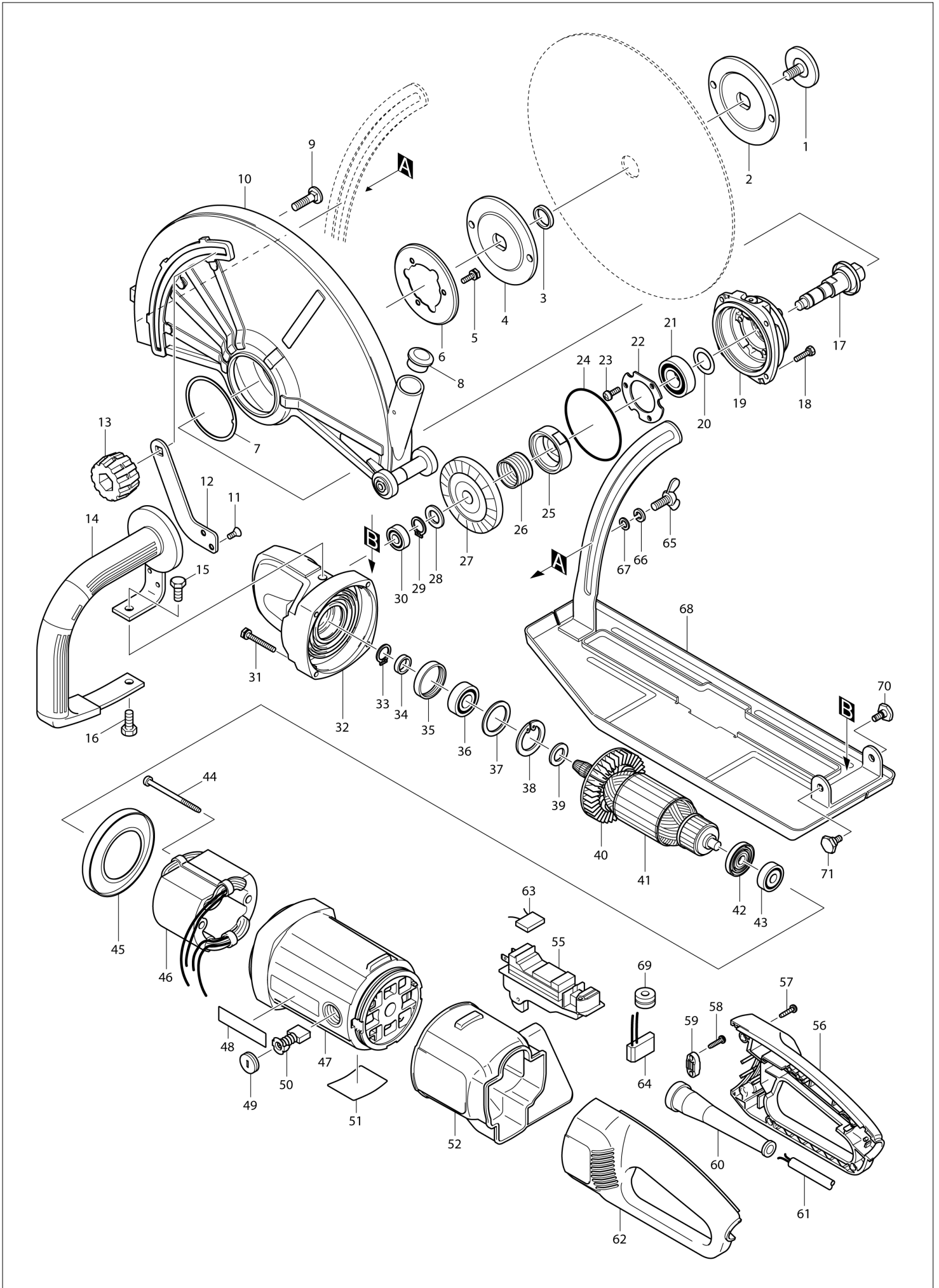
Diagram / Parts List

4114S

ANGLE CUTTER 355MM



(TH) 4114S / ANGLE CUTTER 355MM



TH	THAILAND
----	----------

4114S / ANGLE CUTTER 355MM

Item	Sub	Parts No.	Parts Description	Qty	I/C	E/C No.	Close No.	Remark
001		265265-3	HEX. BOLT M10X25	1				
002		224184-2	INNER FLANGE 100	1				
003		257054-0	RING 20	1				
004		224184-2	INNER FLANGE 100	1				
005		925216-5	+ HEX. BOLT M5X14	3				
006		345269-2	PRESSURE PLATE	1				
007		341853-1	PLATE B	1				
008		286268-4	CAP 31	1			87273	
008-1		286289-6	CAP 32	1	<	87273		
009		265845-5	CAP SQUARE NECK BOLT M8X30	1				
010		125336-7	WHEEL COVER ASS'Y	1				
	C10	257091-4	RING 12	2				
	C20	961015-1	STOP RING E-9	2				
	C30	817574-2	CAUTION LABEL	1				
011		912202-5	COUNTERSUNK HEAD SCREW M5X8	2				
012		345291-9	LOCK PLATE	1				
013		252648-6	THUMB NUT M8	1				
014		273655-6	GRIP	1				
015		921432-7	HEX. BOLT M8X20	1				
016		921432-7	HEX. BOLT M8X20	1				
017		153541-6	SPINDLE COMPLETE	1				
018		265502-5	+ HEX. BOLT M5X20	4				
019		153539-3	BEARING BOX COMPLETE	1				
020		267041-1	FLAT WASHER 20	1				
021-1		211326-7	BALL BEARING 6004DDW	1				
022		285708-9	BEARING RETAINER 50	1				
023		911221-8	PAN HEAD SCREW M5X16	3				
024		213757-6	O RING 80	1				
025		331644-8	LOCK SLEEVE	1				
026		233922-1	LOCK SPRING 24	1				
027		227439-4	SPIRAL BEVEL GEAR 57	1				
028		267251-0	FLAT WASHER 15	1				
029		961055-9	RETAINING RING S-15	1				
030		211061-7	BALL BEARING 6000LLB	1				
031		925261-0	+ HEX. BOLT M5X40	4				
032		153542-4	GEAR HOUSING COMPLETE	1				
033		961055-9	RETAINING RING S-15	1				
034		257053-2	RING 15	1				
035		262554-7	RUBBER RING 36	1				
036		211228-7	BALL BEARING 6202DDW	1				
037		267250-2	FLAT WASHER 30	1				
038		962157-4	RETAINING RING R-40	1				
039		267251-0	FLAT WASHER 15	1				
040		240060-2	FAN 80	1				
041		516868-9	ARMATURE ASS'Y 220-240V	1				
	D10		INC. 40,42,43					
042		681630-2	INSULATION WASHER	1				
043		211087-9	BALL BEARING 6200DDW	1				
044		266059-9	TAPPING SCREW 5X75	2				
045		416131-9	BAFFLE PLATE	1				
046		626128-2	FIELD 220V	1				
047		183564-0	MOTOR HOUSING	1				
	C10	643707-1	BRUSH HOLDER	2				
	D10		INC. 48					
048		819064-1	MAKITA MARK	2				
049		643710-2	BRUSH HOLDER CAP	2				
050		A-81337	CARBON BRUSH CB-204A	1			83185	
050-1		B-80145	CARBON BRUSH SET CB-204A	1	O	83185	85070	
050-2		B-80357	CARBON BRUSH SET CB-204A	1	<	85070		
051		862177-7	4114S NAME PLATE	1			A1802	
051-1		815P83-1	4114S NAME PLATE	1	X	A1802		
052		421831-8	DUST COVER	1				
055-1		651181-9	SWITCH 1362.0114	1				
056		183615-9	HANDLE SET	1				
	C10	421833-4	SPONGE SHEET	1				

A:4114S(H)

Interchange
O : Yes
X : No
< : the new part can be substituted for the current.
> : the current part can be substituted for the new.
S : Interchangeable as a set.

