



TH	THAILAND
----	----------

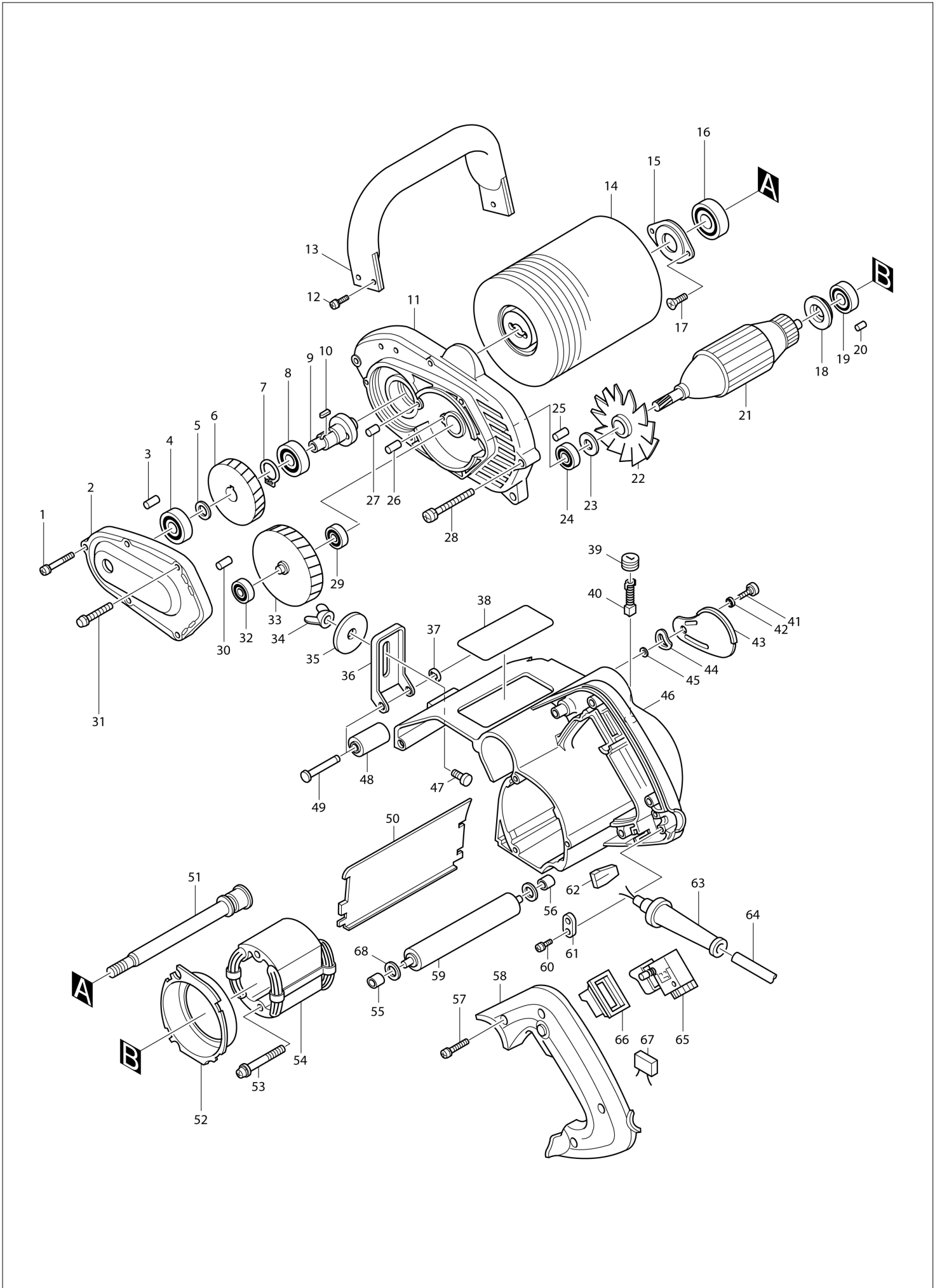
# Diagram / Parts List

9741

WHEEL SANDER



(TH) 9741 / WHEEL SANDER



TH	THAILAND
----	----------

### 9741 / WHEEL SANDER

Item	Sub	Parts No.	Parts Description	Qty	I/C	E/C No.	Close No.	Remark
001-1		911248-8	PAN HEAD SCREW M5X28	3				
002		157777-9	GEAR HOUSING COVER	1				
	D10		INC. 3,30					
003		263002-9	RUBBER PIN 4	1				
004		211101-1	BALL BEARING 6001LLB	1				
005		253744-3	FLAT WASHER 12	1				
006		221756-4	HELICAL GEAR 53	1				
007		961055-9	RETAINING RING S-15	1				
008-1		211236-8	BALL BEARING 6002DDW	1				
009		163269-8	SPINDLE	1				
010		254219-5	KEY 4	1				
011		157776-1	GEAR HOUSING	1				
	D10		INC. 25-27,55					
012-1		911218-7	PAN HEAD SCREW M5X14	3				
013		273623-9	GRIP	1				
014		794379-6	NYLON BRUSH WHEEL 120-100	1		92944		
015		285661-9	BEARING RETAINER	1				
016		211275-8	BALL BEARING 6003DDW	1				
017		912122-3	COUNTERSUNK HEAD SCREW M4X14	2				
018		681625-5	INSULATION WASHER	1				
019		211031-6	BALL BEARING 608LLB	1				
020		263014-2	RUBBER PIN 4	1				
021C		512928-5	ARMATURE ASS'Y 220V	1				
	D11		INC. 18,19,22,23,24					
022		241113-0	FAN 68	1				
023-1		253024-7	FLAT WASHER 10	1				
024-1		211088-7	BALL BEARING 6000DDW	1				
025		263002-9	RUBBER PIN 4	1				
026		263002-9	RUBBER PIN 4	1				
027		263005-3	RUBBER PIN 6	1				
028-1		911258-5	PAN HEAD SCREW M5X35	3				
029		211019-6	BALL BEARING 626	1				
030		263002-9	RUBBER PIN 4	1				
031-1		911278-9	PAN HEAD SCREW M5X55	2				
032		211019-6	BALL BEARING 626	1				
033		153168-2	GEAR COMPLETE 64	1				
034		934301-3	WING NUT M6	1				
035		253196-8	FLAT WASHER 6	1				
036		343434-7	DEPTH GUIDE	1				
037		961018-5	STOP RING E-5	1				
038		855929-3	NAME PLATE 9741	1				
039		643600-9	BRUSH HOLDER CAP 6-10	2				
040C		181030-1	CARBON BRUSH CB-100	1			85070	
040C1		B-80298	CARBON BRUSH SET CB-100A	1	<	85070		
041		251323-1	+ PAN HEAD SCREW M4	1				
042		253308-3	THIN WASHER 6	1				
043		343436-3	COVER PLATE	1				
044		253980-1	WAVE WASHER 14	1				
045		253874-0	FLAT WASHER 4	1				
046		157798-1	HOUSING	1				
	C11	643609-1	BRUSH HOLDER 6-10	2				
	C20	816689-2	INDICATION LABEL	1				
	C30	817895-2	CAUTION LABEL	1				
	D10		INC. 20,56					
047		251919-8	CAP SQUARE NECK BOLT M6X20	1				
048		162134-8	FRONT ROLLER	1				
049		256655-1	PIN 7	1				
050		343435-5	PLATE	1				
051		322071-0	ARBOR	1				
052		410957-1	BAFFLE PLATE	1				
053-1		911285-2	PAN HEAD SCREW M5X60	2				
054C		522688-1	FIELD ASS'Y 220V	1				
	C10	654019-7	RING TERMINAL	2				
	C20	654501-6	CONNECTOR P-1.25	2				
055		262515-7	SLEEVE 6	1				

A:9741(H)

Interchange  
 O : Yes  
 X : No  
 < : the new part can be substituted for the current.  
 > : the current part can be substituted for the new.  
 S : Interchangeable as a set.

