



TH	THAILAND
----	----------

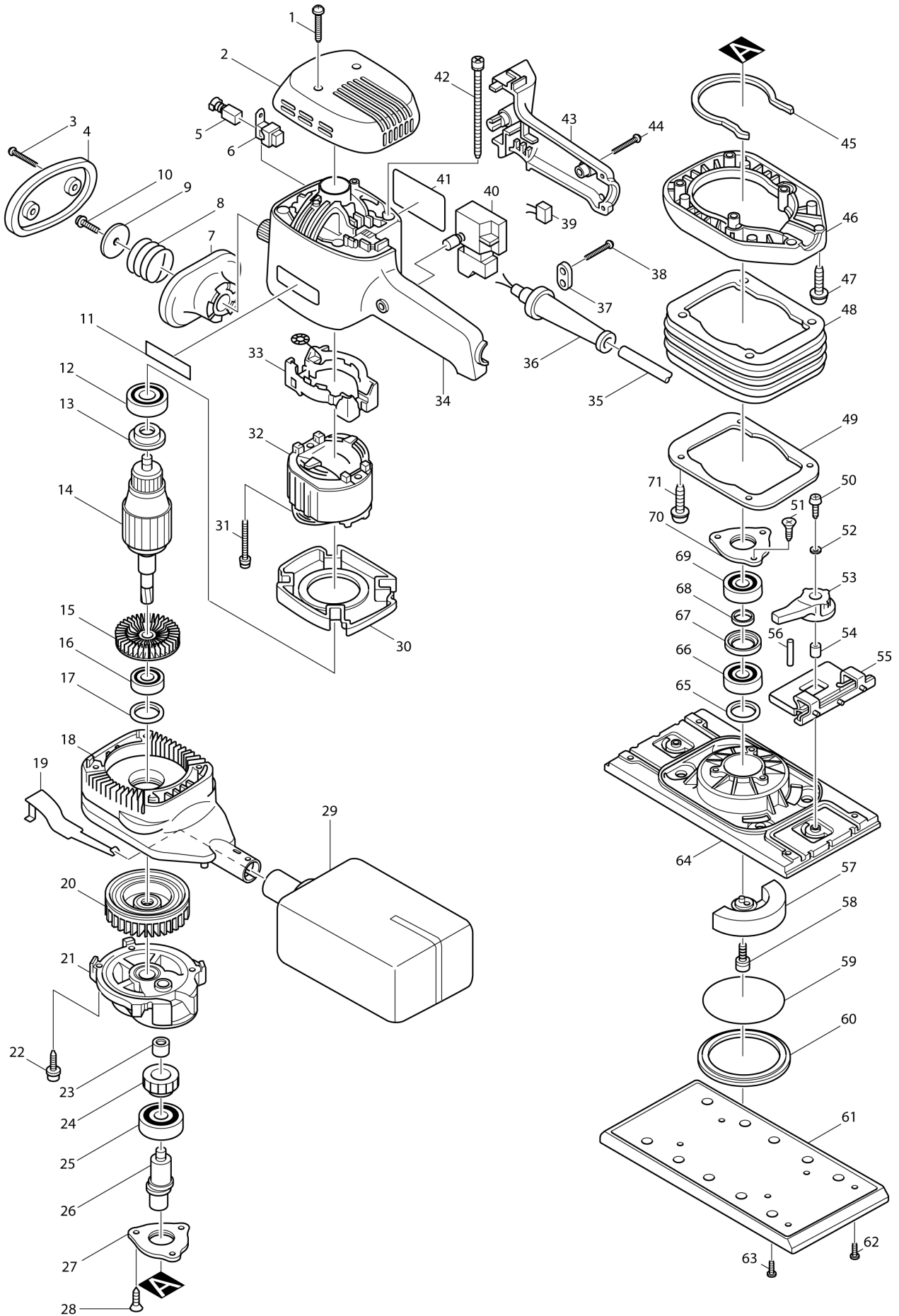
# Diagram / Parts List

9046

ORBITAL SANDER



(TH) 9046 / ORBITAL SANDER



TH	THAILAND
----	----------

### 9046 / ORBITAL SANDER

Item	Sub	Parts No.	Parts Description	Qty	I/C	E/C No.	Close No.	Remark
001		265995-6	TAPPING SCREW 4X18	2				
002		415709-5	TOP COVER	1				
003		265995-6	TAPPING SCREW 4X18	2				
004		415723-1	GRIP COVER	1				
005A		191962-4	CARBON BRUSH CB-419	1			85070	
005A1		B-80422	CARBON BRUSH SET CB-419A	1	<	85070		
006		643923-5	BRUSH HOLDER	2				
007		415717-6	GRIP BASE	1				
008		231463-1	COMPRESSION SPRING 24	1				
009		267136-0	FLAT WASHER 5	1				
010		266021-4	TAPPING SCREW 5X20	1				
011		819063-3	MAKITA LABEL	1				
012		211033-2	BALL BEARING 608LB	1				
013		681625-5	INSULATION WASHER	1				
014C		516213-8	ARMATURE ASS'Y 220V	1				220V
	D10		INC. 12,13,15,16					
015		241879-2	FAN 60	1				
016		211129-9	BALL BEARING 6201DDW	1				
017		267127-1	FLAT WASHER 26	1				
018		415567-9	SCROLL HOUSING	1				
019		344230-6	EARTH PLATE	1				
020		241880-7	FAN 68	1				
021		316621-1	GEAR BOX	1				
021-1		317389-2	GEAR BOX	1	S	60176		
022		266045-0	TAPPING SCREW 4X20	4				
023		212004-2	NEEDLE BEARING 810	1				
024		226430-9	HELICAL GEAR 39	1				
025		211278-2	BALL BEARING 6203DDW	1				
026		322708-9	CRANK SHAFT	1				
027		162171-2	BEARING RETAINER 24	1				
028		266058-1	TAPPING SCREW CT 4X12	3				
029		152456-4	DUST BAG COMPLETE	1				
030		415561-1	BAFFLE PLATE	1				
031		266056-5	TAPPING SCREW 5X45	2				
032C		634223-4	FIELD 220V	1				220V
033		632514-7	SUPPORT COMPLETE	1				
034		415566-1	MOTOR HOUSING	1				
035M		691015-4	POWER SUPPLY CORD 0.75-2-2.5	1			DU529	
035M1		660503-2	POWER SUPPLY CORD 0.75-2-2.5	1	S	DU529		
036A		682502-4	CORD GUARD 8-85	1				
037		687053-2	STRAIN RELIEF	1			DU529	
037-1		687052-4	STRAIN RELIEF	1	S	DU529		
038		265995-6	TAPPING SCREW 4X18	2				
040		651263-7	SWITCH SGEL206C	1			DB412	
040-1		651263-7	SWITCH SGEL206C	1	O	DB412		
041		857628-3	NAME PLATE 9046	1				
042		266057-3	TAPPING SCREW BIND BT 5X90	4				
043		415565-3	HANDLE COVER	1				
044		265995-6	TAPPING SCREW 4X18	2				
045		421496-6	PACKING	1				
046		415563-7	SCROLL COVER	1				
047		266020-6	TAPPING SCREW 4X12	2				
048		165096-9	RUBBER SLEEVE	1				
049		344143-1	PLATE	1				
050		266042-6	TAPPING SCREW BIND CT 4X20	2				
051		266058-1	TAPPING SCREW CT 4X12	3				
052		253874-0	FLAT WASHER 4	2				
053		415559-8	CLAMP LEVER	2				
054		257659-6	SLEEVE 4	2				
055		152457-2	PAPER CLAMP COMPLETE	2				
	C10	421498-2	CLAMP RUBBER	2				
056		256104-8	PIN 3	4				
057		316619-8	BALANCER	1				
058		266071-9	HEX. SOCKET HEAD BOLT M5X16	1				
059		213755-0	O RING 75	1				

A:9046(H)

Interchange  
O : Yes  
X : No  
< : the new part can be substituted for the current.  
> : the current part can be substituted for the new.  
S : Interchangeable as a set.

