



TH	THAILAND
----	----------

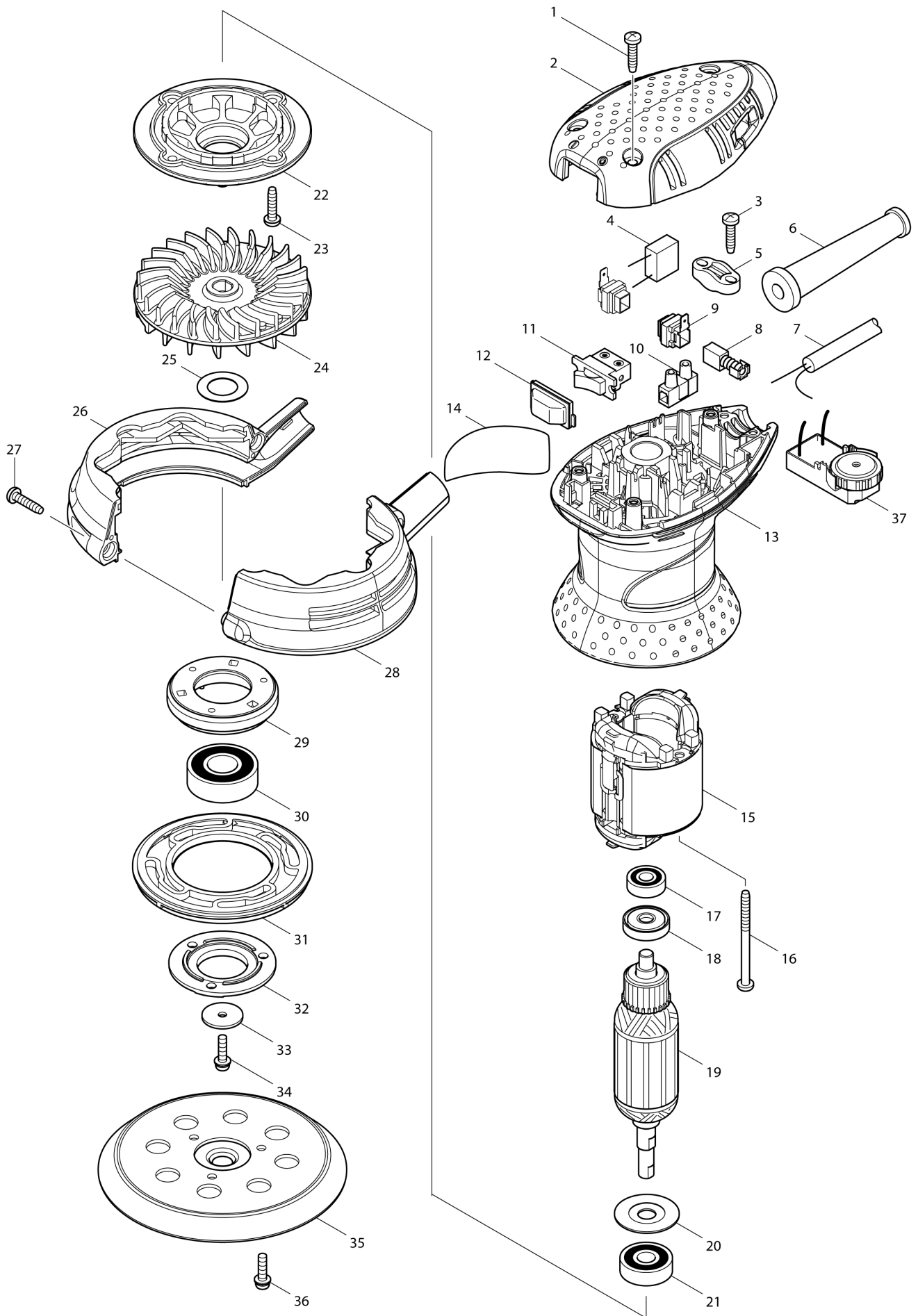
Diagram / Parts List

BO5031

RANDOM ORBIT SANDER



(TH) BO5031 / RANDOM ORBIT SANDER



TH	THAILAND
-----------	-----------------

BO5031 / RANDOM ORBIT SANDER

Item	Sub	Parts No.	Parts Description	Qty	I/C	E/C No.	Close No.	Remark
001		265995-6	TAPPING SCREW 4X18	3			C7193	
001-1		265A48-7	TAPPING SCREW 4X18	3	O	C7193		
002		450810-9	TOP COVER	1				
003		265995-6	TAPPING SCREW 4X18	2			C7193	
003-1		265A48-7	TAPPING SCREW 4X18	2	O	C7193		
005		687063-9	CORD CLAMP	1				
006		682502-4	CORD GUARD 8-85	1				
007		666053-5	POWER SUPPLY CORD 1.0-2-2.0	1			DS354	
007-1		660450-7	POWER SUPPLY CORD 1.0-2-2.0	1	<	DS354		
008		B-80086	CARBON BRUSH SET CB-419A	1			85070	
008-1		B-80422	CARBON BRUSH SET CB-419A	1	<	85070		
009		643995-0	BRUSH HOLDER	2				
010		654532-5	TERMINAL BLOCK 1P	1				
011		651527-9	SWITCH	1				
012		424039-3	SWITCH COVER	1				
013		450809-4	MOTOR HOUSING	1				
014		866159-1	BO5031 NAME PLATE	1				
015		633673-0	FIELD 220V	1				
016		266147-2	TAPPING SCREW 4X55	2			C7483	
016-1		266415-3	TAPPING SCREW 4X55	2	O	C7483		
017		210017-7	BALL BEARING 607DDW	1				
018		681652-2	INSULATION WASHER	1				
019		515733-9	ARMATURE ASS'Y 220V	1				
	D10		INC. 17,18,20,21					
020		267806-1	WASHER 9	1				
021		211092-6	BALL BEARING 629DDW	1				
022		450672-5	BRACKET	1				
023		265995-6	TAPPING SCREW 4X18	4			C7193	
023-1		265A48-7	TAPPING SCREW 4X18	4	O	C7193		
024		241673-2	FAN 88	1				
025		267164-5	FLAT WASHER 15	1				
026		188579-2	SKIRT L/R SET	1				
	D10		INC. 28					
027		265995-6	TAPPING SCREW 4X18	2			C7193	
027-1		265A48-7	TAPPING SCREW 4X18	2	O	C7193		
028		188579-2	SKIRT L/R SET	1				
	D10		INC. 26					
029		318304-9	BEARING BOX	1				
030		211228-7	BALL BEARING 6202DDW	1				
031		424131-5	BRAKE RING	1				
032		318303-1	BEARING BOX COVER	1				
033		253739-6	FLAT WASHER 4	1				
034		911128-8	P.H.SCREW M4X16 WITH WR	1				
035		743081-8	PAD 123	1				
036		911128-8	P.H.SCREW M4X16 WITH WR	3				
037		631832-0	CONTROLLER	1				
A01		135246-0	DUST BOX ASSEMBLY	1			86326	
	D10		INC. A02-A05				86326	
A02		450770-5	DUST BOX	1			86326	
A03		450769-0	DUST NOZZLE	1			86326	
A04		424144-6	RUBBER SLEEVE	1			86326	
A05		232246-2	LEAF SPRING	2			86326	
A06		794544-7	ABRASIVE DISC 125 #120	1				
A07		166078-4	DUST BAG	1	S	86326		
A08		257202-1	RING 25	1	S	86326		
A09		416063-0	DUST BAG NOZZLE	1	S	86326		
A10		416064-8	DUST NOZZLE	1	S	86326		
F02		192349-3	JOINT 25	1				
F10-1		196152-4	FELT PAD SET	1	O	95960		
F12		195134-3	FILTER SET	1		86578		
F13		195133-5	FILTER SET	1				
F14		197468-0	PAD 123 SET(EU)	1		A9433		

A:BO5031(H)

Interchange
O : Yes
X : No
< : the new part can be substituted for the current.
> : the current part can be substituted for the new.
S : Interchangeable as a set.