



TH	THAILAND
----	----------

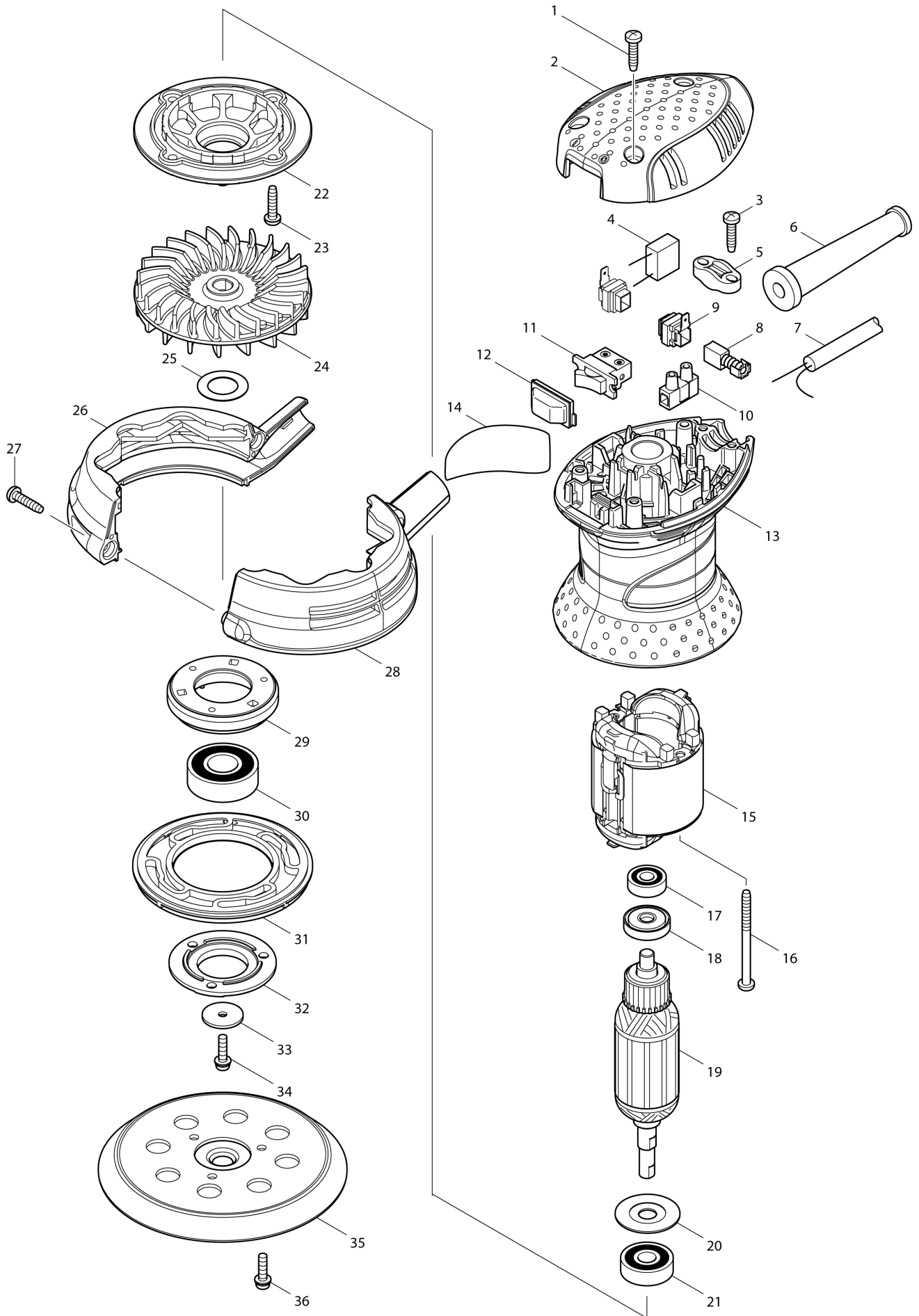
Diagram / Parts List

BO5030

RANDOM ORBIT SANDER



(TH) BO5030 / RANDOM ORBIT SANDER



TH	THAILAND
-----------	-----------------

BO5030 / RANDOM ORBIT SANDER

Item	Sub	Parts No.	Parts Description	Qty	I/C	E/C No.	Close No.	Remark
001		265995-6	TAPPING SCREW 4X18	3			C7193	
001-1		265A48-7	TAPPING SCREW 4X18	3	O	C7193		
002		450071-1	TOP COVER	1				
003		265995-6	TAPPING SCREW 4X18	2			C7193	
003-1		265A48-7	TAPPING SCREW 4X18	2	O	C7193		
005		687063-9	CORD CLAMP	1				
006		682502-4	CORD GUARD 8-85	1				
007		666053-5	POWER SUPPLY CORD 1.0-2-2.0	1			DS354	
007-1		660450-7	POWER SUPPLY CORD 1.0-2-2.0	1	<	DS354		
008		A-81284	CARBON BRUSH CB-419A	1			83185	
008-1		B-80086	CARBON BRUSH SET CB-419A	1	O	83185	85070	
008-2		B-80422	CARBON BRUSH SET CB-419A	1	<	85070		
009		643995-0	BRUSH HOLDER	2				
011		651527-9	SWITCH	1				
012		424039-3	SWITCH COVER	1				
013		450671-7	MOTOR HOUSING	1				
014		865589-3	BO5030 NAME PLATE	1				
015		633673-0	FIELD 220V	1				
016		266147-2	TAPPING SCREW 4X55	2			C7483	
016-1		266415-3	TAPPING SCREW 4X55	2	O	C7483		
017		210017-7	BALL BEARING 607DDW	1				
018		681652-2	INSULATION WASHER	1				
019		515733-9	ARMATURE ASS'Y 220V	1				
	D10		INC. 17,18,20,21					
020		267806-1	WASHER 9	1				
021		211092-6	BALL BEARING 629DDW	1				
022		450672-5	BRACKET	1				
023		265995-6	TAPPING SCREW 4X18	4			C7193	
023-1		265A48-7	TAPPING SCREW 4X18	4	O	C7193		
024		241673-2	FAN 88	1				
025		267164-5	FLAT WASHER 15	1				
026		188579-2	SKIRT L/R SET	1				
	D10		INC. 28					
027		265995-6	TAPPING SCREW 4X18	2			C7193	
027-1		265A48-7	TAPPING SCREW 4X18	2	O	C7193		
028		188579-2	SKIRT L/R SET	1				
	D10		INC. 26					
029		318304-9	BEARING BOX	1				
030		211228-7	BALL BEARING 6202DDW	1				
031		424131-5	BRAKE RING	1				
032		318303-1	BEARING BOX COVER	1				
033		253739-6	FLAT WASHER 4	1				
034		911128-8	P.H.SCREW M4X16 WITH WR	1				
035		743081-8	PAD 123	1				
036		911128-8	P.H.SCREW M4X16 WITH WR	3				
A01		166078-4	DUST BAG	1			Y08284	
A01-1		135222-4	DUST BAG ASS'Y	1	<	Y08284		
	C10	166078-4	DUST BAG	1		Y08284		
	D10		INC. A02-A04			Y08284		
A02		257202-1	RING 25	1				
A03		416063-0	DUST BAG NOZZLE	1				
A04		416064-8	DUST NOZZLE	1				
A05		794544-7	ABRASIVE DISC 125 #120	1				
F02		192349-3	JOINT 25	1				
F10		195134-3	FILTER SET	1		86578		
F11		195133-5	FILTER SET	1				
F12		197468-0	PAD 123 SET(EU)	1		A9433		

A:BO5030(H)	Interchange O : Yes X : No < : the new part can be substituted for the current. > : the current part can be substituted for the new. S : Interchangeable as a set.
-------------	---