



TH	THAILAND
----	----------

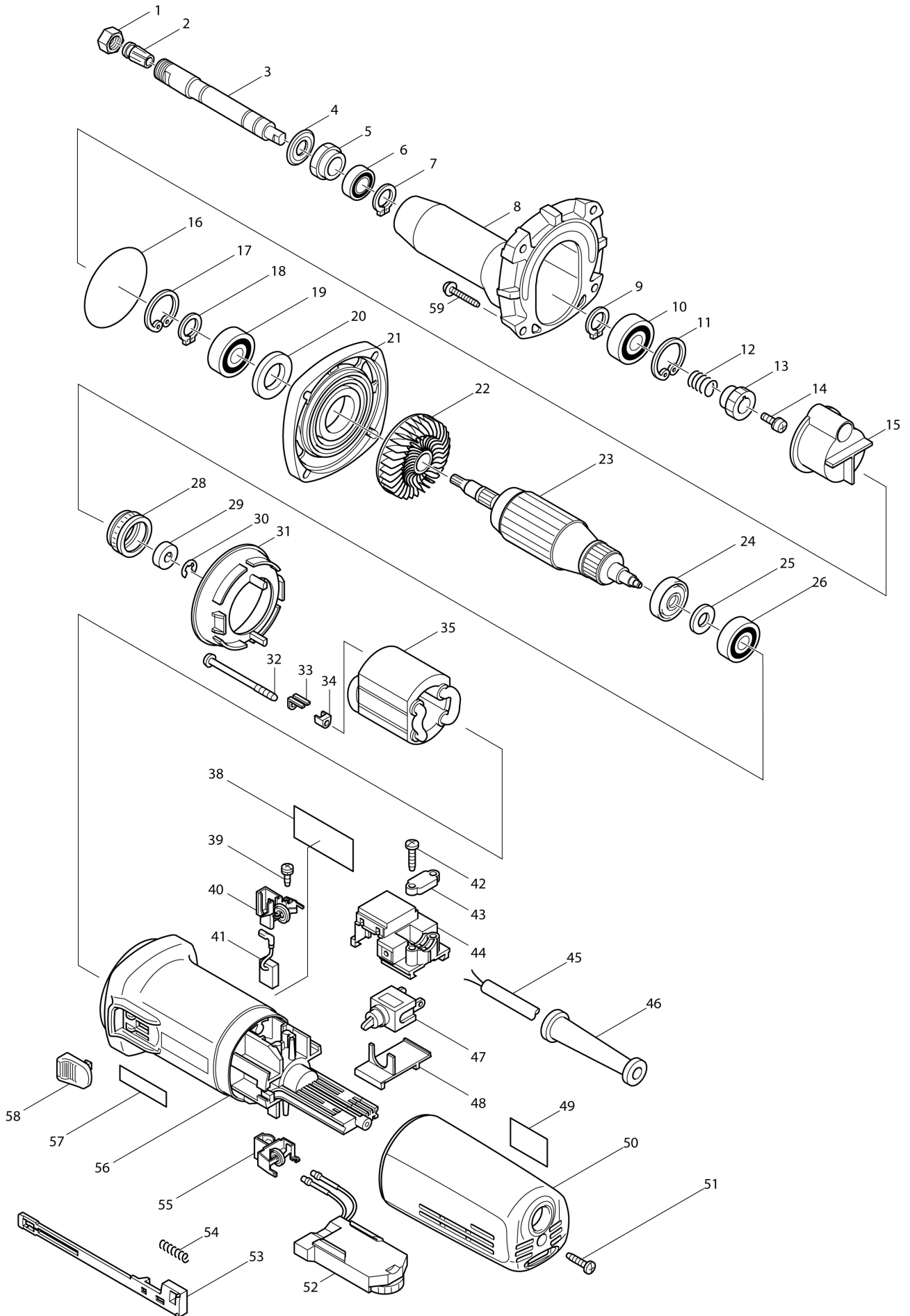
# Diagram / Parts List

**GD0810C**

**DIE GRINDER**



(TH) GD0810C / DIE GRINDER



TH	THAILAND
----	----------

### GD0810C / DIE GRINDER

Item	Sub	Parts No.	Parts Description	Qty	I/C	E/C No.	Close No.	Remark
001		763645-2	COLLET NUT	1				
002		193012-1	COLLET CONE 6 SET	1				
	C10	763646-0	COLLET CONE 6	1				
	D10		INC. 1					
003		324042-3	SPINDLE	1				
004		213209-7	OIL SEAL 16	1				
005		285700-5	BEARING RETAINER	1				
006		211141-9	BALL BEARING 6901LLB	1				
007		961052-5	RETAINING RING (EXT) S-12	1				
008		317369-8	BARREL	1				
009		961052-5	RETAINING RING (EXT) S-12	1				
010		211142-7	BALL BEARING 6001LLB	1			65891A	
010-1		211148-5	BALL BEARING 6001ZZ	1	<	65891A		
011		962106-1	RETAINING RING R-28	1				
012		233901-9	LOCK SPRING 12	1				
013		226531-3	HELICAL GEAR 25	1				
014		265082-1	PAN HEAD SCREW M4X8	1				
015		417363-1	GEAR COVER	1				
016		213611-4	O RING 46	1				
017		962106-1	RETAINING RING R-28	1				
018		961052-5	RETAINING RING (EXT) S-12	1				
019		211142-7	BALL BEARING 6001LLB	1			65891A	
019-1		211148-5	BALL BEARING 6001ZZ	1	<	65891A		
020		253084-9	FLAT WASHER 12	1				
021		317367-2	BEARING BOX	1				
022		240036-9	FAN 57	1				
023A		515198-5	ARMATURE ASS'Y 220V	1			66600	
	D10		INC. 22,24-26				66600	
023A1		515213-5	ARMATURE ASS'Y 220V	1	S	66600		
	D10		INC. 22,24-26			66600		
024		681656-4	INSULATION WASHER	1				
025		253823-7	FLAT WASHER 7	1				
026		210023-2	BALL BEARING 627DDW	1				
028		421770-2	LABYRINTH RUBBER RING 22	1				
029		688117-5	MAGNET SLEEVE	1				
030		961011-9	STOP RING E-4	1			66600	
030-1		259039-2	SELF LOCK 6	1	S	66600		
031		413076-2	BAFFLE PLATE	1				
032		266259-1	TAPPING SCREW 4X60	2				
033		344871-8	RETAINER	2				
034		417237-6	INSULATION COVER	2			DH253	
035A		626528-6	FIELD 220V	1			DH253	
035A1		621B73-8	FIELD 220V	1	S	DH253		
038		852418-9	NAME PLATE GD0810C	1			98902	
038-1		814S06-4	NAME PLATE GD0810C	1	<	98902		
039		266256-7	TAPPING SCREW PT3X10	4				
040		643762-3	BRUSH HOLDER	1				
040-1		643760-7	BRUSH HOLDER	1	O	62170		
041		191974-7	A.C. CARBON BRUSH CB-310	1				
041-1		191978-9	A.C. CARBON BRUSH CB-318	1	X	61894	85070	
041-2		194999-0	A.C. CARBON BRUSH SET CB-318	1	<	85070	DV721	
041-3		191978-9	A.C. CARBON BRUSH CB-318	1	O	DV721		
042		265995-6	TAPPING SCREW 4X18	2				
043B		687053-2	STRAIN RELIEF	1			DU529	
043B1		687052-4	STRAIN RELIEF	1	S	DU529		
044		632999-7	SWITCH BLOCK	1				
045L		691015-4	POWER SUPPLY CORD 0.75-2-2.5	1			DU529	
045L1		660518-9	POWER SUPPLY CORD 0.75-2-2.5	1	S	DU529		
046		682566-8	CORD GUARD 10	1			DU529	
046-1		682559-5	CORD GUARD 8	1	S	DU529		
047		651418-4	SWITCH ST115A-40	1			DB412	
047-1		651418-4	SWITCH ST115A-40	1	O	DB412		
048		687113-0	COVER	1				
049A		816802-2	INDICATION LABEL	1			DU648	
049A1		804Y16-5	INDICATION LABEL	1	<	DU648		

A:GD0810C(H)

Interchange  
O : Yes  
X : No  
< : the new part can be substituted for the current.  
> : the current part can be substituted for the new.  
S : Interchangeable as a set.

