



TH	THAILAND
----	----------

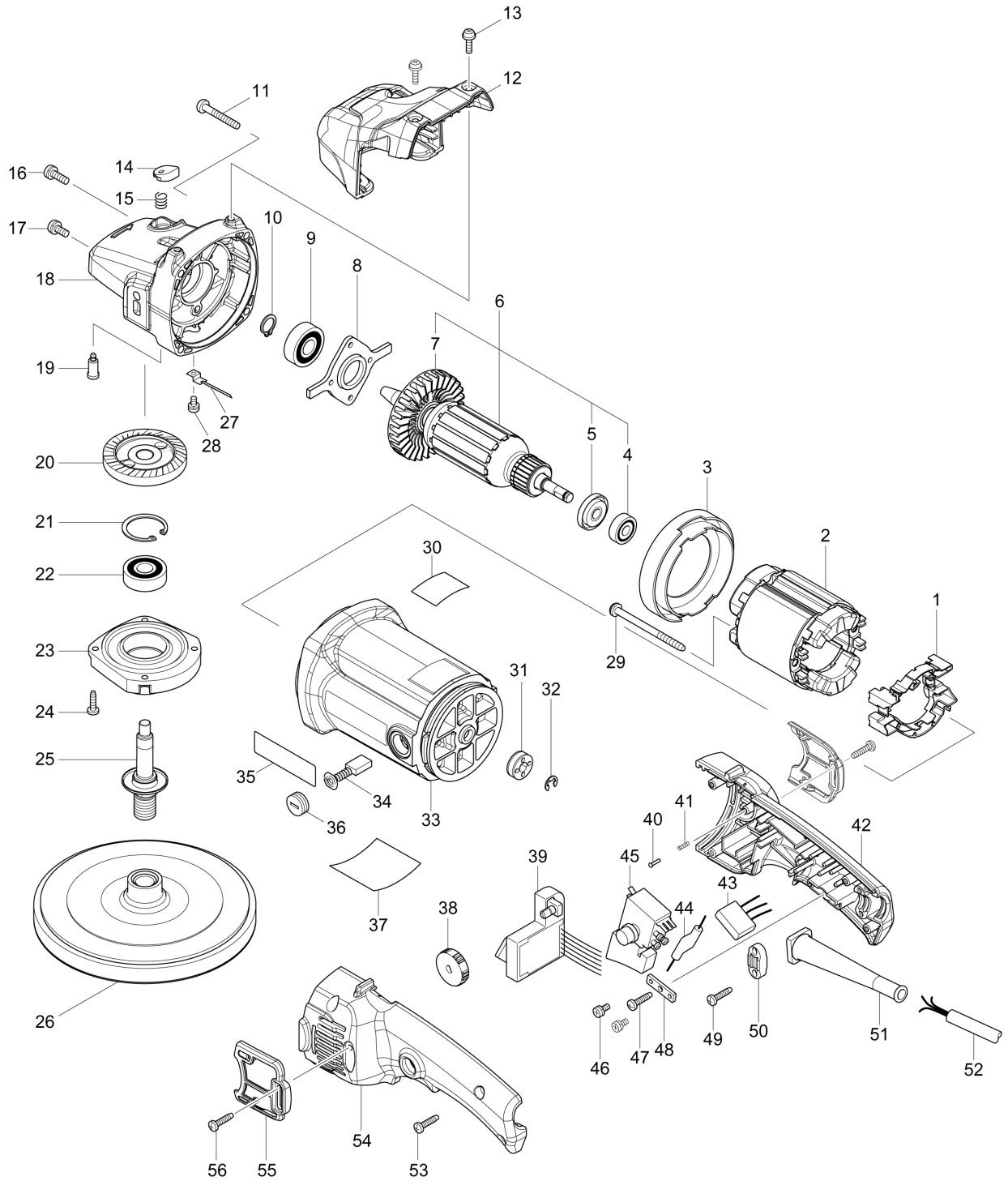
# Diagram / Parts List

**9237C**

**180MM POLISHER**



(TH) 9237C / 180MM POLISHER



TH	THAILAND
----	----------

### 9237C / 180MM POLISHER

Item	Sub	Parts No.	Parts Description	Qty	I/C	E/C No.	Close No.	Remark
001		539168-0	SUPPORT ASS'Y	1				
	C10	654020-2	RING TERMINAL	1				
	C20	654501-6	CONNECTOR P-1.25	1				
002		634293-3	FIELD 220/240V	1				
003		416253-5	BAFFLE PLATE	1				
004		211031-6	BALL BEARING 608LLB	1				
005		681644-1	INSULATION WASHER	1				
006		516308-7	ARMATURE ASS'Y 220/240V	1				
	D10		INC. 4,5,7					
007		240002-6	FAN 70	1				
008		285687-1	BEARING RETAINER 48	1				
009		211106-1	BALL BEARING 6201LLB	1				
010		961052-5	RETAINING RING (EXT) S-12	1				
011		266012-5	TAPPING SCREW 5X35	4				
012		455291-2	HEAD COVER	1				
013		911118-1	PAN HEAD SCREW M4X12	2				
014		415491-6	PIN CAP	1				
015		233072-2	COMPRESSION SPRING 8	1				
016		911221-8	PAN HEAD SCREW M5X16	1				
017		911211-1	PAN HEAD SCREW M5X12	1				
018		142747-1	GEAR HOUSING COMPLETE	1				
019		256504-2	SHOULDER PIN 9	1				
020		227512-0	SPIRAL BEVEL GEAR 52	1				
021		962151-6	RETAINING RING R-32	1				
022		211106-1	BALL BEARING 6201LLB	1				
023		316896-2	BEARING BOX	1				
024		266034-5	TAPPING SCREW CT 4X16	4				
025		152553-6	SPINDLE COMPLETE	1				
	C10	344347-5	LABYRINTH RING	1				
026		743054-1	PAD 165	1				
027		632783-0	LEAD UNIT	1				
028		652014-1	PAN HEAD SCREW M4X8	1				
029		266038-7	TAPPING SCREW 5X70	2				
030		804M47-2	INDICATION LABEL	1				
031		688110-9	MAGNET SLEEVE	1				
032		961012-7	STOP RING E-6	1				
033		187958-1	MOTOR HOUSING SET	1				
	C10	643708-9	BRUSH HOLDER 5-11	2				
034		B-80379	CARBON BRUSH SET CB-303A	1				
036		643750-0	BRUSH HOLDER CAP 7-11	2			B4206	
036-1		643515-0	HOLDER CAP 7-11	2	O	B4206	DT602	
036-2		643750-0	BRUSH HOLDER CAP 7-11	2	O	DT602		
037		815Y28-3	9237C NAME PLATE	1				
038		271417-6	DIAL 28	1				
039		631227-7	CONTROLLER 200-250V	1				
040		255058-6	RIVET 2	1				
041		233002-3	COMPRESSION SPRING 3	1				
042		187917-5	HANDLE SET	1				
	D10		INC. 54					
045		651282-3	SWITCH	1				
046		652014-1	PAN HEAD SCREW M4X8	2				
047		265995-6	TAPPING SCREW 4X18	1				
048		654571-5	TERMINAL BLOCK	1				
049		265995-6	TAPPING SCREW 4X18	2				
050		687053-2	STRAIN RELIEF	1				
051		682573-1	CORD GUARD 10	1				
052		691134-6	POWER SUPPLY CORD 0.75-3-2.5	1				
053		265995-6	TAPPING SCREW 4X18	4				
054		187917-5	HANDLE SET	1				
	D10		INC. 42					
055		455288-1	DUST COVER	2				
056		265995-6	TAPPING SCREW 4X18	2				
A01		266171-5	HEX. SOCKET HEAD BOLT M8X25	2				
A02		783204-6	HEX. WRENCH 6	1				
A03		262542-4	SLEEVE 18	1				

A:9237C(H)

Interchange  
O : Yes  
X : No  
< : the new part can be substituted for the current.  
> : the current part can be substituted for the new.  
S : Interchangeable as a set.

