



TH	THAILAND
----	----------

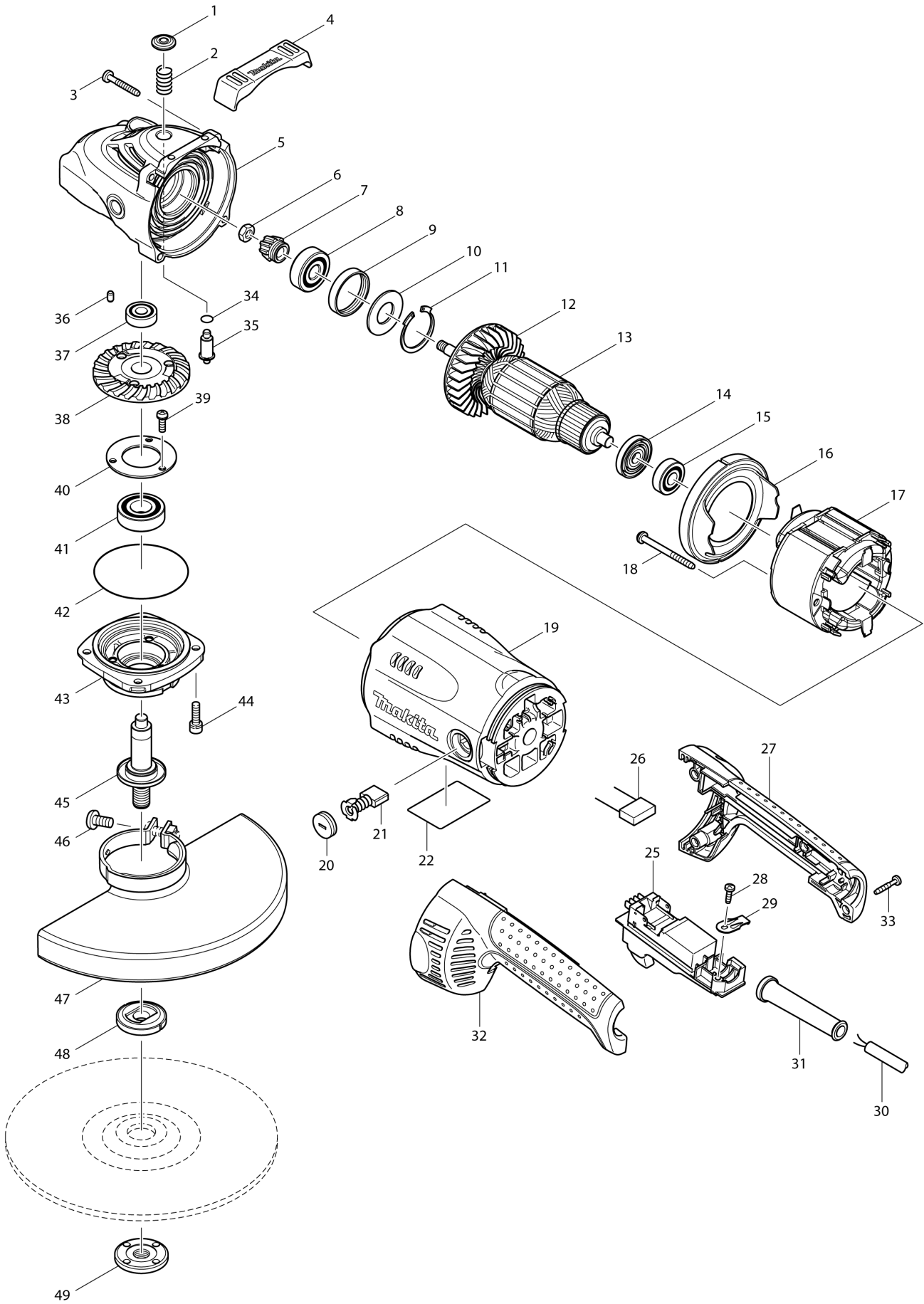
Diagram / Parts List

GA9020

ANGLE GRINDER 230MM



(TH) GA9020 / ANGLE GRINDER 230MM



TH	THAILAND
----	----------

GA9020 / ANGLE GRINDER 230MM

Item	Sub	Parts No.	Parts Description	Qty	I/C	E/C No.	Close No.	Remark
001-2		419133-4	PIN CAP	1				
002		233292-8	COMPRESSION SPRING 12	1				
003		266373-3	TAPPING SCREW 5X35	4				
004		419144-9	BUMPER	1				
005		154685-5	GEAR HOUSING COMPLETE	1			Y05292	
	C10	262118-7	FELT RING 18	1			Y05292	
005-1		154685-5	GEAR HOUSING COMPLETE	1	O	Y05292	Y05442	
	C10	262118-7	FELT RING 18	1		Y05292	Y05442	
	C20	419134-2	LABYRINTH PLATE	1		Y05292	Y05442	
005-2		154685-5	GEAR HOUSING COMPLETE	1	O	Y05442	A2702	
	C10	262118-7	FELT RING 18	1		Y05442	A2702	
005-3		142754-4	GEAR HOUSING COMPLETE	1	<	A2702		
	C10	262118-7	FELT RING 18	1		A2702		
006		252194-9	HEX. NUT M8	1				
007		227490-4	SPIRAL BEVEL GEAR 12	1				
008		211132-0	BALL BEARING 6301DDW	1				
009		262085-6	RUBBER RING 38	1				
010		267299-2	FLAT WASHER 20	1				
011		962211-4	RETAINING RING R-42	1				
012		240081-4	FAN 80	1				
013		516943-1	ARMATURE ASS'Y 220V	1			81730	
	D10		INC. 12,14,15				81730	
013-1		517793-7	ARMATURE ASS'Y 220V	1	<	81730	88791	
	D10		INC. 12,14,15			81730	88791	
013-2		510125-7	ARMATURE ASS'Y 220V	1	O	88791		
	D10		INC. 12,14,15			88791		
014		681630-2	INSULATION WASHER	1				
015		210075-3	BALL BEARING 6200DDW	1			88791	
015-1		211087-9	BALL BEARING 6200DDW	1	O	88791		
016		419135-0	BAFFLE PLATE	1				
017		526158-2	FIELD ASS'Y 220V	1			83243	
	C10	654197-3	RING TERMINAL	2			83243	
	C20	654502-4	CONNECTOR P-2	2			83243	
017-1		526178-6	FIELD ASS'Y 220V	1	O	83243		
	C10	654197-3	RING TERMINAL	2		83243		
	C20	654502-4	CONNECTOR P-2	2		83243		
018		266329-6	TAPPING SCREW 5X60	2			91941	
018-1		266044-2	TAPPING SCREW 5X60	2	O	91941		
019		154671-6	MOTOR HOUSING COMPLETE	1				
	C10	643712-8	BRUSH HOLDER	2				
020		643700-5	BRUSH HOLDER CAP 7-18	2				
021		A-81337	CARBON BRUSH CB-204A	1			83185	
021-1		B-80145	CARBON BRUSH SET CB-204A	1	O	83185	85070	
021-2		B-80357	CARBON BRUSH SET CB-204A	1	<	85070		
022		861762-3	GA9020 NAME PLATE	1				
025		651176-2	SWITCH 1267.4109	1			82694	
025-1		650101-0	SWITCH TG08-1100-011	1	O	82694		
027		188059-8	HANDLE SET	1				
	C10	423350-0	SPONGE SHEET	1				
	D10		INC. 32					
028		266385-6	TAPPING SCREW 4X14	1				
029		687678-2	STRAIN RELIEF	1			DU465	
029-1		687169-3	STRAIN RELIEF	1	S	DU465		
030		691216-4	POWER SUPPLY CORD 1.25-2-2.5	1			DU465	
030-1		692171-3	POWER SUPPLY CORD 1.5-2-2.5	1	S	DU465		
031		682560-0	CORD GUARD 10	1				
032		188059-8	HANDLE SET	1				
	C10	423350-0	SPONGE SHEET	1				
	D10		INC. 27					
033		266374-1	TAPPING SCREW 4X25	4				
034		213062-1	O RING 9	1				
035-2		256491-5	SHOULDER PIN 5	1				
036		263002-9	RUBBER PIN 4	1				
037		210067-2	BALL BEARING 6000ZZ	1			88791	
037-1		211062-5	BALL BEARING 6000ZZ	1	O	88791		

A:GA9020(H)

Interchange
O : Yes
X : No
< : the new part can be substituted for the current.
> : the current part can be substituted for the new.
S : Interchangeable as a set.

