



TH	THAILAND
----	----------

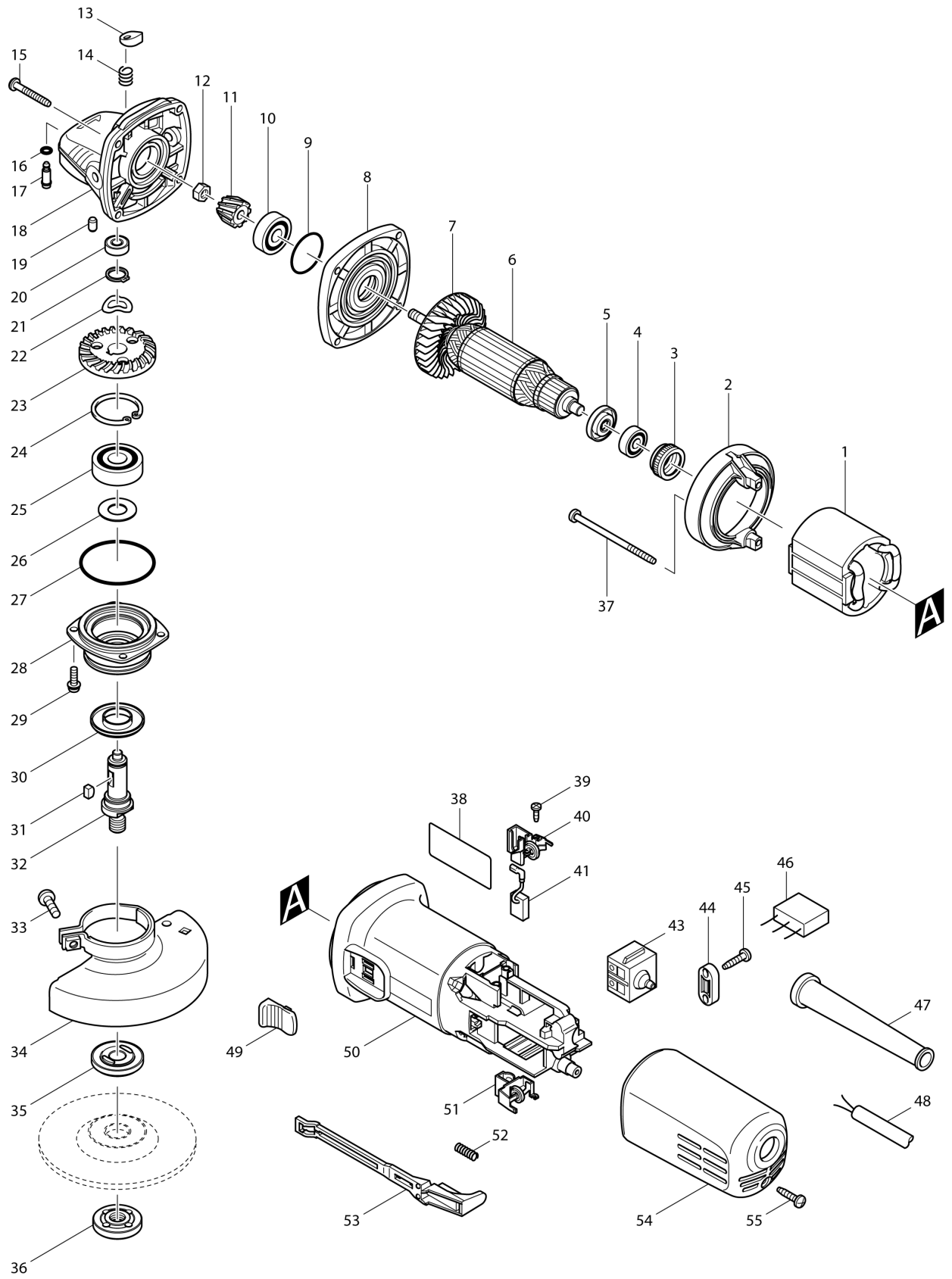
Diagram / Parts List

9553NB

100MM ANGLE GRINDER



(TH) 9553NB / 100MM ANGLE GRINDER



TH	THAILAND
-----------	-----------------

9553NB / 100MM ANGLE GRINDER

Item	Sub	Parts No.	Parts Description	Qty	I/C	E/C No.	Close No.	Remark
001		621713-6	FIELD 220-240V	1				
002		418795-5	BAFFLE PLATE	1			B9330	
002-1		457793-4	BAFFLE PLATE	1	<	B9330		
003		421868-5	LABYRINTH RUBBER RING 19	1			DD769	
003-1		422768-2	LABYRINTH RUBBER RING19	1	<	DD769		
004		210034-7	BALL BEARING 607LLB	1			88786	
004-1		211021-9	BALL BEARING 607LLB	1	O	88786		
005-1		681636-0	INSULATION WASHER	1				
006		515619-7	ARMATURE ASS'Y 220-240V	1			88786	
	D10		INC. 4,5,7				88786	
006-1		510086-1	ARMATURE ASS'Y 220-240V	1	O	88786		
	D10		INC. 4,5,7			88786		
007		240076-7	FAN 56	1				
008		317821-6	GEAR HOUSING COVER	1				
009		213445-5	O-RING 26	1				
010-2		210042-8	BALL BEARING 629LLB	1				
011		227471-8	SPIRAL BEVEL GEAR 11	1				
012		252186-8	HEX. NUT M6	1				
013		417771-6	PIN CAP	1				
014		233376-2	COMPRESSION SPRING 8	1				
015		266361-0	TAPPING SCREW 4X30	4			C0991	
015-1		265654-2	TAPPING SCREW 4X30	4	O	C0991		
016		213960-9	O RING 5	1				
017		256486-8	SHOULDER PIN 4	1				
018		317814-3	GEAR HOUSING	1			C7917	
018-1		318051-2	GEAR HOUSING	1	O	C7917		
019		263002-9	RUBBER PIN 4	1				
020		210033-9	BALL BEARING 696ZZ	1			88786	
020-1		210006-2	BALL BEARING 696ZZ	1	O	88786		
021		961052-5	RETAINING RING (EXT) S-12	1				
022		267794-2	WAVE WASHER 12	1				
023-1		227506-5	SPIRAL BEVEL GEAR 36	1				
024		962151-6	RETAINING RING R-32	1				
025		211129-9	BALL BEARING 6201DDW	1				
026		267238-2	FLAT WASHER 12	1				
027		213622-9	O RING 45	1				
028		317819-3	BEARING BOX	1				
029		265099-4	PAN HEAD SCREW M4X14	4				
030		345464-4	LABYRINTH RING	1				
031		254011-9	WOODRUFF KEY 4	1				
032		324488-3	SPINDLE	1				
033		265103-9	PAN HEAD SCREW M5X14	1				
034		125266-2	WHEEL COVER 100 ASSEMBLY	1			B6931	
	D10		INC. 33				B6931	
034-1		125266-2	WHEEL COVER 100 ASSEMBLY	1	O	B6931		
	D10		INC. 33			B6931		
035		224314-5	INNER FLANGE 30	1				
036		224559-5	LOCK NUT 10-30	1				
037-1		266325-4	TAPPING SCREW 4X70	2			C0958	
037-2		265657-6	TAPPING SCREW 4X70	2	O	C0958		
038		861238-0	9553NB NAME PLATE	1				
039		266007-8	TAPPING SCREW BIND PT 3X10	4				
040		643760-7	BRUSH HOLDER	1				
041		194074-2	CARBON BRUSH CB-325	1			81116	
041-1		194486-9	CARBON BRUSH CB-325/CB-329	1	O	81116	85070	
041-2		195002-0	CARBON BRUSH SET CB-325/329	1	<	85070		
043		650560-8	SWITCH DPX-2110-R	1			85522	
043-1		650621-4	SWITCH PS10	1	O	85522		
044		687140-7	STRAIN RELIEF	1			DE694	
044-1		687124-5	STRAIN RELIEF	1	S	DE694		
045		266326-2	TAPPING SCREW 4X18	2			C0991	
045-1		265652-6	TAPPING SCREW 4X18	2	O	C0991		
047		682566-8	CORD GUARD 10	1			DE694	
047-1		682559-5	CORD GUARD 8	1	S	DE694		
048		691015-4	POWER SUPPLY CORD 0.75-2-2.5	1			DE694	

A:9553NB(H)

Interchange
O : Yes
X : No
< : the new part can be substituted for the current.
> : the current part can be substituted for the new.
S : Interchangeable as a set.

