



TH	THAILAND
----	----------

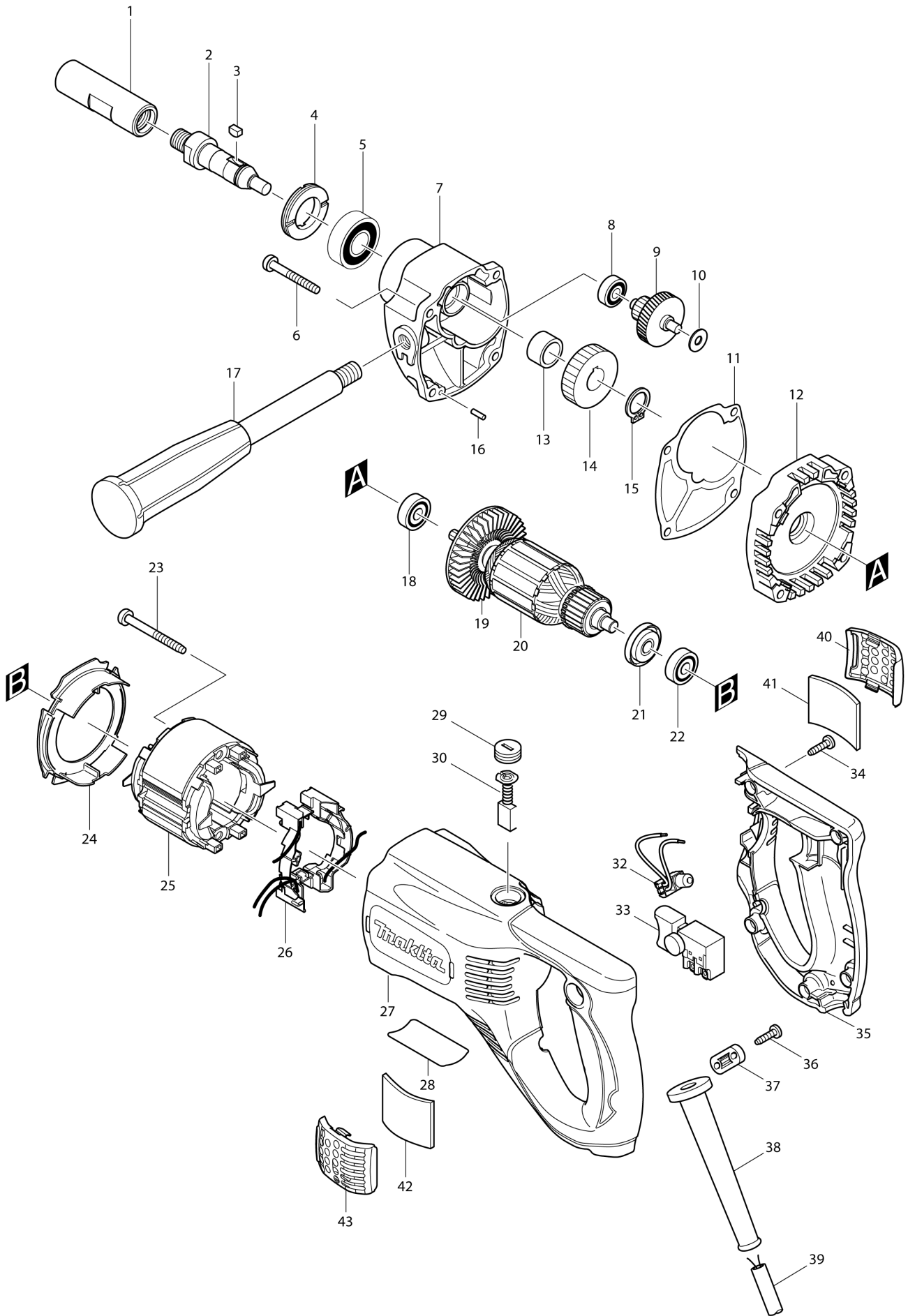
Diagram / Parts List

UT1305

MIXER



(TH) UT1305 / MIXER



TH	THAILAND
----	----------

UT1305 / MIXER

Item	Sub	Parts No.	Parts Description	Qty	I/C	E/C No.	Close No.	Remark	
001		323962-8	SHAFT HOLDER 1/2-M12	1			D5930		
001-1		323962-8	SHAFT HOLDER 1/2-M12	1	<	D5930	DK563		
001-2		327B34-3	SHAFT HOLDER 1/2-M12	1	O	DK563			
002		324259-8	SPINDLE	1					
003		254011-9	WOODRUFF KEY 4	1					
004		285807-7	BEARING RETAINER 22-36	1					
005		211206-7	BALL BEARING 6202LLB	1					
006		266211-9	TAPPING SCREW 5X40	4					
007		317551-9	GEAR HOUSING	1					
008		211021-9	BALL BEARING 607LLB	1					
009		226153-9	GEAR COMPLETE 12-41	1					
010		253804-1	FLAT WASHER 6	1					
011		419528-1	GASKET	1			80460		
011-1		419528-1	GASKET	1	O	80460			
012		153386-2	GEAR HOUSING COVER COMPLETE	1					
013		257719-4	SLEEVE 15	1					
014		226559-1	HELICAL GEAR 34	1					
015		961055-9	RETAINING RING S-15	1					
016		256180-2	PIN 3	1					
017		152892-4	GRIP COMPLETE	1					
018		211031-6	BALL BEARING 608LLB	1					
019		241850-6	FAN 60	1					
020		513653-1	ARMATURE ASS'Y 220V	1					
	D10		INC. 18,19,21,22						
021		681644-1	INSULATION WASHER	1					
022		211031-6	BALL BEARING 608LLB	1					
023		266046-8	TAPPING SCREW 5X50	2					
024		419417-0	BAFFLE PLATE	1					
025		634553-3	FIELD 220V	1					
026		638439-3	SUPPORT COMPLETE	1					
027		154874-2	MOTOR HOUSING COMPLETE	1					
	C10								
028		643708-9	BRUSH HOLDER 5-11	2					
028		862262-6	UT1305 NAME PLATE	1					
029		643750-0	BRUSH HOLDER CAP 7-11	2			B4206		
029-1		643515-0	HOLDER CAP 7-11	2	O	B4206	DT602		
029-2		643750-0	BRUSH HOLDER CAP 7-11	2	O	DT602			
030		A-81664	CARBON BRUSH CB-303A	1			83185		
030-1		B-80151	CARBON BRUSH SET CB-303A	1	O	83185	85070		
030-2		B-80379	CARBON BRUSH SET CB-303A	1	<	85070			
032		631706-5	PILOT LAMP	1					
033		650203-2	SWITCH SGEL115CD-1	1					
034		265995-6	TAPPING SCREW 4X18	5					
035		419416-2	HANDLE COVER	1					
036		265995-6	TAPPING SCREW 4X18	2					
037		687053-2	STRAIN RELIEF	1			DU529		
037-1		687052-4	STRAIN RELIEF	1	S	DU529			
038		682566-8	CORD GUARD 10	1			DU529		
038-1		682559-5	CORD GUARD 8	1	S	DU529			
039		691015-4	POWER SUPPLY CORD 0.75-2-2.5	1			DU529		
039-1		660503-2	POWER SUPPLY CORD 0.75-2-2.5	1	S	DU529			
040		345691-3	COVER	1					
041		423322-5	FILTER	1					
042		423322-5	FILTER	1					
043		345691-3	COVER	1					
A01-1		A-43692	MIXING BLADE 165	1					
A02-1		A-43751	SHAFT COMPLETE	1			Y08001		
A02-2		168349-5	SHAFT COMPLETE	1	O	Y08001			
A03		265220-5	HEX. BOLT M8X18	1					
A04		781006-4	WRENCH 13	1					
A05		781010-3	WRENCH 19	2					
A06		A-81664	CARBON BRUSH CB-303A	2			83185		
A06-1		B-80151	CARBON BRUSH SET CB-303A	2	O	83185	85070		
A06-2		B-80379	CARBON BRUSH SET CB-303A	2	<	85070	87444		
A:UT1305(H)							Interchange O : Yes X : No < : the new part can be substituted for the current. > : the current part can be substituted for the new. S : Interchangeable as a set.		