



TH	THAILAND
----	----------

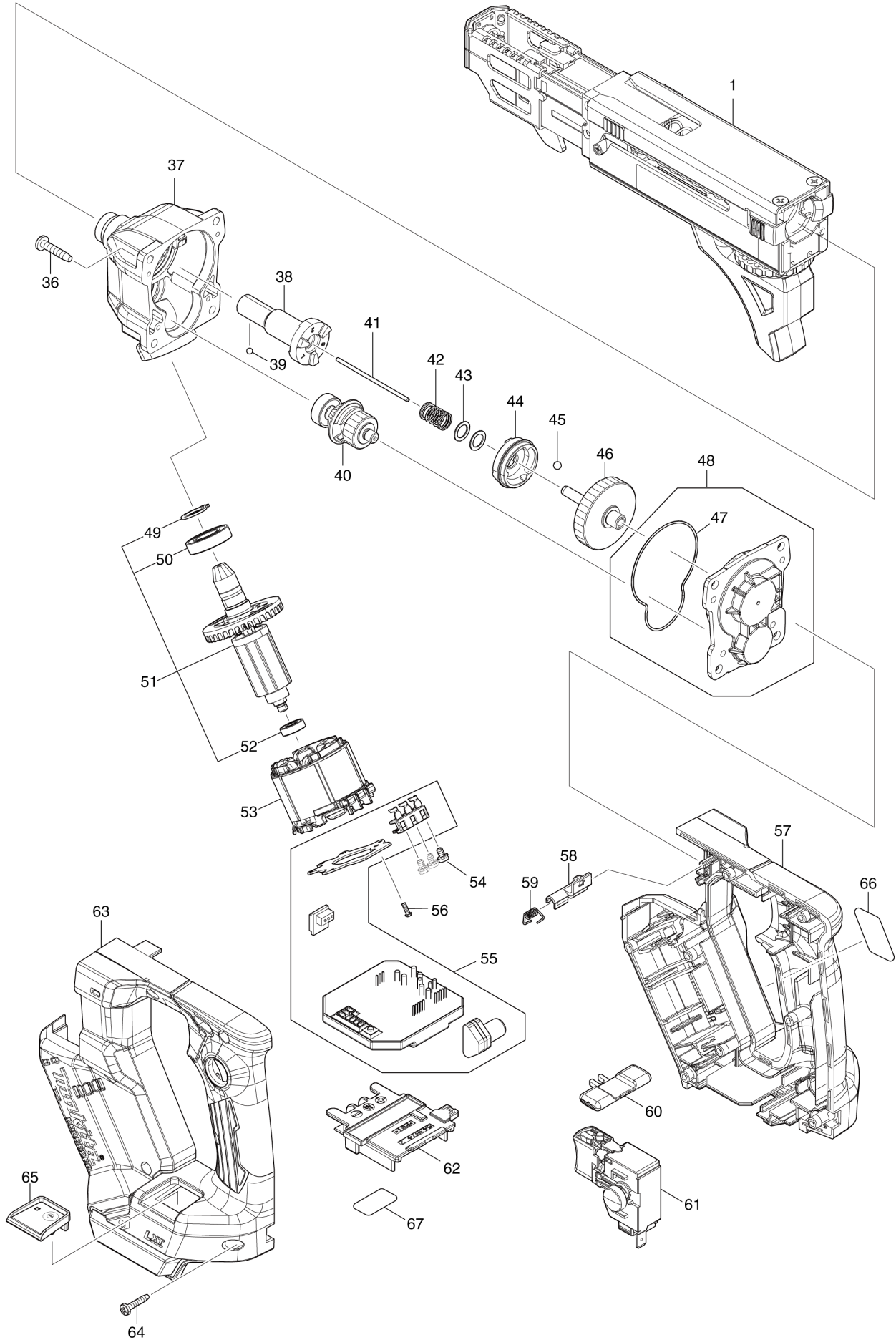
# Diagram / Parts List

**DFR551**

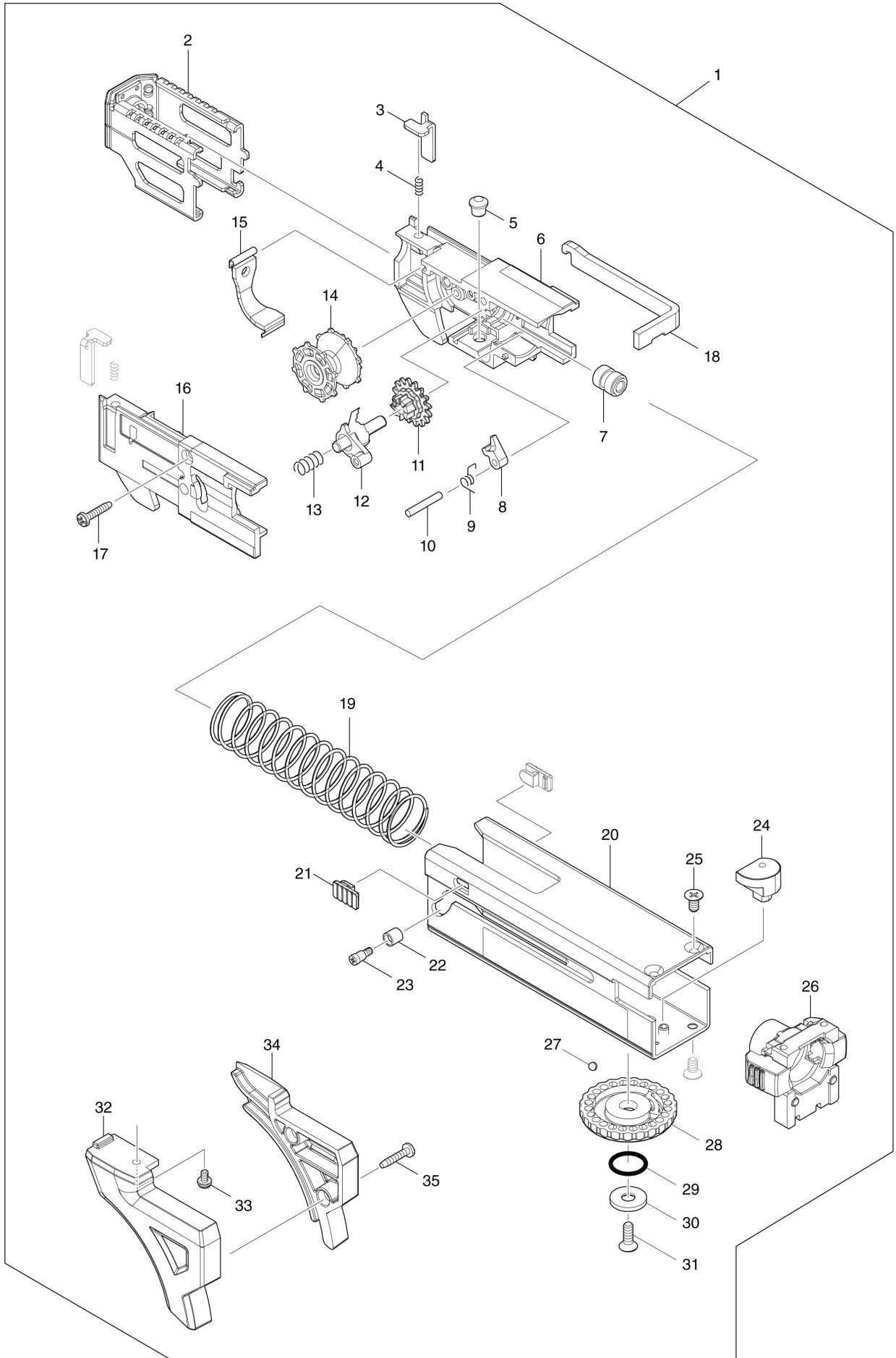
**CORDLESS AUTO FEED SCREWDRIVER**



(TH) DFR551 / CORDLESS AUTO FEED SCREWDRIVER



(TH) DFR551 / CORDLESS AUTO FEED SCREWDRIVER



<b>TH</b>	<b>THAILAND</b>
-----------	-----------------

## DFR551 / CORDLESS AUTO FEED SCREWDRIVER

Item	Sub	Parts No.	Parts Description	Qty	I/C	E/C No.	Close No.	Remark
001		191W94-5	CASING 55 SET	1			DV186	
	D10		INC. 2-35				DC561	
	D11		INC. 2-35,68			DC561	DV186	
001-1		1915G9-3	CASING 55 SET	1	O	DV186		
	D11		INC. 2-35,68			DV186		
002		141A81-2	STOPPER BASE COMPLETE	1			DV186	
	C10	422695-3	CAP	1			DV186	
002-1		1410Y6-5	STOPPER BASE COMPLETE	1	O	DV186		
	C10	422695-3	CAP	1		DV186		
003		345837-1	LEVER	2				
004		233211-4	COMPRESSION SPRING 2	2				
005		256451-7	PIN 6	1				
006		413527-5	FEEDER BOX	1				
007		257855-6	SLEEVE 5	1				
008		310062-3	STOPPER	1				
009		231636-6	TORSION SPRING 4	1				
010		256158-5	PIN 3	1				
011		226344-2	SPUR GEAR 16	1				
012		141A78-1	RATCHET ARM COMPLETE	1				
013		233212-2	COMPRESSION SPRING 6	1			DC561	
013-1		232771-3	COMPRESSION SPRING 5	1	<	DC561		
014		416518-5	WHEEL	1				
015		162934-6	DUST COVER	1				
016		141A80-4	BOX COVER COMPLETE	1				
017		266130-9	TAPPING SCREW BIND PT 3X16	1				
018		347828-8	PLATE	1				
019		232698-7	COMPRESSION SPRING 22	1				
020		141A79-9	CASING 55 COMPLETE	1				
	C10	8040Y6-3	INDICATION LABEL	1				
021		450111-5	STOPPER	2				
022		257764-9	SLEEVE 4	1				
023		265177-0	+SHOULDER FLAT HEAD SCREW M3X5	1				
024		313378-5	SHIFTER PIN	1				
025		912107-9	COUNTERSUNK HEAD SCREW M4X8	3				
026		141A77-3	CLAMPER COMPLETE	1				
	C10	263032-0	RUBBER PIN 4	2				
027		216001-0	STEEL BALL 3.5	1				
028		417056-0	DIAL 42	1				
029		213107-5	O RING 12	1				
030		267201-5	FLAT WASHER 6	1				
031		912117-6	COUNTERSUNK HEAD SCREW M4X12	1				
032		183T81-0	SCREW GUIDE SET	1			Y09465	
	D10		INC. 34				Y09465	
032-1		413A56-4	SCREW GUIDE L	1	S	Y09465	DV186	
	D10		INC. 34			Y09465	DV186	
032-2		4132A6-2	SCREW GUIDE L	1	S	DV186		
033		265A38-0	P.H.SCREW M3X6 WITH WR	1				
034		183T81-0	SCREW GUIDE SET	1			Y09465	
	D10		INC. 32				Y09465	
034-1		413A57-2	SCREW GUIDE R	1	S	Y09465	DV186	
	D10		INC. 32			Y09465	DV186	
034-2		4132A7-0	SCREW GUIDE R	1	S	DV186		
035		266130-9	TAPPING SCREW BIND PT 3X16	2				
036		266045-0	TAPPING SCREW 4X20	4				
037		141A64-2	GEAR HOUSING COMPLETE	1				
	C10	213265-7	O RING 17	1				
	C20	213380-7	O RING 24	1				
038		141A67-6	SPINDLE 270S COMPLETE	1				
039		216019-1	STEEL BALL 3	1				
040		141J99-7	GEAR COMPLETE 21-25	1				
041		268325-0	ROD 2	1				
042		234121-8	COMPRESSION SPRING 8	1				
043		267202-3	FLAT WASHER 8	2				
044		223192-0	CLUTCH CAM 270S	1				
045		216008-6	STEEL BALL 4	3				

A:DFR551Z(N)  
B:DFR551RTJ(H)

Interchange  
O : Yes  
X : No  
< : the new part can be substituted for the current.  
> : the current part can be substituted for the new.  
S : Interchangeable as a set.

