



| | |
|----|----------|
| TH | THAILAND |
|----|----------|

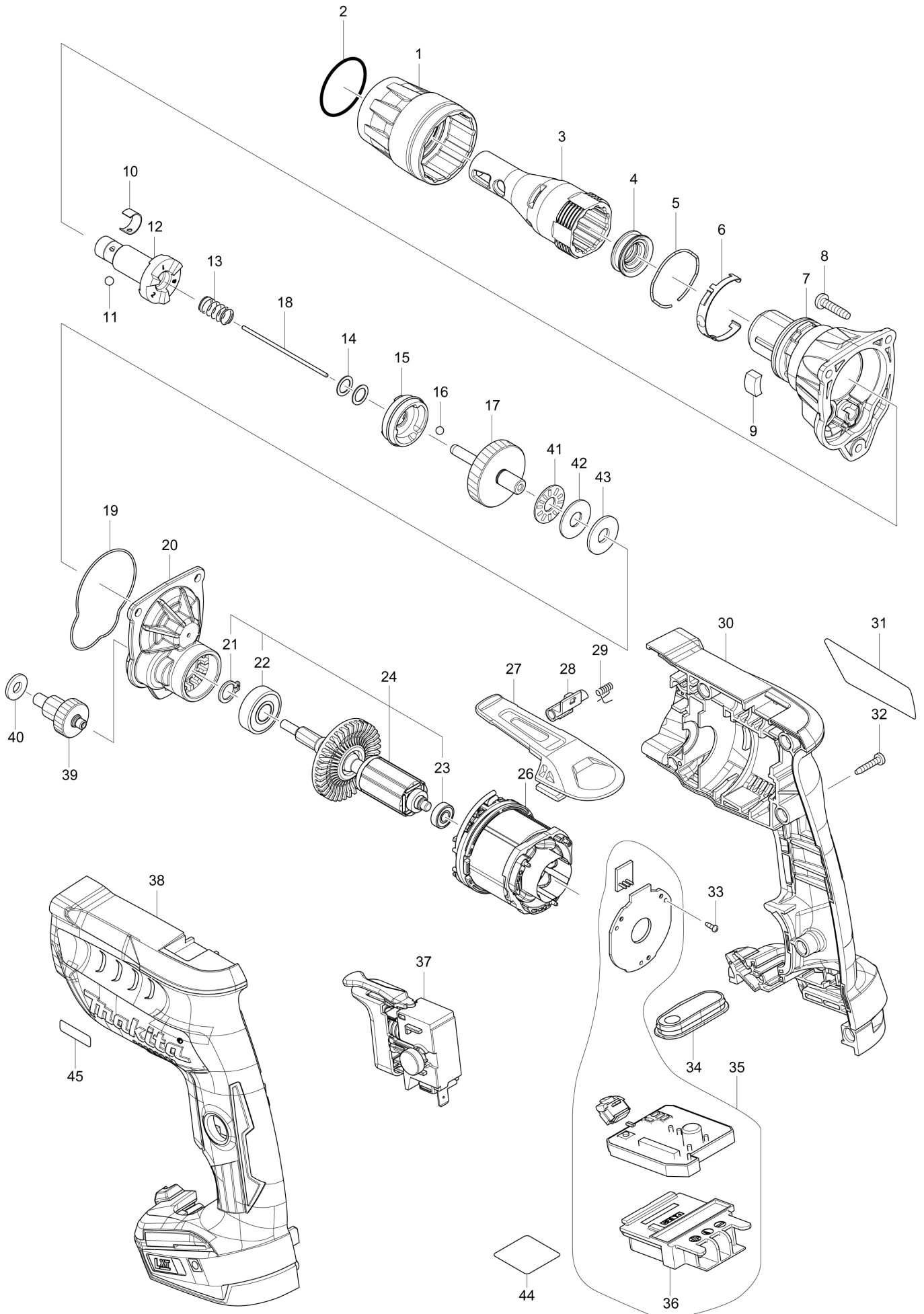
Diagram / Parts List

DFS250

CORDLESS SCREWDRIVER



(TH) DFS250 / CORDLESS SCREWDRIVER



| | |
|-----------|-----------------|
| TH | THAILAND |
|-----------|-----------------|

DFS250 / CORDLESS SCREWDRIVER

| Item | Sub | Parts No. | Parts Description | Qty | I/C | E/C No. | Close No. | Remark |
|-------|-----|-----------|-----------------------------|-----|-----|---------|-----------|--------|
| 001 | | 455591-0 | LOCK RING | 1 | | | | |
| 002 | | 424235-3 | SEAL RING 30 | 1 | | | | |
| 003 | | 158876-0 | LOCATOR L COMPLETE | 1 | | | | |
| 004 | | 424665-8 | DUST SEAL SLEEVE | 1 | | | | |
| 005 | | 234348-0 | RING SPRING 30 | 1 | | | | |
| 006 | | 232245-4 | LEAF SPRING | 1 | | | | |
| 007 | | 144156-0 | GEAR HOUSING COMPLETE | 1 | | | | |
| | C10 | 213796-6 | OIL SEAL 11 | 1 | | | | |
| 008 | | 265995-6 | TAPPING SCREW 4X18 | 3 | | | C7193 | |
| 008-1 | | 265A48-7 | TAPPING SCREW 4X18 | 3 | O | C7193 | | |
| 009 | | 423413-2 | RUBBER PLATE | 1 | | | | |
| 010 | | 232050-9 | LEAF SPRING | 1 | | | | |
| 011 | | 216001-0 | STEEL BALL 3.5 | 1 | | | | |
| 012 | | 144159-4 | SPINDLE 125S COMPLETE | 1 | | | | |
| 013 | | 234121-8 | COMPRESSION SPRING 8 | 1 | | | | |
| 014 | | 267202-3 | FLAT WASHER 8 | 2 | | | | |
| 015 | | 223181-5 | CLUTCH CAM 125S | 1 | | | | |
| 016 | | 216008-6 | STEEL BALL 4 | 3 | | | | |
| 017 | | 144160-9 | GEAR COMPLETE | 1 | | | B7161 | |
| 017-1 | | 144703-7 | GEAR COMPLETE | 1 | < | B7161 | | |
| 018 | | 256342-2 | ROD 2 | 1 | | | | |
| 019 | | 424928-2 | SEAL RING | 1 | | | | |
| 020 | | 144161-7 | GEAR HOUSING COVER COMPLETE | 1 | | | | |
| | C10 | 210003-8 | BALLBEARING 685ZZ | 1 | | | | |
| 021 | | 961005-4 | RETAINING RING S-9 | 1 | | | | |
| 022 | | 211493-8 | BALL BEARING 609DDW | 1 | | | | |
| 023 | | 210039-7 | BALL BEARING 695DDW | 1 | | | D4336 | |
| 023-1 | | 211157-4 | BALL BEARING 695ZZ | 1 | O | D4336 | | |
| 024 | | 519424-4 | ROTOR ASS'Y | 1 | | | D4336 | |
| | D10 | | INC. 21-23 | | | | D4336 | |
| 024-1 | | 510471-8 | ROTOR ASS'Y | 1 | O | D4336 | | |
| | D10 | | INC. 21-23 | | | D4336 | | |
| 026 | | 629135-4 | STATOR | 1 | | | | |
| 027 | | 162272-6 | HOOK | 1 | | | | |
| 028 | | 142908-3 | LEVER COMPLETE | 1 | | | C7675 | |
| 028-1 | | 140M84-5 | LEVER COMPLETE | 1 | < | C7675 | | |
| 029 | | 233619-2 | TORSION SPRING 3 | 1 | | | | |
| 030 | | 183F17-5 | HOUSING SET | 1 | | | | |
| | C10 | 263005-3 | RUBBER PIN 6 | 2 | | | | |
| | C20 | 252126-6 | HEX. LOCK NUT M4-7 | 2 | | | | |
| | D10 | | INC. 38 | | | | | |
| 031 | | 852V20-0 | DFS250 NAME PLATE | 1 | | | | |
| 032 | | 266130-9 | TAPPING SCREW BIND PT 3X16 | 7 | | | | |
| 033 | | 266490-9 | TAPPING SCREW PT 2X6 | 3 | | | | |
| 034 | | 144162-5 | SWITCH PLATE COMPLETE | 1 | | | | |
| 035 | | 620616-1 | CONTROLLER COMPLETE | 1 | | | | |
| | D10 | | INC. 36 | | | | | |
| 036 | | 643860-3 | TERMINAL | 1 | | | | |
| 037 | | 650733-3 | SWITCH C3JW-4B-2L | 1 | | | | |
| 038 | | 183F17-5 | HOUSING SET | 1 | | | | |
| | C10 | 263005-3 | RUBBER PIN 6 | 2 | | | | |
| | C20 | 252126-6 | HEX. LOCK NUT M4-7 | 2 | | | | |
| | D10 | | INC. 30 | | | | | |
| 039 | | 221478-6 | GEAR COMPLETE 9-23 | 1 | | | | |
| 040 | | 267100-1 | FLAT WASHER 6 | 1 | | | | |
| 041 | | 216415-3 | THRUST NEEDLE CAGE 821 | 1 | | | Y07519 | |
| 041-1 | | 216415-3 | THRUST NEEDLE CAGE 821 | 1 | O | Y07519 | | |
| 042 | | 216212-7 | WASHER 821 | 1 | | | | |
| 043 | | 261111-8 | URETHANE WASHER 8 | 1 | | | | |
| 044 | | 852V21-8 | DFS250 SERIAL NO. LABEL | 1 | | | | |
| 045 | | 810W86-2 | 2500RPM INDICATION LABEL | 1 | | | | |
| A01 | | 266622-8 | + TRUSS HEAD SCREW M4X12 | 1 | | | | |
| A02 | | 346317-0 | HOOK | 1 | | | | |
| A03 | | 784261-7 | +BIT 2-25 | 2 | | | | |
| A04 | | 784812-6 | MAGNETIC BIT HOLDER 6.35-76 | 1 | | | | |

A:DFS250Z(N)

Interchange
O : Yes
X : No
< : the new part can be substituted for the current.
> : the current part can be substituted for the new.
S : Interchangeable as a set.

