



TH	THAILAND
----	----------

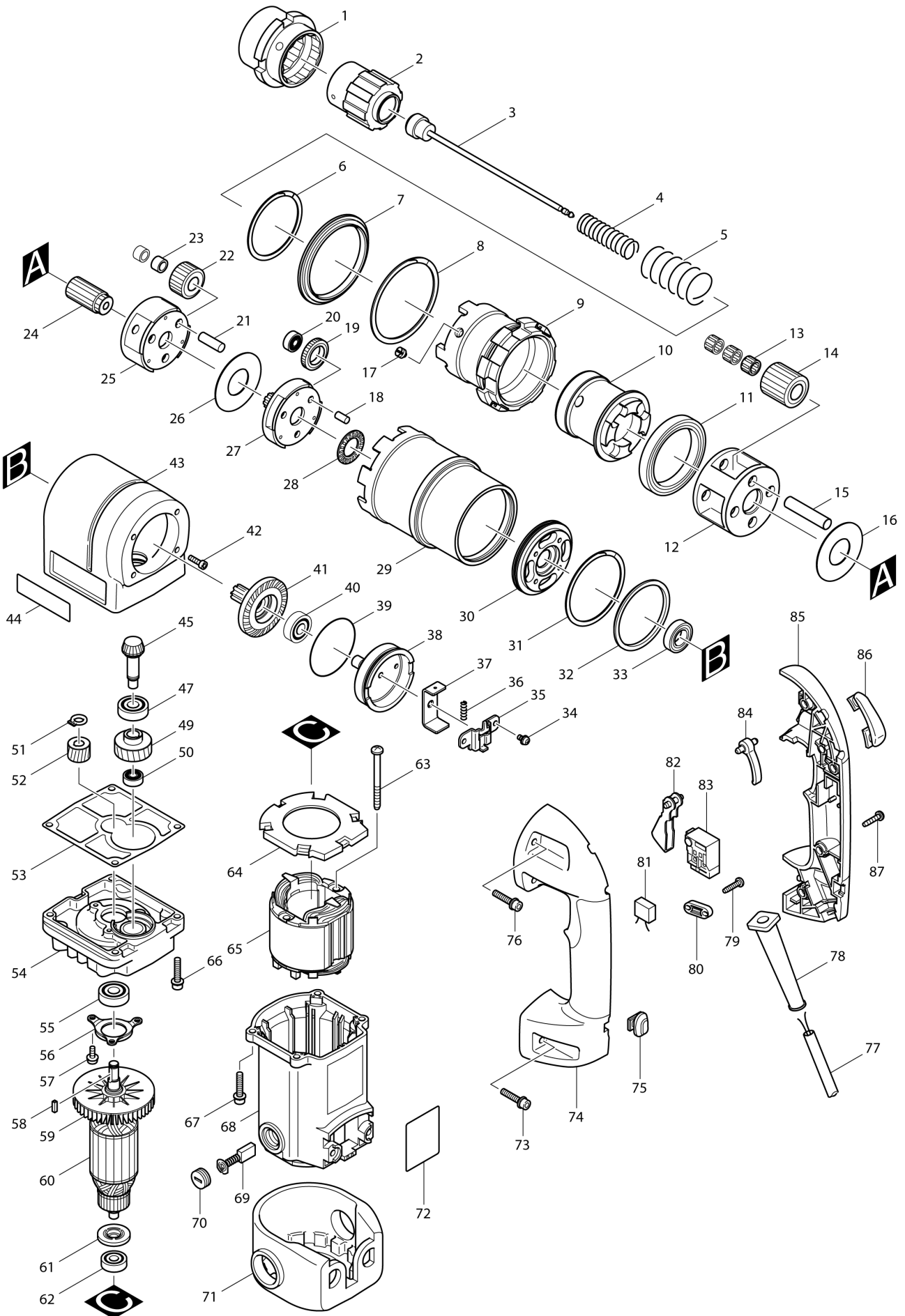
Diagram / Parts List

6924N

SHEAR WRENCH



(TH) 6924N / SHEAR WRENCH



TH	THAILAND
----	----------

6924N / SHEAR WRENCH

Item	Sub	Parts No.	Parts Description	Qty	I/C	E/C No.	Close No.	Remark
001		194034-4	OUTER SLEEVE 24-49 SET	1			DK052	
001-1		194034-4	OUTER SLEEVE 24-49 SET	1	<	DK052		
002		194036-0	INNER SLEEVE 24-49 SET	1			76120	
002-1		194311-4	INNER SLEEVE 24-49 SET	1	<	76120		
003		165404-4	CHIP ROD	1			76777	
003-1		165412-5	CHIP ROD	1	S	76777		
004		233418-2	COMPRESSION SPRING 16	1			76777	
004-1		233445-9	COMPRESSION SPRING 16	1	S	76777		
005		233420-5	COMPRESSION SPRING 28	1				
006		257945-5	RETAINING RING 68	1				
007-1		324623-3	SPACER	1				
008-1		962372-0	RETAINING RING(INT)AR-75	1			92874	
008-2		257984-5	RETAINING RING(INT)AR-75	1	O	92874		
009-1		324624-1	OUTER SUPPORT	1				
010		154492-6	INNER SUPPORT COMPLETE	1				
011		211653-2	BALL BEARING 6811	1				
012		310159-8	CARRIER B	1				
013		212078-3	NEEDLE CAGE 1010	12				
014		227144-3	SPUR GEAR 18	4				
015		268124-0	PIN 10	4				
016		267289-5	FLAT WASHER 25	1				
017		266022-2	- SET SCREW(DOG POINT) M8X8	2				
018		256211-7	PIN 6	3				
019		227140-1	SPUR GEAR 26	3				
020		211012-0	BALL BEARING 606ZZ	3				
021		268104-6	PIN 8	3				
022		227142-7	SPUR GEAR 26	3				
023		212026-2	NEEDLE CAGE 808	6				
024		227143-5	SPUR GEAR 10	1				
025		310158-0	CARRIER A	1				
026		267289-5	FLAT WASHER 25	1				
027		227141-9	SPUR GEAR 11	1				
028		216419-5	THRUST NEEDLE CAGE 1831	1				
029-1		227155-8	INTERNAL GEAR 46-64	1				
030		324519-8	BRACKET	1				
031		257943-9	RETAINING RING 68	1				
032		257263-1	RING 58	1				
033		211221-1	BALL BEARING 6902	1				
034		266199-3	HEX.SOCKET HEAD BOLT M4X6	2				
035		345476-7	PLATE GUIDE	1				
036		233421-3	COMPRESSION SPRING 4	1				
037		345493-7	STOPPER PLATE	1				
038		324521-1	ROD SUPPORTER	1				
039		213656-2	O RING 53	1				
040		211064-1	BALL BEARING 6000	1				
041		226828-0	GEAR 11-47	1				
042		922122-5	HEX.SOCKET HEAD BOLT M4X14	4				
043		183928-8	GEAR CASE SET	1				
	D10		INC. 44					
044		819001-5	MAKITA LABEL	2				
045		227483-1	SPIRAL BEVEL GEAR 15	1				
047		211097-6	BALL BEARING 6000LLB	1				
049-1		194100-7	HELICAL GEAR 27 SET	1				
050		211012-0	BALL BEARING 606ZZ	1				
051		961004-6	RETAINING RING (EXT) S-8	1				
052		226597-3	HELICAL GEAR 15	1				
053		418801-6	GASKET	1				
054		317835-5	GEAR HOUSING	1				
055		211097-6	BALL BEARING 6000LLB	1				
056		344470-6	BEARING RETAINER	1				
057		251308-7	+ PAN HEAD SCREW M4X10	3				
058		254236-5	KEY 3	1				
059		241863-7	FAN 70	1				
060		513592-5	ARMATURE ASS'Y 200-220V	1				
	D10		INC. 59,61,62					

A:6924N(H)

Interchange
O : Yes
X : No
< : the new part can be substituted for the current.
> : the current part can be substituted for the new.
S : Interchangeable as a set.

