



TH	THAILAND
----	----------

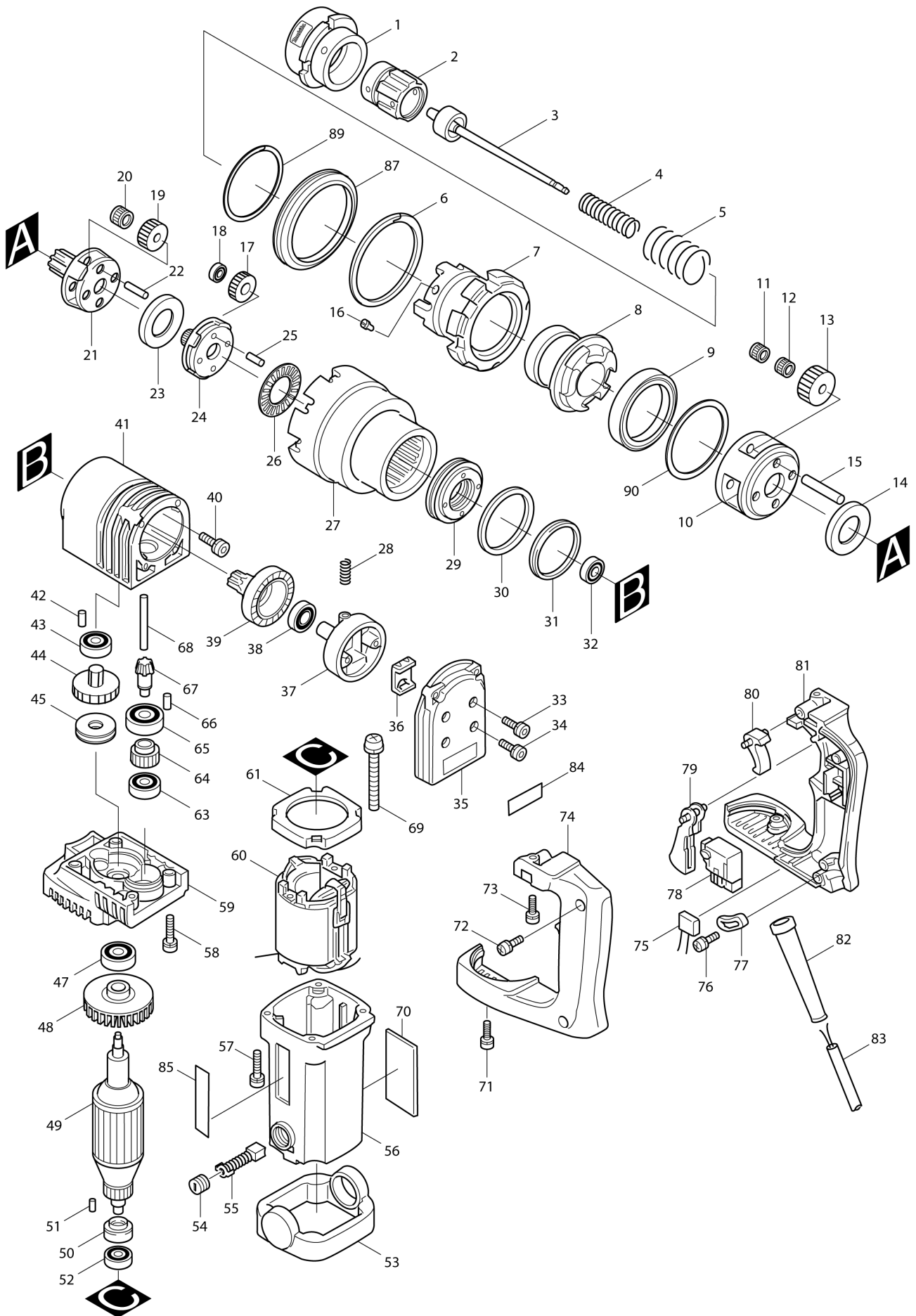
Diagram / Parts List

6922NB

SHEAR WRENCH



(TH) 6922NB / SHEAR WRENCH



TH	THAILAND
----	----------

6922NB / SHEAR WRENCH

Item	Sub	Parts No.	Parts Description	Qty	I/C	E/C No.	Close No.	Remark
001		764319-8	OUTER SLEEVE 22-39	1			68275	
001-1		764360-1	OUTER SLEEVE 22-39	1	<	68275	70452	
001-2		153909-6	OUTER SLEEVE 22-39 COMPLETE	1	O	70452		
002		764322-9	INNER SLEEVE 22-39 COMPLETE	1			68275	
002-1		764348-1	INNER SLEEVE 22-39 COMPLETE	1	<	68275	86979	
002-2		764418-6	INNER SLEEVE 22-39 COMPLETE	1	O	86979		
003		165074-9	CHIP ROD	1				
004		233087-9	COMPRESSION SPRING 13	1				
005		233086-1	COMPRESSION SPRING 25	1			85059	
005-1		234143-8	COMPRESSION SPRING 25	1	<	85059		
006		257919-6	SPIRO LOCK WASHER 72	1			70452	
006-1		257940-5	SPIRO LOCK WASHER 70	1	S	70452		
007		322671-6	OUTER SUPPORT	1			70452	
007-1		324448-5	OUTER SUPPORT	1	S	70452	83324	
007-2		325688-8	OUTER SUPPORT	1	O	83324		
008		152447-5	INNER SUPPORT COMPLETE	1			70452	
	C10	214551-9	PLANE BEARING 41.5	1			Y04229	
008-1		153872-3	INNER SUPPORT COMPLETE	1	S	70452		
009		211653-2	BALL BEARING 6811	1			70452	
009-1		211611-8	BALL BEARING 6810	1	S	70452		
010		311943-4	CARRIER	1			70452	
010-1		310147-5	CARRIER	1	S	70452		
011		212072-5	NEEDLE CAGE 1010	4			70452	
011-1		212954-1	NEEDLE CAGE 810	4	S	70452		
012		212072-5	NEEDLE CAGE 1010	4			70452	
012-1		212954-1	NEEDLE CAGE 810	4	S	70452		
013		226272-1	SPUR GEAR 20	4			70452	
013-1		227117-6	SPUR GEAR 20	4	S	70452		
014		216207-0	WASHER 2542	1				
015		256229-8	PIN 10	4			70452	
015-1		256228-0	PIN 8	4	S	70452		
016		266022-2	- SET SCREW(DOG POINT) M8X8	2				
017		226269-0	SPUR GEAR 25	4				
018		211044-7	BALL BEARING 694	4				
019		226270-5	SPUR GEAR 25	4				
020		212027-0	NEEDLE CAGE 811	4			70452	
020-1		212954-1	NEEDLE CAGE 810	4	O	70452		
021		226275-5	SPUR GEAR 11	1				
022		256227-2	PIN 8	4				
023		216207-0	WASHER 2542	1				
024		226273-9	SPUR GEAR 14	1				
025		256226-4	PIN 4	4				
026-1		216403-0	THRUST NEEDLE CAGE 1528	1				
027		226277-1	INTERNAL GEAR 53-66	1			70452	
027-1		227118-4	INTERNAL GEAR 53-66	1	S	70452		
028		233098-4	COMPRESSION SPRING 4	1				
029-1		323855-9	BRACKET	1				
030		257929-3	SPIRO LOCK WASHER 52	1				
031		257186-3	RING 44	1				
032		211221-1	BALL BEARING 6902	1				
033		911118-1	PAN HEAD SCREW M4X12	2				
034		922123-3	HEX. SOCKET HEAD BOLT M4X14	4				
035		415353-8	REAR COVER	1			DM318	
035-1		413T74-6	REAR COVER	1	S	DM318		
036		344062-1	STOPPER PLATE	1				
037		311930-3	ROD SUPPORTER	1				
038		211082-9	BALL BEARING 699	1				
039		226812-5	GEAR 14-41	1				
040		922123-3	HEX. SOCKET HEAD BOLT M4X14	4				
041-1		159930-3	GEAR CASE COMPLETE	1				
	D10		INC. 42,66					
042		263002-9	RUBBER PIN 4	1				
043-1		210013-5	BALL BEARING 698VV	1				
044-1		226475-7	HELICAL GEAR 30	1				
045-1		212048-2	THRUST NEEDLE BEARING 617	1				

A:6922NB(H)

Interchange
O : Yes
X : No
< : the new part can be substituted for the current.
> : the current part can be substituted for the new.
S : Interchangeable as a set.

TH	THAILAND
----	----------

6922NB / SHEAR WRENCH

Item	Sub	Parts No.	Parts Description	Qty	I/C	E/C No.	Close No.	Remark
047-1		211097-6	BALL BEARING 6000LLB	1				
048		241873-4	FAN 55	1				
049C1		517193-1	ARMATURE ASS'Y 220V	1				
	D10		INC. 48,50,52					
050		681614-0	INSULATION WASHER	1				
051		263014-2	RUBBER PIN 4	1				
052		211028-5	BALL BEARING 627LB	1				
053		421485-1	PROTECTOR	1				
054		643550-8	BRUSH HOLDER CAP 5-8	2				
055		A-81262	CARBON BRUSH CB-411A	1			65036	
055-1		A-88537	CARBON BRUSH CB-411A	1	<	65036	83185	
055-2		B-80167	CARBON BRUSH SET CB-411A	1	O	83185	85070	
055-3		B-80391	CARBON BRUSH SET CB-411A	1	<	85070		
056		159675-3	MOTOR HOUSING COMPLETE	1				
	C11	643932-4	BRUSH HOLDER 6X9	2				
	D10		INC. 51					
057-1		922909-5	HEX. SOCKET HEAD BOLT M4X35	4				
058		922148-7	HEX. SOCKET HEAD BOLT M4X25	4				
059-3		134788-1	GEAR HOUSING ASS'Y	1				
	C10	344470-6	BEARING RETAINER	1				
	C20	911111-5	PAN HEAD SCREW M4X10 WITH W	3				
	D10		INC. 47					
060C		593268-0	FIELD ASS'Y 220V	1				
	C10	654100-4	RING TERMINAL	2				
	C20	654501-6	CONNECTOR P-1.25	2				
061		415350-4	BAFFLE PLATE	1				
063		211033-2	BALL BEARING 608LB	1			81201	
063-1		211031-6	BALL BEARING 608LLB	1	O	81201		
064-1		226476-5	HELICAL GEAR 18	1				
065-1		211097-6	BALL BEARING 6000LLB	1				
066		263002-9	RUBBER PIN 4	1				
067-1		134790-4	GEAR ASS'Y	1				
	C10	226711-1	SPIRAL BEVEL GEAR 12	1				
	D10		INC. 63,64,65					
068		256225-6	PIN 4	1				
069		911596-5	PAN HEAD SCREW M4X70	2				
070		857485-9	NAME PLATE 6922NB	1				
071		922148-7	HEX. SOCKET HEAD BOLT M4X25	2				
072		265925-7	TAPPING SCREW BT4X20	2				
073		922148-7	HEX. SOCKET HEAD BOLT M4X25	2				
074		182634-2	HANDLE SET	1				
	D10		INC. 81					
076		265995-6	TAPPING SCREW 4X18	2				
077		687054-0	STRAIN RELIEF	1			DU465	
077-1		687063-9	CORD CLAMP	1	S	DU465		
078		651835-8	SWITCH SP215C	1				
079		414436-1	SWITCH LEVER	1				
080		311928-0	CHIP LEVER	1				
081		182634-2	HANDLE SET	1				
	D10		INC. 74					
082		682505-8	CORD GUARD 10-90	1				
083E		691216-4	POWER SUPPLY CORD 1.25-2-2.5	1			DU465	
083E1		692171-3	POWER SUPPLY CORD 1.5-2-2.5	1	S	DU465		
084		819031-6	MAKITA MARK	1			DM318	
085		819083-7	MAKITA MARK	1				
086		232146-6	LEAF SPRING	1			70452	
087		322788-5	SPACER	1			70452	
087-1		324447-7	SPACER	1	S	70452		
088		421497-4	RUBBER RING	1			70452	
089		257941-3	SPIRO LOCK WASHER 62	1		70452		
090		267282-9	FLAT WASHER 60	1		70452		
A01		764320-3	OUTER SLEEVE 20-37	1			68275	
A01-1		764361-9	OUTER SLEEVE 20-37	1	<	68275		
A02		764323-7	INNER SLEEVE 20-38 COMPLETE	1			68275	
A02-1		764349-9	INNER SLEEVE 20-38 COMPLETE	1	<	68275	86979	

A:6922NB(H)

Interchange
O : Yes
X : No
< : the new part can be substituted for the current.
> : the current part can be substituted for the new.
S : Interchangeable as a set.

