



TH	THAILAND
----	----------

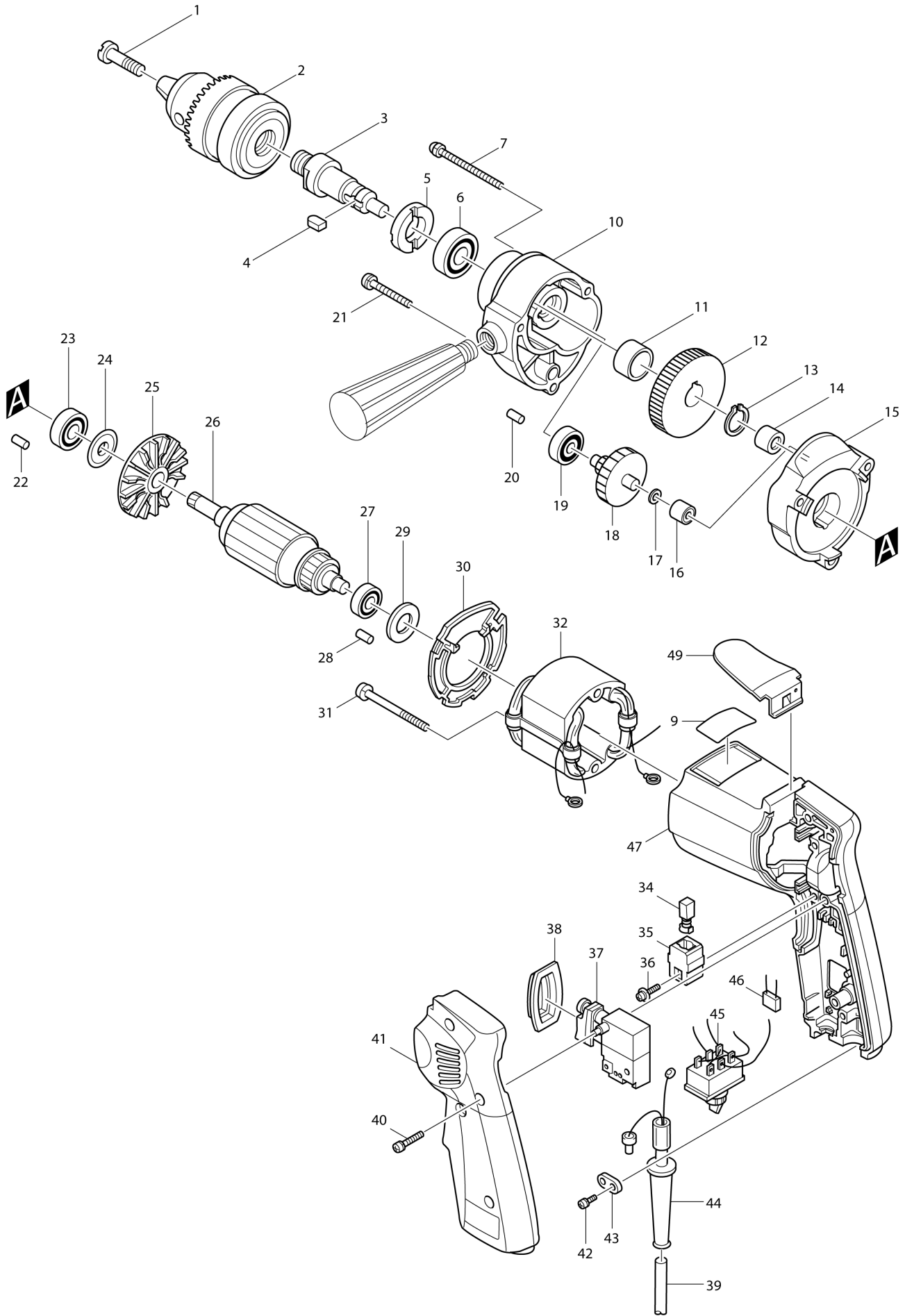
# Diagram / Parts List

**DP4700**

**DRILL 13MM**



(TH) DP4700 / DRILL 13MM



TH	THAILAND
----	----------

**DP4700 / DRILL 13MM**

Item	Sub	Parts No.	Parts Description	Qty	I/C	E/C No.	Close No.	Remark
001		251425-3	- FLAT HEAD SCREW M6X22	1				
002-1		192877-8	DRILL CHUCK S13	1				
003		321082-2	SPINDLE	1				
004		254211-1	KEY 5	1				
005		285807-7	BEARING RETAINER 22-36	1				
006		211206-7	BALL BEARING 6202LLB	1				
007		911288-6	PAN HEAD SCREW M5X65	2				
009		815208-1	NAME PLATE DP4700	1				
010		157010-9	GEAR HOUSING	1			66905	
	D10		INC. 20				66905	
010-1		153551-3	GEAR HOUSING COMPLETE	1	S	66905		
	D10		INC. 20			66905		
011		257018-4	RING 15	1				
012		221261-1	SPUR GEAR 47	1				
013		961054-1	RETAINING RING S-14	1				
014		212004-2	NEEDLE BEARING 810	1				
015		157011-7	GEAR HOUSING COVER	1			66905	
	D10		INC. 22				66905	
015-1		153552-1	GEAR HOUSING COVER	1	S	66905		
	D10		INC. 22			66905		
016		212012-3	NEEDLE BEARING 609	1				
017		253715-0	FLAT WASHER 6	1				
018		226044-4	GEAR COMPLETE 7-46	1				
019-1		211018-8	BALL BEARING 626LB	1			80770	
019-2		211016-2	BALL BEARING 626LLB	1	O	80770		
020		263002-9	RUBBER PIN 4	1				
021		911273-9	PAN HEAD SCREW M5X50	1				
022		263002-9	RUBBER PIN 4	1				
023		211033-2	BALL BEARING 608LB	1				
024		213002-9	DUST SEAL 8	1				
025		241811-6	FAN 54	1				
026C		515113-9	ARMATURE ASS'Y 220V	1				220V
	D10		INC. 23-27					
027		211028-5	BALL BEARING 627LB	1				
028		263002-9	RUBBER PIN 4	1				
029		253192-6	FLAT WASHER 14	1				
030		411528-7	BAFFLE PLATE	1				
031-1		911185-6	PAN HEAD SCREW M4X55	2				
032C		525098-1	FIELD ASS'Y 220V	1				220V
	C10	654038-3	INSULATED TERMINAL FT1.25-M4	1			Y05775	Y04979
	C11	654038-3	INSULATED TERMINAL FT1.25-M4	1	O	Y05775	Y05958	
	C12	654038-3	INSULATED TERMINAL FT1.25-M4	1	O	Y05958	Y06149	
	C13	654038-3	INSULATED TERMINAL FT1.25-M4	1	O	Y06149		
034C		191627-8	CARBON BRUSH CB-64	1			85070	
034C1		B-80254	CARBON BRUSH SET CB-64A	1	<	85070		
035		643552-4	BRUSH HOLDER 5-8	2				
036		911124-6	PAN HEAD SCREW M4X14	2				
037H		651256-4	SWITCH SGEL106CV-1A	1			74679	220V/240V
037H1		650226-0	SWITCH TG823AB-2	1	S	74679		220V/240V
038		411852-8	SWITCH COVER	1				
039R1		691015-4	POWER SUPPLY CORD 0.75-2-2.5	1			C4571	
039R2		691583-7	POWER SUPPLY CORD 0.75-2-2.5	1	S	C4571		
040		911153-9	PAN HEAD SCREW M4X28	3				
041		155283-8	HANDLE COVER COMPLETE	1			74679	
	C11	816266-0	INDICATION LABEL	1			74679	
	C20	817609-9	CAUTION LABEL	1			74679	
041-1		154951-0	HANDLE COVER COMPLETE	1	S	74679		
	C11	816266-0	INDICATION LABEL	1		74679		
	C20	817609-9	CAUTION LABEL	1		74679		
042-1		911133-5	PAN HEAD SCREW M4X18	2				
043		687001-1	STRAIN RELIEF	1			C4571	
043-1		687000-3	STRAIN RELIEF	1	S	C4571		
044		682504-0	CORD GUARD 10-85	1				
045E		651478-6	SWITCH VTX11	1				
047-1		156879-8	MOTOR HOUSING	1			74679	

A:DP4700(H)

Interchange

O : Yes

X : No

&lt; : the new part can be substituted for the current.

&gt; : the current part can be substituted for the new.

S : Interchangeable as a set.

