



TH	THAILAND
----	----------

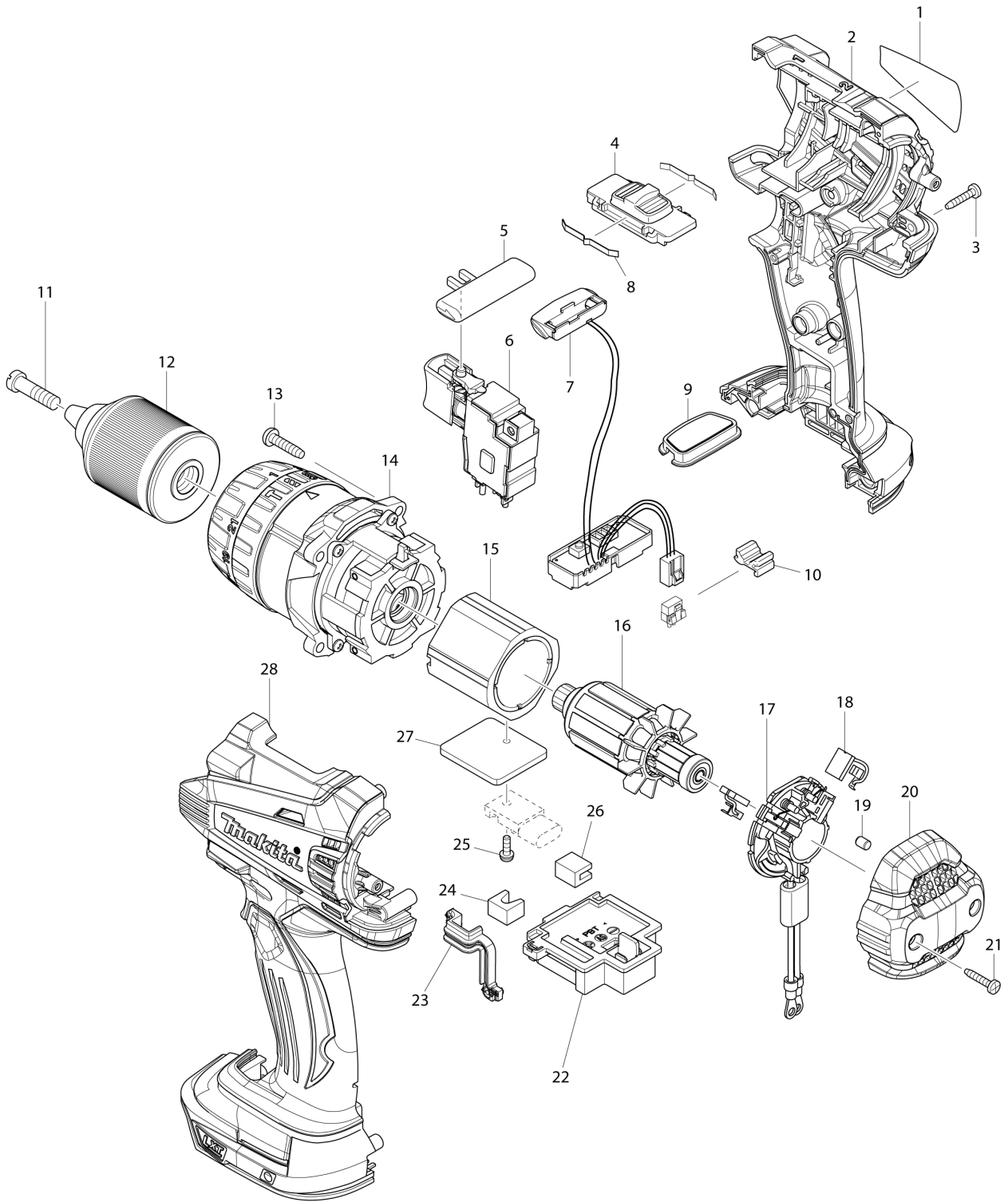
# Diagram / Parts List

**DHP458**

**CORDLESS HAMMER DRIVER DRILL**



(TH) DHP458 / CORDLESS HAMMER DRIVER DRILL



<b>TH</b>	<b>THAILAND</b>
-----------	-----------------

## DHP458 / CORDLESS HAMMER DRIVER DRILL

Item	Sub	Parts No.	Parts Description	Qty	I/C	E/C No.	Close No.	Remark
001		814Y76-9	DHP458 NAME PLATE	1				
002		187430-3	HOUSING SET	1				
	C10	263005-3	RUBBER PIN 6	2				
	C20	252126-6	HEX. LOCK NUT M4-7	2				
	D10		INC. 28					
003		266130-9	TAPPING SCREW BIND PT 3X16	7				
004		126100-9	SPEED CHANGE LEVER ASSEMBLY	1				
	C10	233438-6	COMPRESSION SPRING 4	2				
005		419250-0	F/R CHANGE LEVER	1				
006		650724-4	SWITCH TG573FSB-3	1			DM346	
006-1		650724-4	SWITCH TG573FSB-3	1	O	DM346		
007		620138-1	LIGHT CIRCUIT	1				
008		232220-0	LEAF SPRING	2				
009		140963-9	SWITCH PLATE COMPLETE	1				
010		424476-1	CUSHION	1				
011		251468-5	- FLAT HEAD SCREW M6X22	1				
012		766015-4	KEYLESS DRILL CHUCK 13	1			B9672	
012-1		763248-2	KEYLESS DRILL CHUCK 13	1	<	B9672	DA353	
012-2		763252-1	KEYLESS DRILL CHUCK 13	1	O	DA353		
013		265995-6	TAPPING SCREW 4X18	4			B9466	
013-1		266326-2	TAPPING SCREW 4X18	4	O	B9466		
014C		126099-8	GEAR ASSEMBLY	1			A1830	
014D		126099-8	GEAR ASSEMBLY	1			A1830	
014-1C		126448-9	GEAR ASSEMBLY	1	<	A1830		
014-1D		126448-9	GEAR ASSEMBLY	1	<	A1830		
014-1E		126448-9	GEAR ASSEMBLY	1				
015		638989-8	YOKE UNIT	1				
016		619301-1	ARMATURE	1			B9649	
016-1		619496-0	ARMATURE	1	<	B9649		
017		638614-1	BRUSH HOLDER COMPLETE	1			B9649	
017-1		632K62-2	BRUSH HOLDER COMPLETE	1	<	B9649		
018		195021-6	CARBON BRUSH SET CB-440	1				
019		263032-0	RUBBER PIN 4	2				
020		453394-6	REAR COVER	1				
021		266130-9	TAPPING SCREW BIND PT 3X16	2				
022		644808-8	TERMINAL	1				
023		424430-5	SEAL	1				
024		423422-1	SPONGE A	1				
025		911013-5	PAN HEAD SCREW M3X10	1				
026		423423-9	SPONGE B	1				
027		689176-2	HEAT SINK	1				
028		187430-3	HOUSING SET	1				
	C10	263005-3	RUBBER PIN 6	2				
	C20	252126-6	HEX. LOCK NUT M4-7	2				
	D10		INC. 2					
A01		126131-8	GRIP ASSEMBLY	1			A3342	
	C10	154935-8	GRIP 36 COMPLETE	1			A3342	
	C20	266750-9	SQUARE BOLT M8X100	1			A3342	
	C30	346566-9	GRIP SPRING 60	1			A3342	
	C40	453584-1	GRIP BASE 60	1			A3342	
	C50	265785-7	THUMB SCREW M5X10	1			A3342	
	C60	931202-6	HEX. NUT M5	1			A3342	
A01-1		123257-7	GRIP ASSEMBLY	1	<	A3342		
	C10	154935-8	GRIP 36 COMPLETE	1		A3342		
	C20	266899-5	SQUARE BOLT M8X140	1		A3342		
	C30	346566-9	GRIP SPRING 60	1		A3342		
	C40	455189-3	GRIP BASE 60	1		A3342		
	C50	265785-7	THUMB SCREW M5X10	1		A3342		
	C60	931202-6	HEX. NUT M5	1		A3342		
A02		251314-2	+ SCREW M4X12	2				
A03		346317-0	HOOK	1				
A04		452947-8	BIT HOLDER	1				
A05		784637-8	+ - BIT 2-45	2				
A06		122576-8	STOPPER POLE ASS'Y	1				
A07C		***DC18RC	DC18RC FAST CHARGER	1				

C:DHP458RFE(H)  
D:DHP458Z(N)  
E:DHP458RFE3(H)

Interchange  
O : Yes  
X : No  
< : the new part can be substituted for the current.  
> : the current part can be substituted for the new.  
S : Interchangeable as a set.

