



TH	THAILAND
----	----------

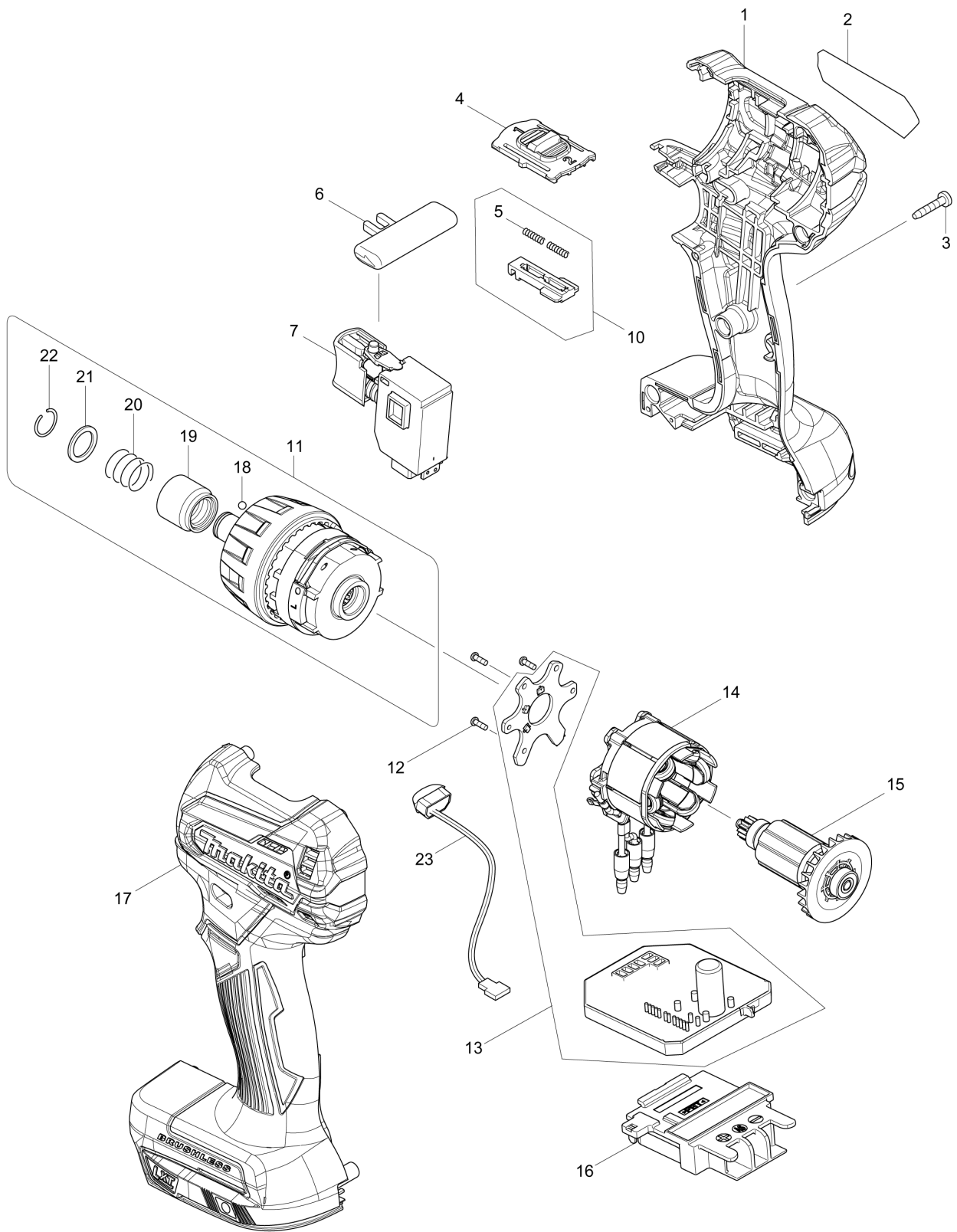
# Diagram / Parts List

**DDF083**

**CORDLESS DRIVER DRILL**



(TH) DDF083 / CORDLESS DRIVER DRILL



<b>TH</b>	<b>THAILAND</b>
-----------	-----------------

**DDF083 / CORDLESS DRIVER DRILL**

Item	Sub	Parts No.	Parts Description	Qty	I/C	E/C No.	Close No.	Remark
001		183E19-5	HOUSING SET	1				
	C10	263005-3	RUBBER PIN 6	2				
	C20	252126-6	HEX. LOCK NUT M4-7	2				
	D10		INC. 17					
002		852M58-1	DDF083 NAME PLATE	1				
003		266429-2	TAPPING SCREW 3X16	8				
004		457020-9	SPEED CHANGE LEVER	1			B9732	
004-1		458382-8	SPEED CHANGE LEVER	1	<	B9732		
005		233025-1	COMPRESSION SPRING 2	2				
006		419041-9	F/R CHANGE LEVER	1				
007		650689-0	SWITCH C3JW-2B	1				
010		123587-6	CHANGE LEVER ASS'Y	1				
	D10		INC. 5					
011		123869-6	GEAR ASSEMBLY N	1			D0925	
	D10		INC. 18-22				D0925	
011-1		123869-6	GEAR ASSEMBLY N	1	O	D0925	D7899	
	D10		INC. 18-22			D0925	D7899	
011-2		123869-6	GEAR ASSEMBLY N	1	O	D7899		
	D10		INC. 18-22			D7899		
012		266490-9	TAPPING SCREW PT 2X6	3				
013		620555-5	CONTROLLER	1				
014		629228-7	STATOR	1				
015		619410-6	ROTOR	1			D0256	
015-1		619410-6	ROTOR	1	O	D0256		
016		643874-2	TERMINAL	1				
017		183E19-5	HOUSING SET	1				
	C10	263005-3	RUBBER PIN 6	2				
	C20	252126-6	HEX. LOCK NUT M4-7	2				
	D10		INC. 1					
018		216019-1	STEEL BALL 3	2				
019		326677-6	BIT SLEEVE	1				
020		233005-7	COMPRESSION SPRING 13	1				
021		347004-4	BIT WASHER	1				
022		231965-7	RING SPRING 10	1				
023		620549-0	LED CIRCUIT	1				
A01		251314-2	+ SCREW M4X12	1				
A02		346317-0	HOOK	1				
A03		784202-3	PHILLIPS BIT 2-45	1			DC711	
A03-1		784043-7	+BIT 2-45	1	O	DC711		
A04B		141856-3	PLASTIC CARRYING CASE COMPLETE	1				
	C10	162302-3	LATCH	2				
A04C		141856-3	PLASTIC CARRYING CASE COMPLETE	1				
	C10	162302-3	LATCH	2				
A05B		450128-8	BATTERY COVER	1				
A05C		450128-8	BATTERY COVER	1				
A06B		***DC18RC	DC18RC FAST CHARGER	1				
	D10		COMPO-PARTS					
A06C		***DC18RC	DC18RC FAST CHARGER	1				
	D10		COMPO-PARTS					
A07B		197600-6	BATTERY BL1830B SET	2			C2803	
A07C		197280-8	BATTERY BL1850B SET	2			C2803	
A07-1B		199283-8	BATTERY BL1830B SET	2	<	C2803	D0159	
A07-1C		199282-0	BATTERY BL1850B SET	2	<	C2803	D0161	
A07-2B		199283-8	BATTERY BL1830B SET	2	<	D0159		
A07-2C		199282-0	BATTERY BL1850B SET	2	<	D0161		

A:DDF083Z(N)  
 B:DDF083RFE(H)  
 C:DDF083RTE(H)

Interchange  
 O : Yes  
 X : No  
 < : the new part can be substituted for the current.  
 > : the current part can be substituted for the new.  
 S : Interchangeable as a set.