



| | |
|----|----------|
| TH | THAILAND |
|----|----------|

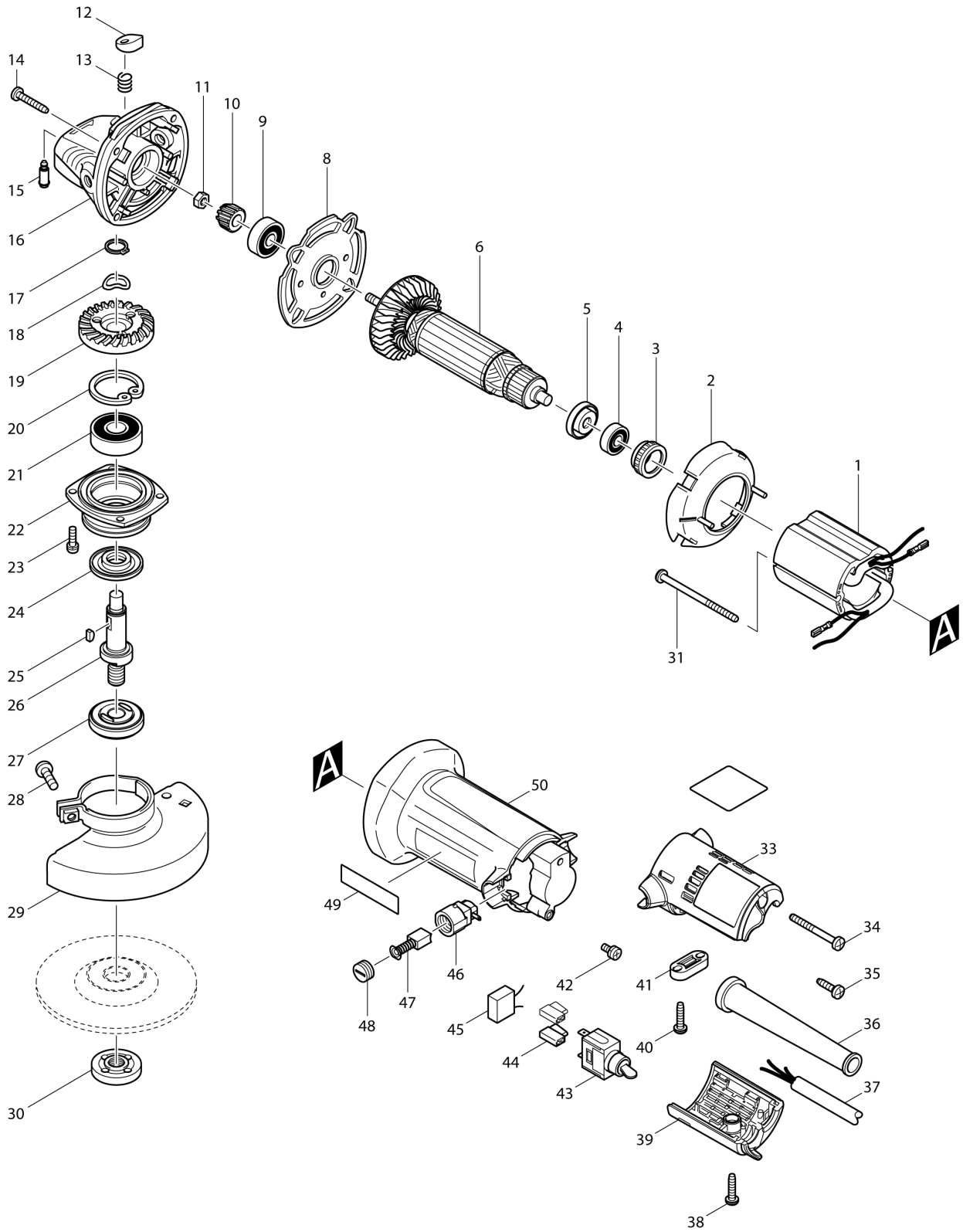
Diagram / Parts List

9533

100MM ANGLE GRINDER



(TH) 9533 / 100MM ANGLE GRINDER



| | |
|-----------|-----------------|
| TH | THAILAND |
|-----------|-----------------|

9533 / 100MM ANGLE GRINDER

| Item | Sub | Parts No. | Parts Description | Qty | I/C | E/C No. | Close No. | Remark |
|-------|-----|-----------|------------------------------|-----|-----|---------|-----------|--------|
| 001 | | 623513-0 | FIELD 220-240V | 1 | | | | |
| 002 | | 418584-8 | BAFFLE PLATE | 1 | | | | |
| 003 | | 421494-0 | RUBBER RING 19 | 1 | | | | |
| 004 | | 210017-7 | BALL BEARING 607DDW | 1 | | | | |
| 005 | | 681636-0 | INSULATION WASHER | 1 | | | | |
| 006 | | 517588-8 | ARMATURE ASS'Y 220V | 1 | | | | |
| | D10 | | INC. 3-5,7 | | | | | |
| 007 | | 240071-7 | FAN 54 | 1 | | | | |
| 008 | | 285712-8 | BEARING RETAINER 40 | 1 | | | | |
| 009 | | 210032-1 | BALL BEARING 628DDW | 1 | | | | |
| 010 | | 227461-1 | SPIRAL BEVEL GEAR 11 | 1 | | | | |
| 011 | | 252137-1 | HEX. NUT M5-8 | 1 | | | | |
| 012 | | 415491-6 | PIN CAP | 1 | | | | |
| 013 | | 233072-2 | COMPRESSION SPRING 8 | 1 | | | | |
| 014 | | 266040-0 | TAPPING SCREW CT 4X25 | 4 | | | | |
| 015 | | 256437-1 | PIN 4 | 1 | | | | |
| 016 | | 153846-4 | GEAR HOUSING COMPLETE | 1 | | | | |
| 017 | | 961052-5 | RETAINING RING (EXT) S-12 | 1 | | | | |
| 018 | | 253904-7 | WAVE WASHER 12 | 1 | | | | |
| 019 | | 227467-9 | SPIRAL BEVEL GEAR 36 | 1 | | | | |
| 020 | | 962151-6 | RETAINING RING R-32 | 1 | | | | |
| 021 | | 211149-3 | BALL BEARING 6201DDW | 1 | | | | |
| 022 | | 316600-9 | BEARING BOX | 1 | | | | |
| 023 | | 911121-2 | PAN HEAD SCREW M4X14 | 4 | | | 75256 | |
| 023-1 | | 265168-1 | PAN HEAD SCREW M4X14 | 4 | < | 75256 | | |
| 024 | | 415492-4 | LABYRINTH RING | 1 | | | | |
| 025 | | 254011-9 | WOODRUFF KEY 4 | 1 | | | D4888 | |
| 025-1 | | 254043-6 | KEY 4 | 1 | S | D4888 | | |
| 026 | | 324451-6 | SPINDLE | 1 | | | D4888 | |
| 026-1 | | 327747-4 | SPINDLE | 1 | S | D4888 | | |
| 027 | | 224314-5 | INNER FLANGE 30 | 1 | | | | |
| 028 | | 251391-4 | PAN HEAD SCREW M5X16 | 1 | | | | |
| 029 | | 165187-6 | WHEEL COVER | 1 | | | | |
| 030 | | 224559-5 | LOCK NUT 10-30 | 1 | | | | |
| 031 | | 266187-0 | TAPPING SCREW BIND CT 4X65 | 2 | | | | |
| 032 | | 861380-7 | NAME PLATE 9533 | 1 | | | | |
| 033 | | 183780-4 | UPPER LOWER REAR COVER SET | 1 | | | | |
| | D10 | | INC. 39 | | | | | |
| 034 | | 266203-8 | TAPPING SCREW BIND CT 4X40 | 1 | | | | |
| 035 | | 266034-5 | TAPPING SCREW CT 4X16 | 1 | | | | |
| 036 | | 682566-8 | CORD GUARD 10 | 1 | | | | |
| 037 | | 691134-6 | POWER SUPPLY CORD 0.75-3-2.5 | 1 | | | | |
| 038 | | 265995-6 | TAPPING SCREW 4X18 | 1 | | | | |
| 039 | | 183780-4 | UPPER LOWER REAR COVER SET | 1 | | | | |
| | D10 | | INC. 33 | | | | | |
| 040 | | 265995-6 | TAPPING SCREW 4X18 | 2 | | | | |
| 041 | | 687053-2 | STRAIN RELIEF | 1 | | | | |
| 042 | | 652014-1 | PAN HEAD SCREW M4X8 | 1 | | | | |
| 043 | | 651426-5 | SWITCH STL115ADF-AD | 1 | | | C2203 | |
| 043-1 | | 651068-5 | SWITCH ST115A-TB-F1 | 1 | O | C2203 | | |
| 044 | | 686039-3 | RECEPTACLE SLEEVE | 2 | | | | |
| 046 | | 643922-7 | BRUSH HOLDER | 2 | | | | |
| 047 | | A-88537 | CARBON BRUSH CB-411A | 1 | | | 83185 | |
| 047-1 | | B-80167 | CARBON BRUSH SET CB-411A | 1 | O | 83185 | 85070 | |
| 047-2 | | B-80391 | CARBON BRUSH SET CB-411A | 1 | < | 85070 | | |
| 048 | | 643985-3 | BRUSH HOLDER CAP | 2 | | | | |
| 049 | | 819063-3 | MAKITA LABEL | 1 | | | | |
| 050 | | 183787-0 | MOTOR HOUSING SET | 1 | | | 98442 | |
| | D10 | | INC. 49 | | | | 98442 | |
| 050-1 | | 187624-0 | MOTOR HOUSING SET | 1 | < | 98442 | | |
| | D10 | | INC. 49 | | | 98442 | | |
| A01 | | A-80852 | GRINDING WHEEL 100X6X16 | 1 | | 83787 | | |
| A02 | | 782401-1 | LOCK NUT WRENCH 20 | 1 | | | | |
| A03 | | A-88537 | CARBON BRUSH CB-411A | 2 | | | 83185 | |
| A03-1 | | B-80167 | CARBON BRUSH SET CB-411A | 2 | O | 83185 | 85070 | |

A:9533(H)

Interchange
O : Yes
X : No
< : the new part can be substituted for the current.
> : the current part can be substituted for the new.
S : Interchangeable as a set.

