



TH	THAILAND
----	----------

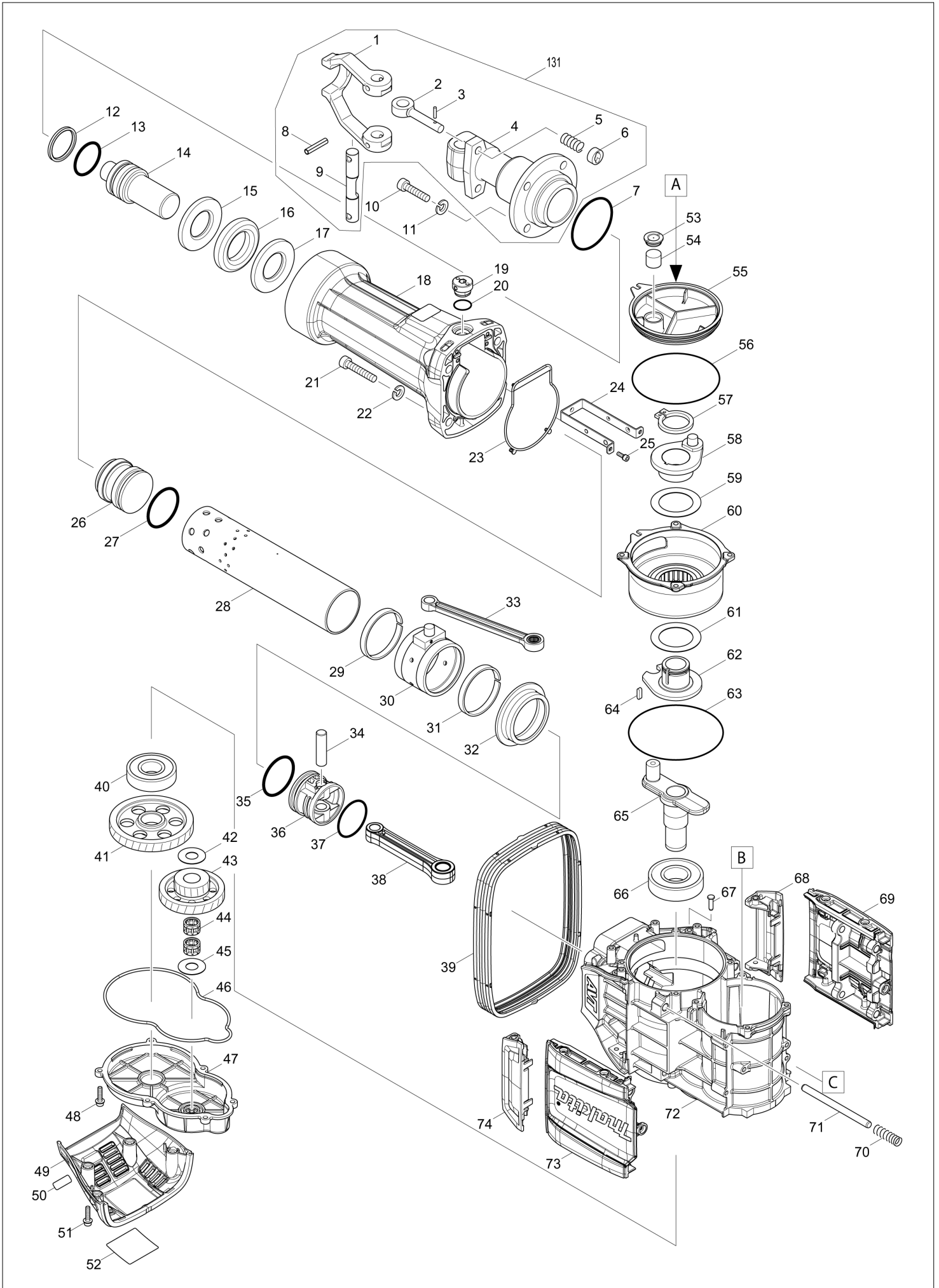
# Diagram / Parts List

**HM1812**

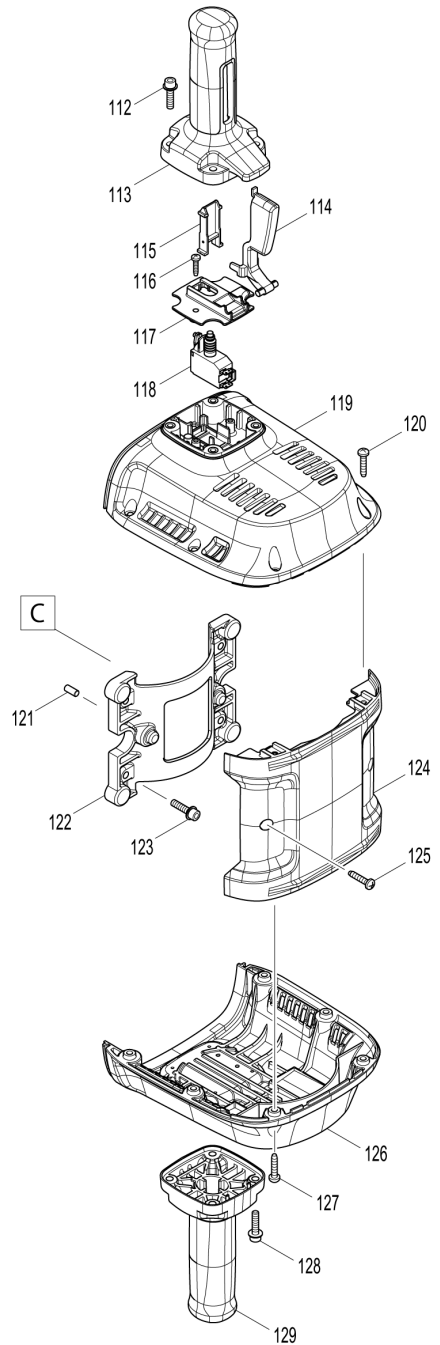
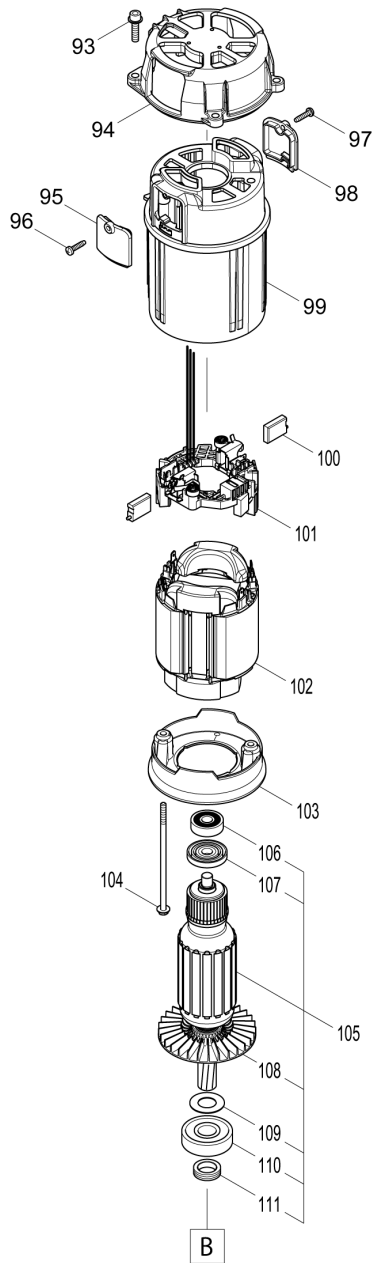
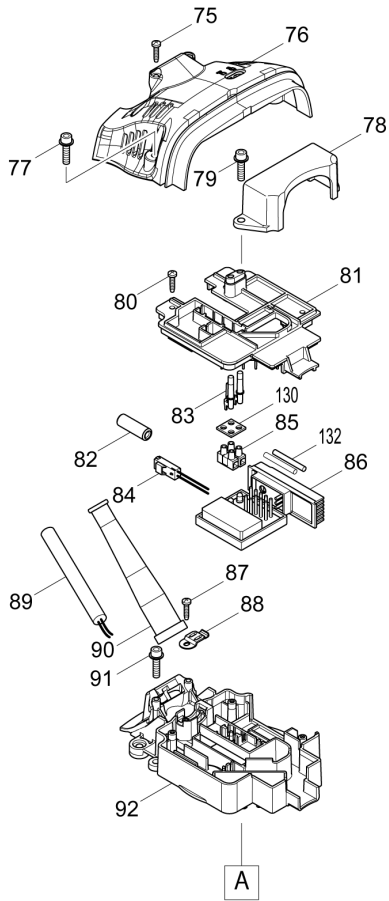
**ELECTRIC BREAKER**



(TH) HM1812 / ELECTRIC BREAKER



# (TH) HM1812 / ELECTRIC BREAKER



TH	THAILAND
----	----------

### HM1812 / ELECTRIC BREAKER

Item	Sub	Parts No.	Parts Description	Qty	I/C	E/C No.	Close No.	Remark
001		324236-0	TOOL RETAINER	1				
002		322477-2	TOOL RETAINER POLE	2				
003		256219-1	PIN 4	2				
004		310616-6	TOOL HOLDER 29	1				
005		233083-7	COMPRESSION SPRING 12	2				
006		322560-5	RETAINER RING	2				
007		213757-6	O RING 80	1				
008		951272-9	SPRING PIN 8-40	2				
009		324238-6	TOOL RETAINER SHAFT	1				
010		265989-1	HEX. SOCKET BOLT M12X45	4				
011		942301-9	SPRING WASHER 12	4				
012		213797-4	X-RING 47	1				
013		213798-2	O-RING 47	1				
014		326469-3	IMPACT BOLT	1				
015		332127-1	WASHER 42	1				
016		262174-7	RUBBER RING 47	1				
017		332127-1	WASHER 42	1				
018		319218-5	BARREL	1				
019		450347-6	CAP	1				
020		213953-6	O RING 24	1				
021		922677-0	HEX. SOCKET BOLT M12X55	4				
022		942301-9	SPRING WASHER 12	4				
023		424666-6	SEAL RING A	1				
024		346840-5	PLATE	1				
025		266086-6	HEX. SOCKET HEAD BOLT M5X16	2			B1409	
025-1		266071-9	HEX. SOCKET HEAD BOLT M5X16	2	O	B1409		
026		326470-8	STRIKER	1				
027		213799-0	O-RING 56	1				
028		332130-2	CYLINDER LINER 66	1				
029		455492-2	SPACER 72	1				
030		123361-2	BALANCER ASSEMBLY	1				
	D10		INC. 29,31					
031		455492-2	SPACER 72	1				
032		332131-0	SPACER	1				
033		142922-9	CONNECTING ROD COMPLETE	1				
034		268328-4	PIN 15 C	1				
035		213799-0	O-RING 56	1				
036		455509-1	PISTON	1				
037		213662-7	O RING 55	1				
038		455490-6	CONNECTING ROD	1				
039		424669-0	BELLOWS	1				
040		211151-6	BALL BEARING 6306LLB	1				
041		227797-8	HELICAL GEAR 57	1				
042		267290-0	FLAT WASHER 18	1				
043		226834-5	GEAR COMPLETE 23-59	1				
044		212099-5	NEEDLE CAGE 1816	2				
045		267290-0	FLAT WASHER 18	1				
046		424667-4	SEAL RING B	1				
047		455491-4	GEAR COVER	1				
048		266923-4	H.S.HEAD BOLT M6X25 WITH GM	6				
049		455500-9	SIDE COVER B	1				
050		850X57-3	HM1812 SERIAL NO. LABEL	1				
051		266923-4	H.S.HEAD BOLT M6X25 WITH GM	4				
052		850T96-9	HM1812 NAME PLATE	1				
053		424668-2	FILTER CAP	1				
054		443127-7	FILTER	1				
055		455493-0	STOPPER	1				
056		213810-8	O-RING 124	1				
057		961156-3	RETAINING RING S-40	1				
058		142921-1	CRANK COMPLETE	1				
059		267486-3	FLAT WASHER 50	1				
060		142952-0	CRANK BOX COMPLETE	1				
061		267486-3	FLAT WASHER 50	1				
062		310619-0	COUNTER SHAFT	1				
063		213902-3	O RING 135	1				

A:HM1812(H)

Interchange  
O : Yes  
X : No  
< : the new part can be substituted for the current.  
> : the current part can be substituted for the new.  
S : Interchangeable as a set.

TH	THAILAND
----	----------

### HM1812 / ELECTRIC BREAKER

Item	Sub	Parts No.	Parts Description	Qty	I/C	E/C No.	Close No.	Remark
064		254220-0	KEY 5	1				
065		310618-2	CRANK SHAFT	1				
066		211500-7	BALL BEARING 6307LLU	1				
067		256559-7	FLAT FILLISTER HD PIN 6	4				
068		455506-7	HANDLE C	1				
069		455503-3	CENTER COVER	1				
070		234349-8	COMPRESSION SPRING 12A	4				
071		326471-6	ROD 10	4				
072		142919-8	CRANK HOUSING COMPLETE	1				
073		455503-3	CENTER COVER	1				
074		455506-7	HANDLE C	1				
075		265995-6	TAPPING SCREW 4X18	2				
076		455499-8	SIDE COVER A	1				
077		266923-4	H.S.HEAD BOLT M6X25 WITH GM	4				
078		455510-6	BRACKET	1				
079		266923-4	H.S.HEAD BOLT M6X25 WITH GM	2				
080		265995-6	TAPPING SCREW 4X18	3				
081		455495-6	CAP COVER	1				
083		455514-8	LENS	1				
084		632E02-4	LEAD UNIT	1				
085		654531-7	TERMINAL BLOCK 2P	1				
086		620417-7	CONTROLLER	1				
087		265995-6	TAPPING SCREW 4X18	1				
088		687169-3	STRAIN RELIEF	1				
089		691025-1	POWER SUPPLY CORD 0.75-2-5.0	1				
090		682560-0	CORD GUARD 10	1				
091		266923-4	H.S.HEAD BOLT M6X25 WITH GM	2				
092		455494-8	CRANK HOUSING CAP	1				
093		266923-4	H.S.HEAD BOLT M6X25 WITH GM	4				
094		319220-8	BEARING BOX	1				
095		455498-0	BRUSH HOLDER COVER	1				
096		265995-6	TAPPING SCREW 4X18	1				
097		265995-6	TAPPING SCREW 4X18	1				
098		455498-0	BRUSH HOLDER COVER	1				
099		455496-4	MOTOR HOUSING	1				
100		197128-4	CARBON BRUSH CB-218	1			DV178	
100-1		197129-2	CARBON BRUSH CB-218	1	O	DV178		
101		632E01-6	BRUSH HOLDER UNIT	1			C3891	
101-1		632L58-9	BRUSH HOLDER UNIT	1	<	C3891		
102		636408-8	FIELD 220V	1				
103		455497-2	BAFFLE PLATE	1				
104		266922-6	+ HEX. BOLT M5X120 WITH GM	2				
105		517913-3	ARMATURE ASS'Y 220V	1				
	D10		INC. 106-111					
106		211087-9	BALL BEARING 6200DDW	1				
107		681630-2	INSULATION WASHER	1				
108		240156-9	FAN 90	1				
109		267487-1	FLAT WASHER 17	1				
110		211152-4	BALL BEARING 6303LLU	1				
111		332129-7	SEALING SCREW	1				
112		266923-4	H.S.HEAD BOLT M6X25 WITH GM	4				
113		455504-1	HANDLE A	1				
114		455508-3	SWITCH LEVER	1				
115		455511-4	SWITCH GUIDE	1				
116		265995-6	TAPPING SCREW 4X18	1				
117		455507-5	SWITCH COVER	1				
118		650738-3	SWITCH C3JW-C-P	1				
119		455502-5	HANDLE BASE A	1				
120		266041-8	TAPPING SCREW 5X25	6				
121		256269-6	PIN 6	2				
122		319222-4	BASE	1				
123		266923-4	H.S.HEAD BOLT M6X25 WITH GM	4				
124		455501-7	HEAD COVER	1				
125		266041-8	TAPPING SCREW 5X25	2				
126		455512-2	HANDLE BASE B	1				

A:HM1812(H)

Interchange  
O : Yes  
X : No  
< : the new part can be substituted for the current.  
> : the current part can be substituted for the new.  
S : Interchangeable as a set.

