



TH	THAILAND
----	----------

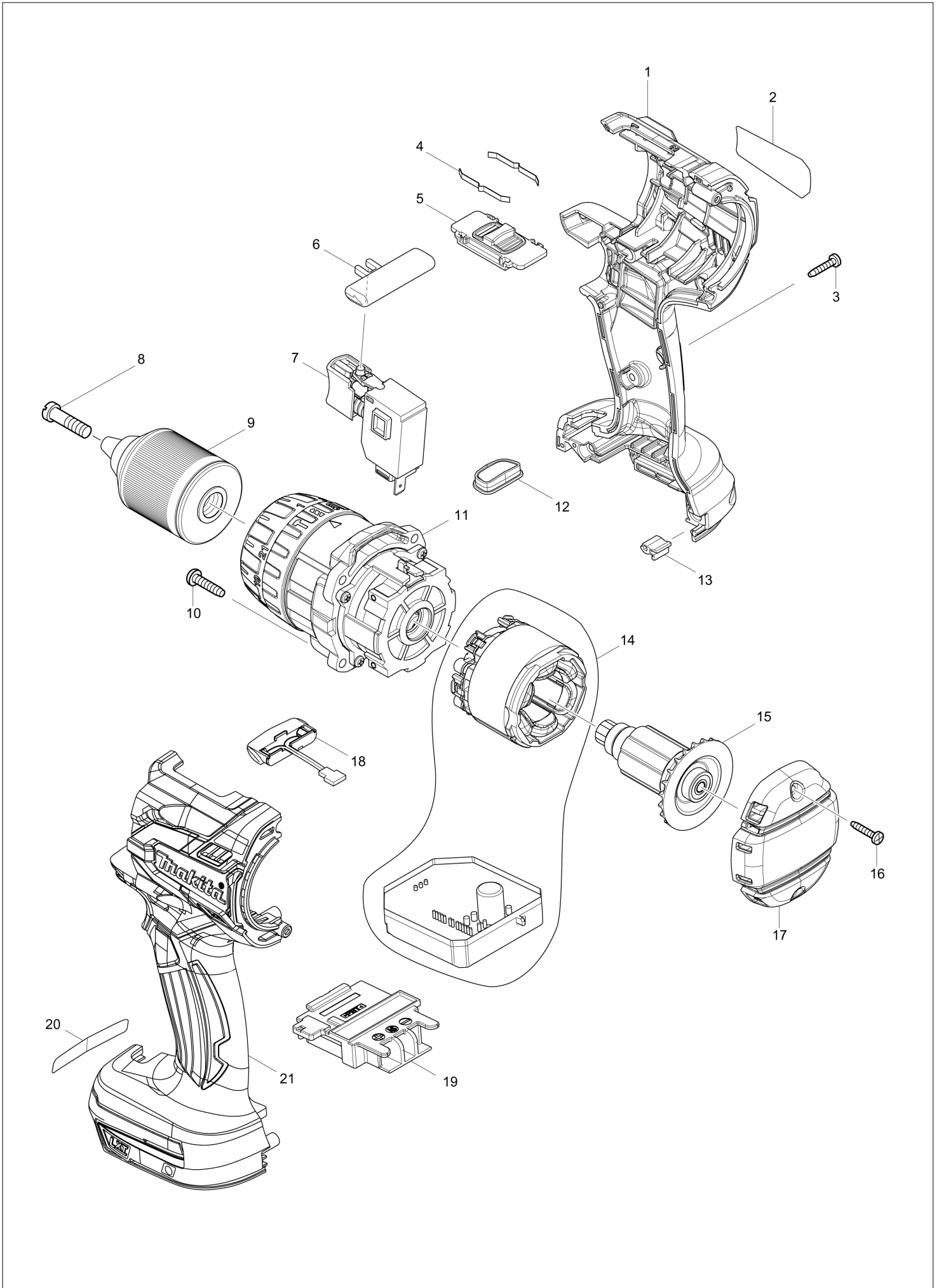
Diagram / Parts List

DHP481

CORDLESS HAMMER DRIVER DRILL



(TH) DHP481 / CORDLESS HAMMER DRIVER DRILL



TH	THAILAND
-----------	-----------------

DHP481 / CORDLESS HAMMER DRIVER DRILL

Item	Sub	Parts No.	Parts Description	Qty	I/C	E/C No.	Close No.	Remark
001		187921-4	HOUSING SET	1				
	C10	263005-3	RUBBER PIN 6	2				
	D10		INC. 21					
002		815S71-6	DHP481 NAME PLATE	1			D3205	
002-1		857L10-8	DHP481 NAME PLATE	1	S	D3205		
003		266130-9	TAPPING SCREW BIND PT 3X16	7				
004		232220-0	LEAF SPRING	2				
005		126411-2	SPEED CHANGE LEVER ASSEMBLY	1				
	C10	233438-6	COMPRESSION SPRING 4	2				
006		419250-0	F/R CHANGE LEVER	1				
007		650710-5	SWITCH C3JW-4B	1			D9871	
007-1		650006-4	SWITCH TGRK2-1	1	O	D9871		
008		251468-5	- FLAT HEAD SCREW M6X22	1				
009A		766015-4	KEYLESS DRILL CHUCK 13	1			B9672	
009-1A		763248-2	KEYLESS DRILL CHUCK 13	1	<	B9672	DA353	
009-1B		763248-2	KEYLESS DRILL CHUCK 13	1			DA353	
009-2		763252-1	KEYLESS DRILL CHUCK 13	1	O	DA353		
010		265995-6	TAPPING SCREW 4X18	4			B9466	
010-1		266326-2	TAPPING SCREW 4X18	4	O	B9466		
011		126410-4	GEAR ASSEMBLY	1				
012		142263-3	INDICATOR PANEL COMPLETE	1				
013		424517-3	CUSHION	1				
014		629116-8	STATOR COMPLETE	1				
015A		619336-2	ROTOR	1			B3227	
015-1A		619397-2	ROTOR	1	O	B3227		
015-1B		619397-2	ROTOR	1				
016		266130-9	TAPPING SCREW BIND PT 3X16	2				
017		455011-4	REAR COVER	1				
018		620283-2	LED CIRCUIT	1				
019		643899-6	TERMINAL	1				
021		187921-4	HOUSING SET	1				
	C10	263005-3	RUBBER PIN 6	2				
	D10		INC. 1					
022		857L11-6	DHP481 SERIAL NO. LABEL	1	S	D3205		
A01		122576-8	STOPPER POLE ASS'Y	1				
A02		126413-8	GRIP ASSEMBLY	1			DE160	
	C10	142652-2	POLE COMPLETE	1			D1763	
	C11	140R59-4	POLE COMPLETE	1	<	D1763	DE160	
	C20	142653-0	ARM R COMPLETE	1			DE160	
	C30	265785-7	THUMB SCREW M5X10	1			DE160	
	C40	266886-4	HEX. BOLT M8X65	1			DE160	
	C50	319129-4	ARM L	1			DE160	
	C60	931202-6	HEX. NUT M5	1			DE160	
	C70	962055-2	RETAINING RING (INT) R-15	1			DE160	
A02-1		122D11-0	GRIP ASSEMBLY	1	O	DE160		
	C11	140R59-4	POLE COMPLETE	1		DE160		
	C20	142653-0	ARM R COMPLETE	1		DE160		
	C30	265C34-0	THUMB SCREW M5X10	1		DE160		
	C40	266886-4	HEX. BOLT M8X65	1		DE160		
	C50	319129-4	ARM L	1		DE160		
	C60	931202-6	HEX. NUT M5	1		DE160		
	C70	962055-2	RETAINING RING (INT) R-15	1		DE160		
A03		251314-2	+ SCREW M4X12	2				
A04		346317-0	HOOK	1				
A05		452947-8	BIT HOLDER	1				
A06		784637-8	+/- BIT 2-45	2				
A07B		821524-1	PLASTIC CARRYING CASE	1				
	C10	162302-3	LATCH	2				
	C20	325809-2	SHAFT	1				
	C30	451749-9	HANDLE	1				
	C40	453473-0	PLASTIC CASE LID	1				
A08B		***DC18RC	DC18RC FAST CHARGER	1				
A09-2B		197600-6	BATTERY BL1830B SET	2			C2803	
A09-3B		199283-8	BATTERY BL1830B SET	2	<	C2803	D0159	
A09-4B		199283-8	BATTERY BL1830B SET	2	<	D0159		

A:DHP481Z(N)
B:DHP481RFE(H)

Interchange
O : Yes
X : No
< : the new part can be substituted for the current.
> : the current part can be substituted for the new.
S : Interchangeable as a set.

