



TH	THAILAND
----	----------

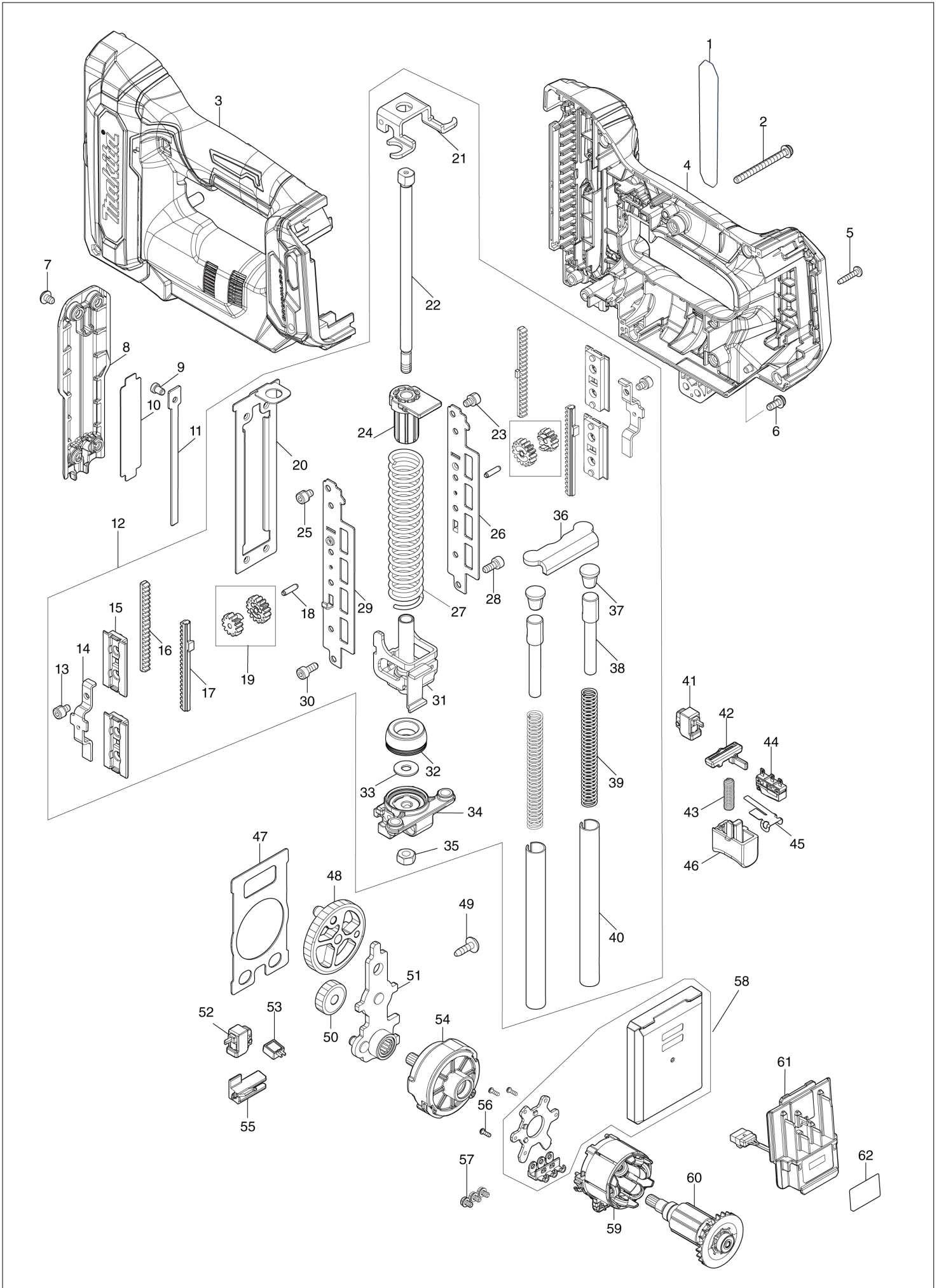
Diagram / Parts List

ST001G

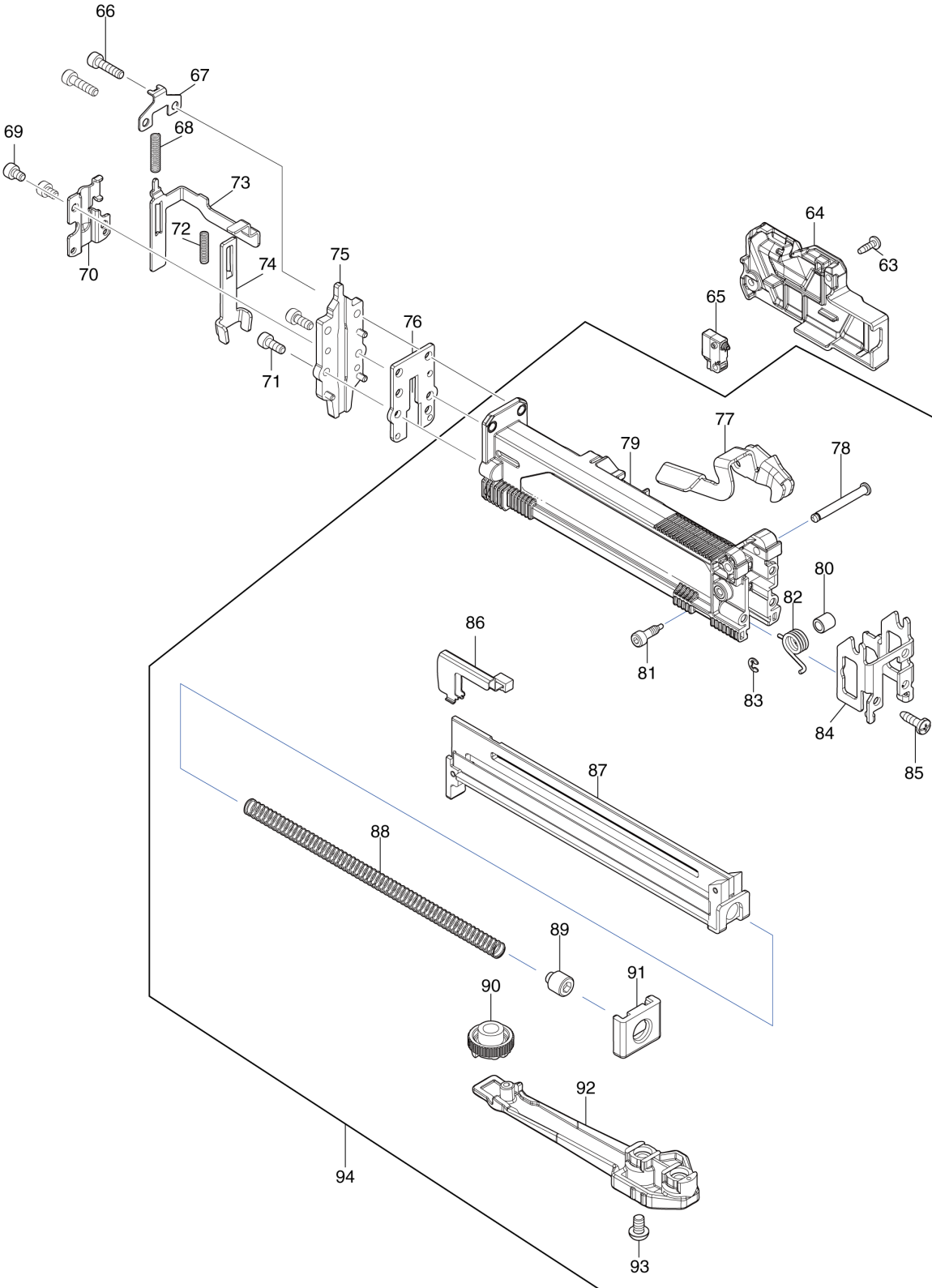
CORDLESS STAPLER



(TH) ST001G / CORDLESS STAPLER



(TH) ST001G / CORDLESS STAPLER



TH	THAILAND
----	----------

ST001G / CORDLESS STAPLER

Item	Sub	Parts No.	Parts Description	Qty	I/C	E/C No.	Close No.	Remark
001		8584A5-3	ST001G NAME PLATE	1				
002		911173-3	PAN HEAD SCREW M4X45	1				
003		183X27-0	HOUSING SET	1				
	C10	263005-3	RUBBER PIN 6	2				
	C20	252126-6	HEX. LOCK NUT M4-7	2				
	C30	931102-0	HEX. NUT M4	1				
	C40	8007R2-2	XGT LOGO LABEL	1				
	D10		INC. 4					
004		183X27-0	HOUSING SET	1				
	C10	263005-3	RUBBER PIN 6	2				
	C20	252126-6	HEX. LOCK NUT M4-7	2				
	C30	931102-0	HEX. NUT M4	1				
	C40	8007R2-2	XGT LOGO LABEL	1				
	D10		INC. 3					
005		266130-9	TAPPING SCREW BIND PT 3X16	9				
006		911113-1	PAN HEAD SCREW M4X10 WITH WR	2				
007		915101-0	BINDING HEAD SCREW M4X6	4				
008		413N52-0	FRONT COVER	1				
009		256882-0	FLAT FILLISTER HD. PIN 4	1				
010		347528-0	UPPER PLATE	1				
011		347684-6	DRIVER	1				
012		136944-9	COUNTER WEIGHT ASS'Y	1				
	D10		INC. 13-40					
013		251566-5	H.S.H BOLT M4X6 WITH W	2				
014		347146-4	PINION GUIDE	2				
015		413330-4	COUNTER WEIGHT HOLDER	4				
016		313421-0	COUNTER WEIGHT A	2				
017		310925-3	COUNTER WEIGHT B	2				
018		326902-5	PINION SHAFT	2				
019		136104-3	SPUR GEAR ASSEMBLY	2				
020		347933-1	RAIL	1				
021		347936-5	BOTTOM PLATE	1				
022		327939-5	GUIDE BOLT	1				
023		251566-5	H.S.H BOLT M4X6 WITH W	1			DN862	
023-1		266199-3	HEX.SOCKET HEAD BOLT M4X6	1	<	DN862		
024		313464-2	BOTTOM HOLDER	1				
025		251566-5	H.S.H BOLT M4X6 WITH W	1			DN862	
025-1		266199-3	HEX.SOCKET HEAD BOLT M4X6	1	<	DN862		
026		347938-1	GUIDE RAIL L	1				
027		232822-2	COMPRESSION SPRING 17	1				
028		266167-6	HEX. SOCKET HEAD BOLT M4X10	1				
029		347939-9	GUIDE RAIL R	1				
030		266167-6	HEX. SOCKET HEAD BOLT M4X10	1				
031		347A99-3	HAMMER	1				
032		422A00-0	CUSHION	1				
033		253804-1	FLAT WASHER 6	1				
034		312D79-6	HOLDER	1				
035		252273-3	HEX. NUT M6	1				
036		347A98-5	COUNTER STOPPER	1				
037		422A01-8	COUNTER CUSHION	2				
038		327B22-0	WEIGHT	2				
039		232630-1	COMPRESSION SPRING 7	2				
040		327943-4	GUIDE PIPE	2				
041		140W22-7	SWITCH COMPLETE	1				
042		456799-9	TRIGGER LOCK	1				
043		232370-1	COMPRESSION SPRING 5	1				
044		632S31-1	SWITCH UNIT	1				
045		232672-5	LEAF SPRING	1				
046		413N51-2	TRIGGER	1				
047		347934-9	GEAR PLATE	1				
048		141G69-8	SPUR GEAR 61 COMPLETE	1				
049		266901-4	TAPPING SCREW 4X14	1				
050		226892-1	SPUR GEAR 25	1				
051		141G70-3	BASE PLATE COMPLETE	1				
052		140W22-7	SWITCH COMPLETE	1				

A:ST001GZ(N)

Interchange
 O : Yes
 X : No
 < : the new part can be substituted for the current.
 > : the current part can be substituted for the new.
 S : Interchangeable as a set.

