



TH	THAILAND
----	----------

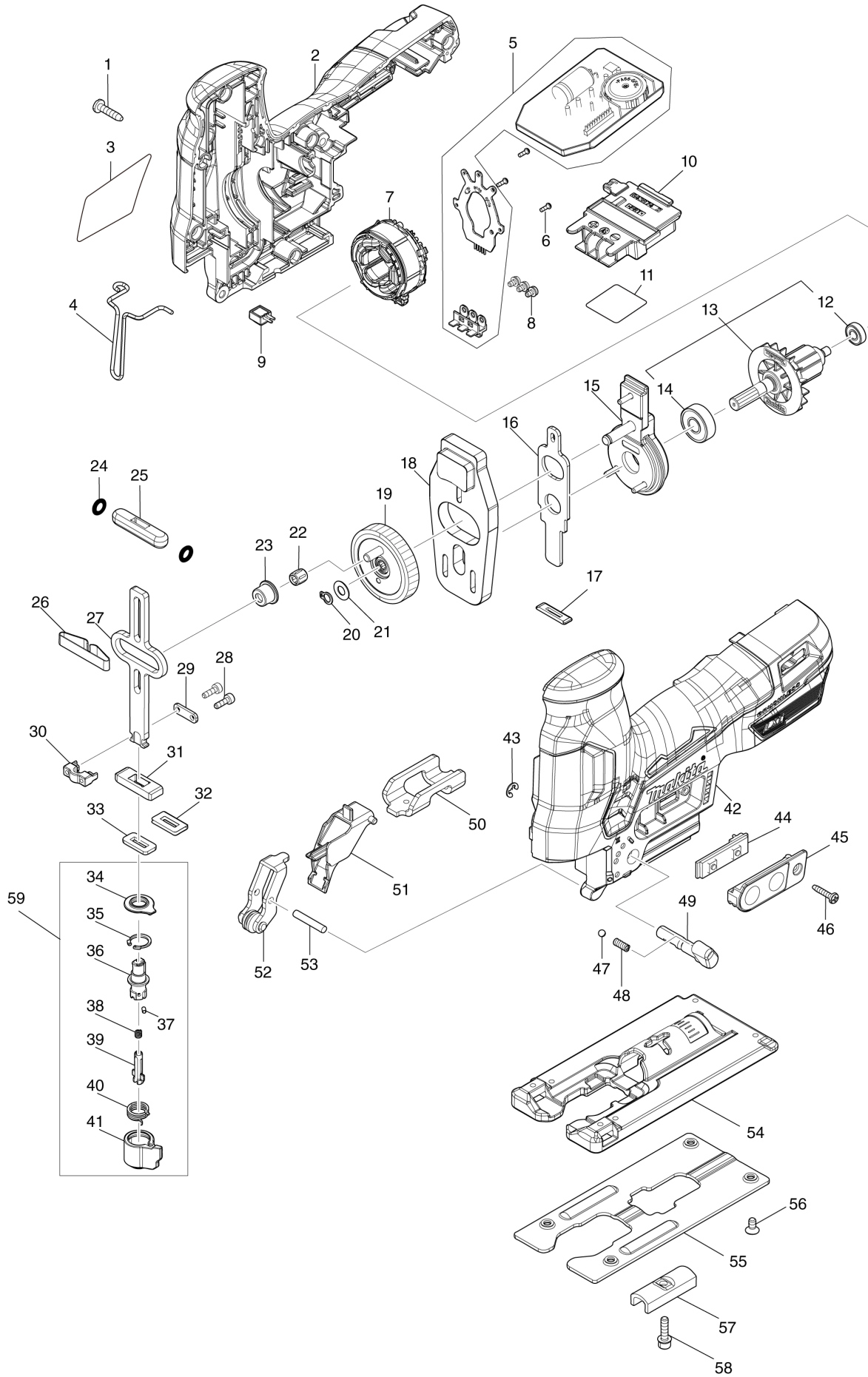
Diagram / Parts List

DJV185

CORDLESS JIG SAW



(TH) DJV185 / CORDLESS JIG SAW



TH	THAILAND
-----------	-----------------

DJV185 / CORDLESS JIG SAW

Item	Sub	Parts No.	Parts Description	Qty	I/C	E/C No.	Close No.	Remark
001		266326-2	TAPPING SCREW 4X18	9				
002		183X94-5	HOUSING SET	1				
	C10	263005-3	RUBBER PIN 6	2				
	D10		INC. 42					
003		8589C8-1	DJV185 NAME PLATE	1				
004		323748-0	SAFETY WIRE	1				
005		620L44-2	CONTROLLER	1				
006		266490-9	TAPPING SCREW PT 2X6	3				
007		629B14-8	STATOR	1				
008		652069-6	FLAT HEAD SCREW M3X6	3				
009		620712-5	LED CIRCUIT	1				
010		643874-2	TERMINAL	1				
011		8589D9-6	DJV185 SERIAL NO. LABEL	1				
012		210039-7	BALL BEARING 695DDW	1				
013		519824-8	ROTOR ASSEMBLY	1				
	D10		INC. 12,14					
014		210005-4	BALL BEARING 608DDW	1				
015		144820-3	BEARING CASE COMPLETE	1				
016		347249-4	PUSH PLATE	1				
017		416703-0	DUST SEAL	1				
018		310812-6	BALANCE PLATE	1				
019		141H68-6	GEAR COMPLETE	1				
020		961002-0	RETAINING RING S-6	1				
021		253715-0	FLAT WASHER 6	1				
022		212265-4	NEEDLE CAGE 508	1				
023		257872-6	SHOULDER SLEEVE 8	1				
024		213038-8	O RING 5	2				
025		313082-6	SLIDER GUIDE	1				
026		232183-0	LEAF SPRING	1				
027		347966-6	SLIDER	1				
028		266177-3	HEX. SOCKET HEAD BOLT M3X10	2				
029		347247-8	PLATE	1				
030		310811-8	BLADE CLAMP	1				
031		313086-8	SLIDER SUPPORT	1				
032		344686-3	SEAL PLATE	1				
033		423307-1	POLYURETHANE SPONGE SEAL	1				
034		424437-1	DUST COVER	1				
035		962063-3	RETAINING RING R-13	1				
036		310810-0	BLADE GUIDE	1				
037		256528-8	PIN 2	1				
038		233314-4	COMPRESSION SPRING 4	1				
039		310485-5	LOCK PIN	1				
040		233591-8	TORSION SPRING 10	1				
041		452850-3	INSERT HOLDER	1				
042		183X94-5	HOUSING SET	1				
	C10	263005-3	RUBBER PIN 6	2				
	D10		INC. 2					
043		961011-9	STOP RING E-4	1				
044		620L34-5	SWITCH UNIT	1				
045		144628-5	SWITCH PLATE COMPLETE	1				
046		266130-9	TAPPING SCREW BIND PT 3X16	1				
047		216008-6	STEEL BALL 4	1				
048		233151-6	COMPRESSION SPRING 4	1				
049		271441-9	LEVER 19	1				
050		347251-7	HOLDER	1				
051		457866-3	RETAINER GUIDE	1				
052		144629-3	RETAINER COMPLETE	1				
053		256206-0	PIN 4	1				
054		312C90-2	BASE	1				
055		345441-6	BASE PLATE	1				
056		912107-9	COUNTERSUNK HEAD SCREW M4X8	4				
057		344685-5	CLAMP PLATE	1				
058		922128-3	HEX. SOCKET HEAD BOLT M4X16	1				
059		135941-2	BLADE GUIDE ASS'Y	1				
	D10		INC. 34-41					

A:DJV185Z(N)
B:DJV185RFJ(H)

Interchange
O : Yes
X : No
< : the new part can be substituted for the current.
> : the current part can be substituted for the new.
S : Interchangeable as a set.

