



TH	THAILAND
----	----------

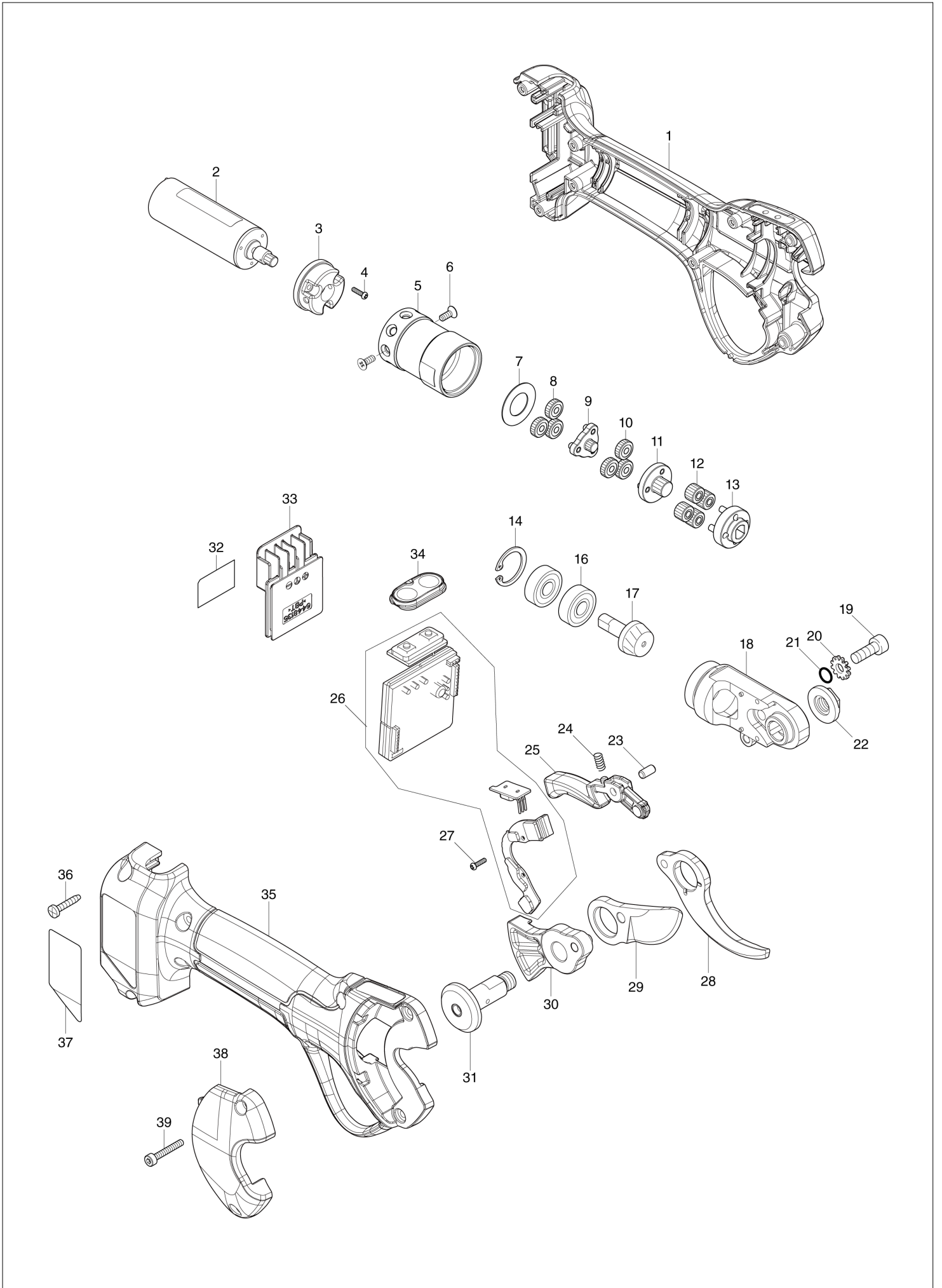
# Diagram / Parts List

**UP100D**

**CORDLESS PRUNING SHEARS**



(TH) UP100D / CORDLESS PRUNING SHEARS



<b>TH</b>	<b>THAILAND</b>
-----------	-----------------

## UP100D / CORDLESS PRUNING SHEARS

Item	Sub	Parts No.	Parts Description	Qty	I/C	E/C No.	Close No.	Remark
001		183Y33-1	HOUSING SET	1				
	C10	8065E6-9	INDICATION LABEL	1				
	C20	8065E7-7	INDICATION LABEL	1				
	D10		INC. 35					
002		629C07-1	DC MOTOR	1				
003		312D98-2	MOTOR HOLDER	1				
004		265D05-3	PAN HEAD SCREW M2X8	3				
005		227A61-3	INTERNAL GEAR 43	1				
006		912007-3	C.H.SCREW M3X8	2				
007		253084-9	FLAT WASHER 12	1				
008		227A64-7	SPUR GEAR 17	3				
009		162C36-6	SPUR GEAR 8 B COMPLETE	1				
010		227A64-7	SPUR GEAR 17	3				
011		162C37-4	SPUR GEAR 13 COMPLETE	1				
012		227A63-9	SPUR GEAR 14	4				
013		162C31-6	SUPPORTER COMPLETE	1				
014		962059-4	RETAINING RING (INT) R-19	1				
016		210017-7	BALL BEARING 607DDW	2				
017		227A60-5	ZEROL BEVEL GEAR 9	1				
018		327B57-1	GEAR HOUSING	1				
019		922217-4	HEX. SOCKET HEAD BOLT M5X14	1				
020		253578-4	LOCK PLATE	1				
021		213021-5	O RING 5	1				
022		252321-8	HEX. NUT M8	1				
023		256251-5	PIN 4	1				
024		233033-2	COMPRESSION SPRING 4	1				
025		162C32-4	TRIGGER COMPLETE	1				
026		620K67-4	CONTROLLER	1			DN373	
026-1		620N17-7	CONTROLLER	1	<	DN373		
027		265D05-3	PAN HEAD SCREW M2X8	2				
028		1911W1-7	SHEAR BLADE L SET	1				
029		1911W2-5	SHEAR BLADE U SET	1				
030		162C33-2	BLADE HOLDER COMPLETE	1				
031		162C35-8	SHOULDER SCREW M8 COMPLETE	1				
032		8586G2-3	UP100D SERIAL NO. LABEL	1				
033		644813-5	TERMINAL	1				
034		162C34-0	SWITCH PLATE COMPLETE	1				
	C10	8065E5-1	SWITCH LABEL	1				
035		183Y33-1	HOUSING SET	1				
	C10	8065E6-9	INDICATION LABEL	1				
	C20	8065E7-7	INDICATION LABEL	1				
	D10		INC. 1					
036		266130-9	TAPPING SCREW BIND PT 3X16	6				
037		8586U1-3	UP100D NAME PLATE	1				
038		162C42-1	HOUSING COVER COMPLETE	1				
	C10	8065E8-5	CAUTION LABEL	1				
039		265633-0	HEX SOCKET HEAD BOLT M3X20	2				
A01		782212-4	SOCKET WRENCH 13	1				
A02		783202-0	HEX. WRENCH 4	1				
A03		783208-8	HEX. WRENCH 2.5	1				
A04		162C23-5	HOLSTER	1				
A05		1912E4-1	DRESSER STONE SET	1				
A06		182470-6	OIL SUPPLY	1				
A08B		***DC10SB	DC10SB BATTERY CHARGER	1				
	D10		COMPO-PARTS					
A09B		199289-6	BATTERY BL1041B SET	1				
A10B		8066L1-4	UP100DSMJ INDICATION LABEL	1				
A11B		8066L2-2	UP100DSMJ PLASTIC CASE LABEL	2				
A12B		821550-0	CONNECTOR PLASTIC CASE (TYPE2)	1				
	C10	453974-8	LATCH	4				
A13B		8357T7-7	INNER TRAY	1				
A:UP100DZ(N) B:UP100DSMJ(H)							Interchange O : Yes X : No < : the new part can be substituted for the current. > : the current part can be substituted for the new. S : Interchangeable as a set.	