



TH	THAILAND
----	----------

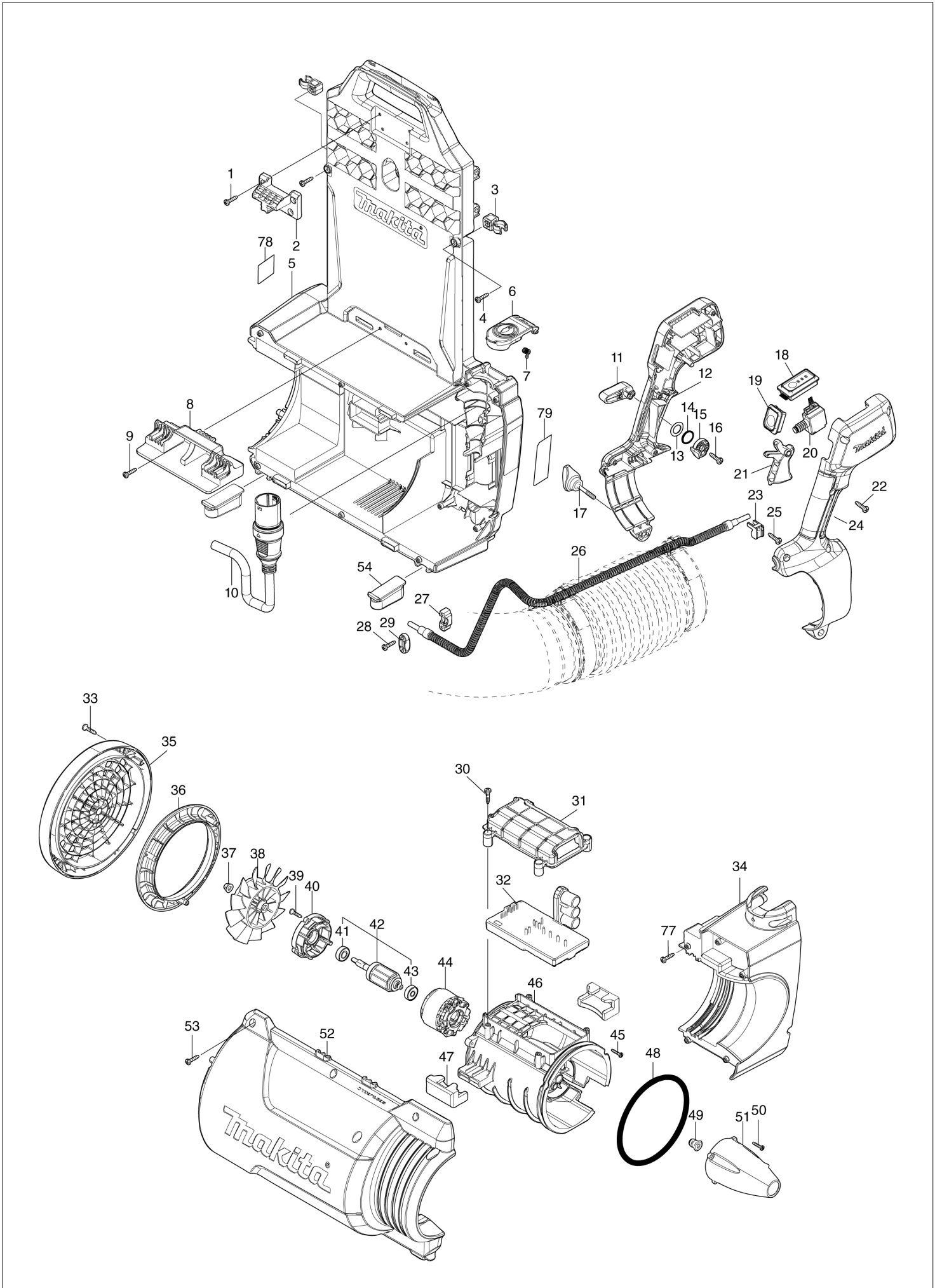
Diagram / Parts List

UB002C

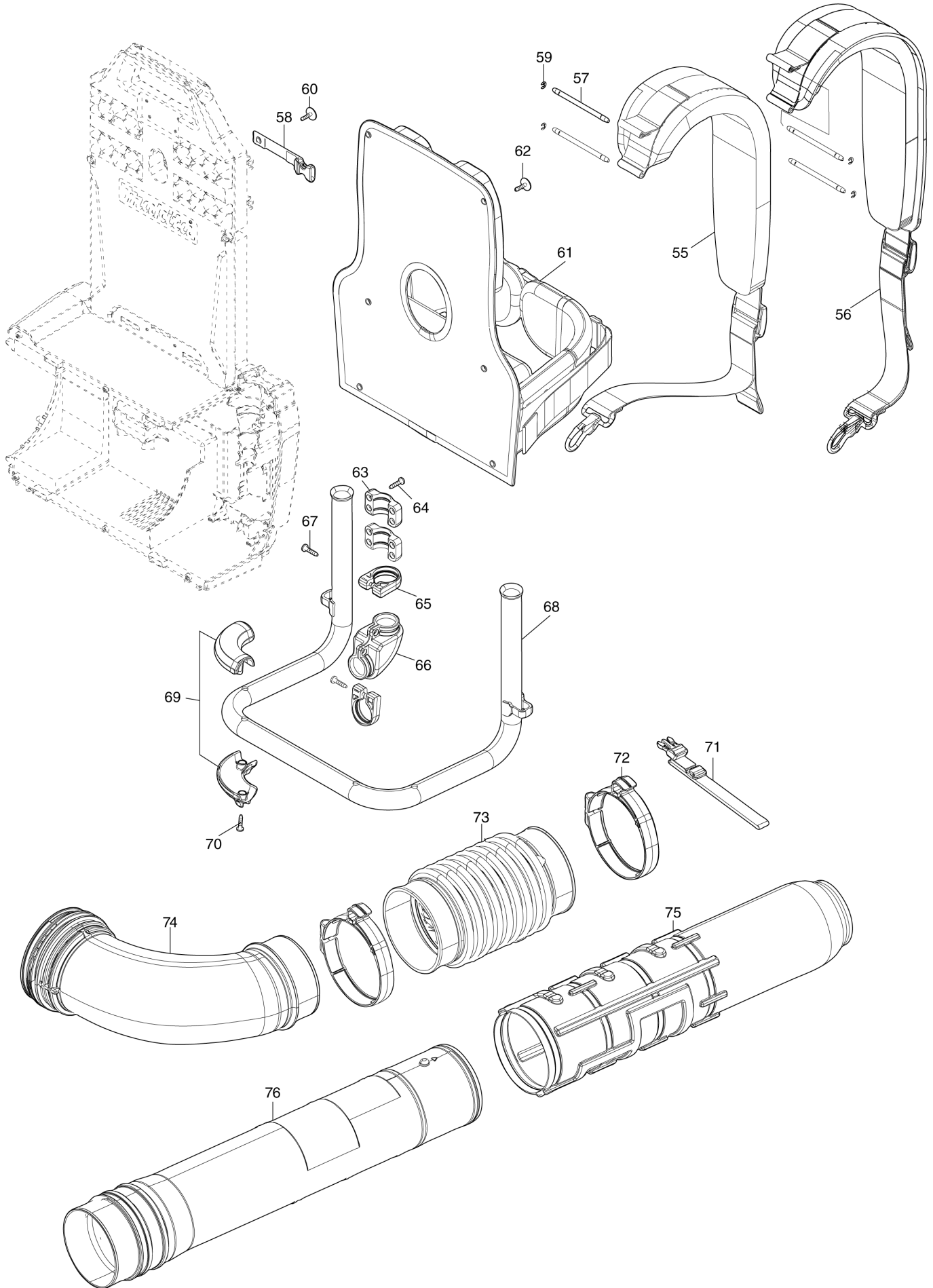
BATTERY POWERED BLOWER



(TH) UB002C / BATTERY POWERED BLOWER



(TH) UB002C / BATTERY POWERED BLOWER



TH	THAILAND
----	----------

UB002C / BATTERY POWERED BLOWER

Item	Sub	Parts No.	Parts Description	Qty	I/C	E/C No.	Close No.	Remark
001		266326-2	TAPPING SCREW 4X18	4				
002		413G75-6	UPPER HOLDER	1				
003		413613-2	HOLDER	2				
004		266326-2	TAPPING SCREW 4X18	2				
005		141J75-1	FRAME COMPLETE	1				
006		413G74-8	CONNECTOR COVER	1				
007		232681-4	TORSION SPRING 4	1				
008		413G65-9	BOTTOM HOLDER	1				
009		266326-2	TAPPING SCREW 4X18	2				
010		699202-9	POWER SUPPLY CORD UNIT	1				
011		413G66-7	CONTROL LEVER	1				
012		183W35-5	LEVER CASE SET	1				
	C10	252103-8	HEX. LOCK NUT M5-8	1				
	D10		INC. 24					
013		253798-0	FLAT WASHER 13	1				
014		213154-6	O RING 14	1				
015		412754-1	LINK	1				
016		266326-2	TAPPING SCREW 4X18	1				
017		265C61-7	THUMB SCREW M5X35	1				
018		620J51-3	SWITCH CIRCUIT COMPLETE	1				
019		140X08-7	SWITCH CIRCUIT COMPLETE	1				
	C10	810D46-0	SWITCH LABEL	1				
020		651492-2	SWITCH C3JR-1A-PAXD3	1				
021		413G68-3	SWITCH LEVER	1				
022		266326-2	TAPPING SCREW 4X18	6				
023		687260-7	STRAIN RELIEF	1				
024		183W35-5	LEVER CASE SET	1				
	C10	252103-8	HEX. LOCK NUT M5-8	1				
	D10		INC. 12					
025		266326-2	TAPPING SCREW 4X18	1				
026		699203-7	POWER SUPPLY CORD UNIT	1				
027		687051-6	STRAIN RELIEF	1				
028		266326-2	TAPPING SCREW 4X18	2				
029		687124-5	STRAIN RELIEF	1				
030		266326-2	TAPPING SCREW 4X18	4				
031		413G73-0	CONTROLLER CASE COVER	1				
032		620K47-0	CONTROLLER COMPLETE	1			DL327	
032-1		620P25-0	CONTROLLER COMPLETE	1	<	DL327		
033		266326-2	TAPPING SCREW 4X18	4				
034		141J78-5	CORD COVER COMPLETE	1				
	C10	8011Y4-4	CAUTION LABEL	1				
035		413G61-7	REAR COVER	1				
036		413G72-2	FAN GUIDE	1				
037		252286-4	COLLARED HEX.LOCK NUT M5-8	1				
038		240237-9	FAN 110	1				
039		266130-9	TAPPING SCREW BIND PT 3X16	4				
040		413G67-5	MOTOR HOUSING COVER	1				
041		210040-2	BALL BEARING 698LLU	1				
042		519639-3	ROTOR ASS'Y	1				
	D10		INC. 41,43					
043		210022-4	BALL BEARING 626DDW	1				
044		629B90-2	STATOR COMPLETE	1				
045		266130-9	TAPPING SCREW BIND PT 3X16	3				
046		413G60-9	MOTOR HOUSING	1				
047		422877-7	RUBBER CUSHION	2				
048		424721-4	RUBBER RING 115	1				
049		422879-3	GROMMET	1				
050		266130-9	TAPPING SCREW BIND PT 3X16	3				
051		413G64-1	CAP	1				
052		141J76-9	HOUSING COMPLETE	1				
053		266326-2	TAPPING SCREW 4X18	10				
054		422878-5	RUBBER CUSHION	2				
055		161509-8	BAND L	1			DS286	
055-1		162D39-6	BAND L	1	<	DS286		
056		161510-3	BAND R	1			DS286	

A:UB002CZ(N)

Interchange
 O : Yes
 X : No
 < : the new part can be substituted for the current.
 > : the current part can be substituted for the new.
 S : Interchangeable as a set.

