



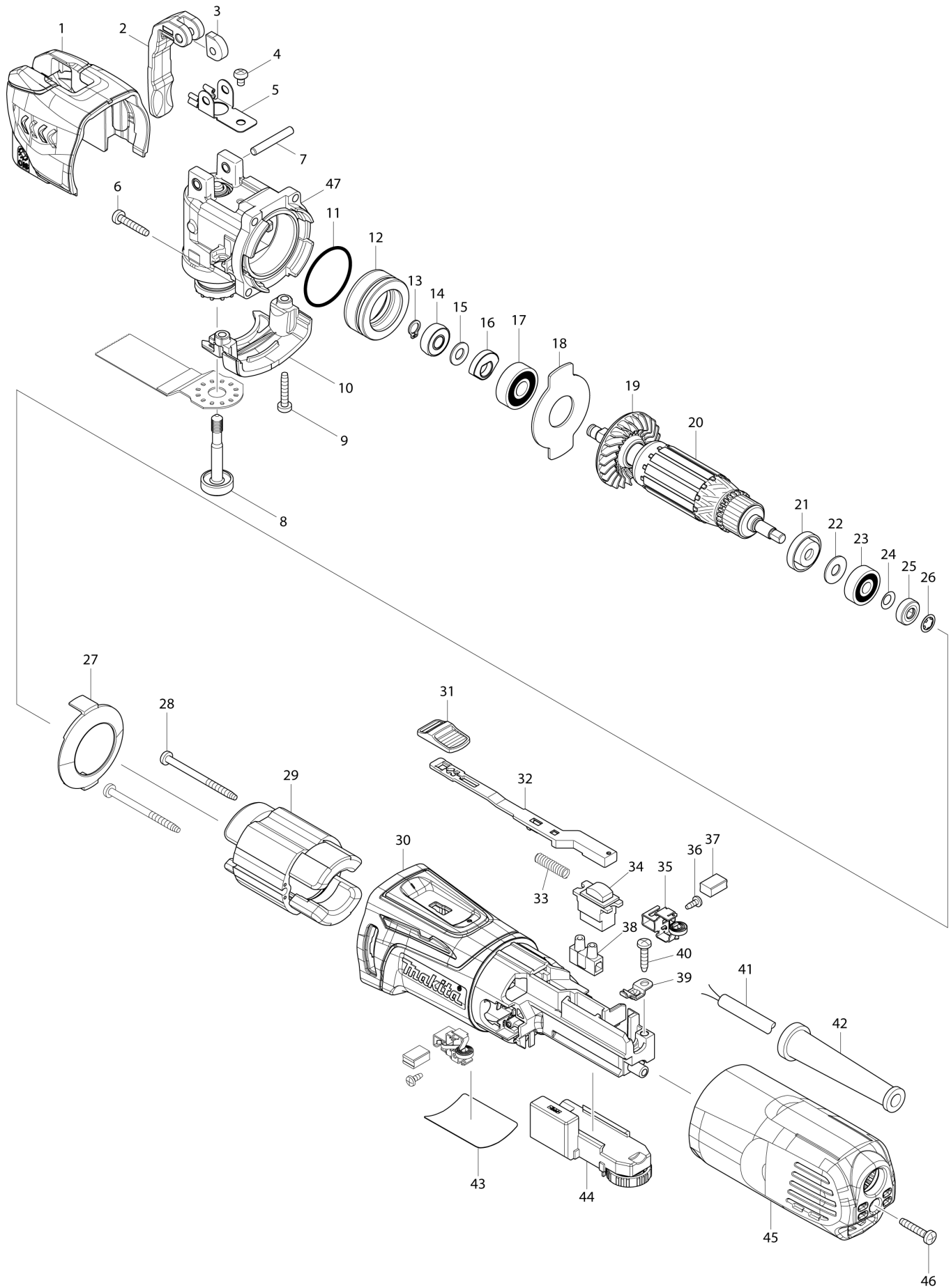
TH	THAILAND
----	----------

# Diagram / Parts List

**TM3010C**  
**MULTI TOOL**



(TH) TM3010C / MULTI TOOL



TH	THAILAND
----	----------

**TM3010C / MULTI TOOL**

Item	Sub	Parts No.	Parts Description	Qty	I/C	E/C No.	Close No.	Remark
001		454634-5	UPPER HEAD COVER	1			A2920	
001-1		455272-6	UPPER HEAD COVER	1	O	A2920		
002		319059-9	LEVER	1				
003		313268-2	TURN BLOCK	1				
004		911102-6	PAN HEAD SCREW M4X6	1				
005		232282-8	LEAF SPRING	1				
006		266424-2	TAPPING SCREW 4X20	4				
007		268306-4	PIN 5	1				
008		326346-9	HOLDER BOLT	1			C5179	
008-1		327176-1	HOLDER BOLT	1	<	C5179		
009		266424-2	TAPPING SCREW 4X20	2				
010		454635-3	LOWER HEAD COVER	1				
011		213343-3	O RING 35	1				
012		326347-7	BEARING BOX	1				
013		961003-8	RETAINING RING S-7	1				
014		211392-4	SPHERE BEARING 706	1			B6569	
014-1		210164-4	SPHERE BEARING 706	1	O	B6569		
015		253133-2	FLAT WASHER 7	1				
016		313245-4	BALANCER	1				
017		211092-6	BALL BEARING 629DDW	1				
018		285857-2	BEARING RETAINER	1				
019		240140-4	FAN 46	1				
020		517683-4	ARMATURE ASSEMBLY 220-240V	1				
	D10		INC. 19,21-26					
021		681636-0	INSULATION WASHER	1				
022		267426-1	FLAT WASHER 7	1				
023		210023-2	BALL BEARING 627DDW	1				
024		267756-0	WAVE WASHER 6	1				
025		688174-3	MAGNET SLEEVE	1			B9765	
025-1		688117-5	MAGNET SLEEVE	1	O	B9765		
026		259039-2	SELF LOCK 6	1				
027		453828-9	BAFFLE PLATE	1				
028		266415-3	TAPPING SCREW 4X55	2				
029		623558-8	FIELD 220-240V	1				
030		453823-9	MOTOR HOUSING	1				
031		453761-5	SWITCH KNOB	1				
032		453825-5	SWITCH LEVER	1				
033		234263-8	COMPRESSION SPRING 5	1				
034		651609-7	SWITCH SS106A-7-1	1				
035		643839-4	BRUSH HOLDER 6X9	2				
036		266492-5	TAPPING SCREW 3X8	2				
037		195026-6	CARBON BRUSH SET CB-459	1				
038		654532-5	TERMINAL BLOCK 1P	1				
039		687682-1	STRAIN RELIEF	1				
040		266326-2	TAPPING SCREW 4X18	1				
041		691025-1	POWER SUPPLY CORD 0.75-2-5.0	1				
042		682504-0	CORD GUARD 10-85	1				
043		814T82-4	TM3010C NAME PLATE	1				
044		620234-5	CONTROLLER	1				
045		453824-7	REAR COVER	1				
046		266424-2	TAPPING SCREW 4X20	1				
047		142208-1	CRANK HOUSING COMPLETE	1			A6814	
047-1		143249-0	CRANK HOUSING COMPLETE	1	<	A6814		
A01		142257-8	TOOL BOX COMPLETE	1			A7423	
	C10	454652-3	LATCH	1			A7423	
A01-1		143308-0	TOOL BOX COMPLETE WITH LABEL	1	O	A7423		
	C10	454652-3	LATCH	1		A7423		
A02		821592-4	PLASTIC CARRYING CASE	1				
	C10	162315-4	LATCH	2				
	C20	452137-3	HANDLE	1				
A03B		196271-6	ADAPTER A SET	1			C5794	
A04B		B-21325	SEGMENT SAW BLADE 85 TMA006	1			C5794	
A04-1B		B-64799	STARLOCK SEGMENTSAW 85 TMA045	1	O	C5794		
A05B		B-21353	PLUNGE CUT SAW BLADE 28 TMA009	1			C5794	
A05-1B		B-64814	STARLOCK CUTSAW 32 TMA047 BIM	1	O	C5794		

A:TM3010CK(H)  
B:TM3010CX10(H)

Interchange  
O : Yes  
X : No  
< : the new part can be substituted for the current.  
> : the current part can be substituted for the new.  
S : Interchangeable as a set.

<b>TH</b>	<b>THAILAND</b>
-----------	-----------------

**TM3010C / MULTI TOOL**

Item	Sub	Parts No.	Parts Description	Qty	I/C	E/C No.	Close No.	Remark
A06B		B-21381	PLUNGE CUT SAW BLADE 32 TMA012	1			C5794	
A06-1B		B-64858	STARLOCK CUTSAW 32 TMA051 HCS	1	O	C5794		
A07B		B-21434	PLUNGE CUT SAW BLADE 10 TMA017	1			C5794	
A07-1B		B-64917	STARLOCK CUTSAW 10 TMA057 BIM	1	O	C5794	D8846	
A07-2B		B-64917	STARLOCK CUTSAW 10 TMA057 BIM	1	O	D8846		
A08B		B-21456	SCRAPER 52 FLEXIBLE TMA019	1			C5794	
A08-1B		B-64995	STARLOCK SCRAPERFLEXIBLE TMA66	1	O	C5794		
A09B		B-21490	HM SEG SAW BLADE 85 TMA023	1			C5794	
A09-1B		B-65028	STARLOCK SEGMENTSAW 85 TMA069	1	O	C5794		
A10B		B-21624	ABRASIVEPAPER DELTA RED 60	1				
A11B		B-22947	ABRASIVEPAPER DELTA RED 100	1				
A12B		B-22953	ABRASIVEPAPER DELTA RED 150	1				
A13B		B-21537	SANDING PAD	1			Y07812	
A13-1B		B-46202	SANDING PAD	1	<	Y07812	C5794	
A13-2B		B-65115	STARLOCK SANDING PAD 93 TMA078	1	O	C5794	DP661	
A13-3B		B-46202	SANDING PAD	1	O	DP661	Y09354	
A13-4B		B-65115	STARLOCK SANDING PAD 93 TMA078	1	O	Y09354		
A14B		821591-6	TOOL BOX	1				
	C10	454652-3	LATCH	1				

A:TM3010CK(H)  
B:TM3010CX10(H)

Interchange  
O : Yes  
X : No  
< : the new part can be substituted for the current.  
> : the current part can be substituted for the new.  
S : Interchangeable as a set.