



| | |
|----|----------|
| TH | THAILAND |
|----|----------|

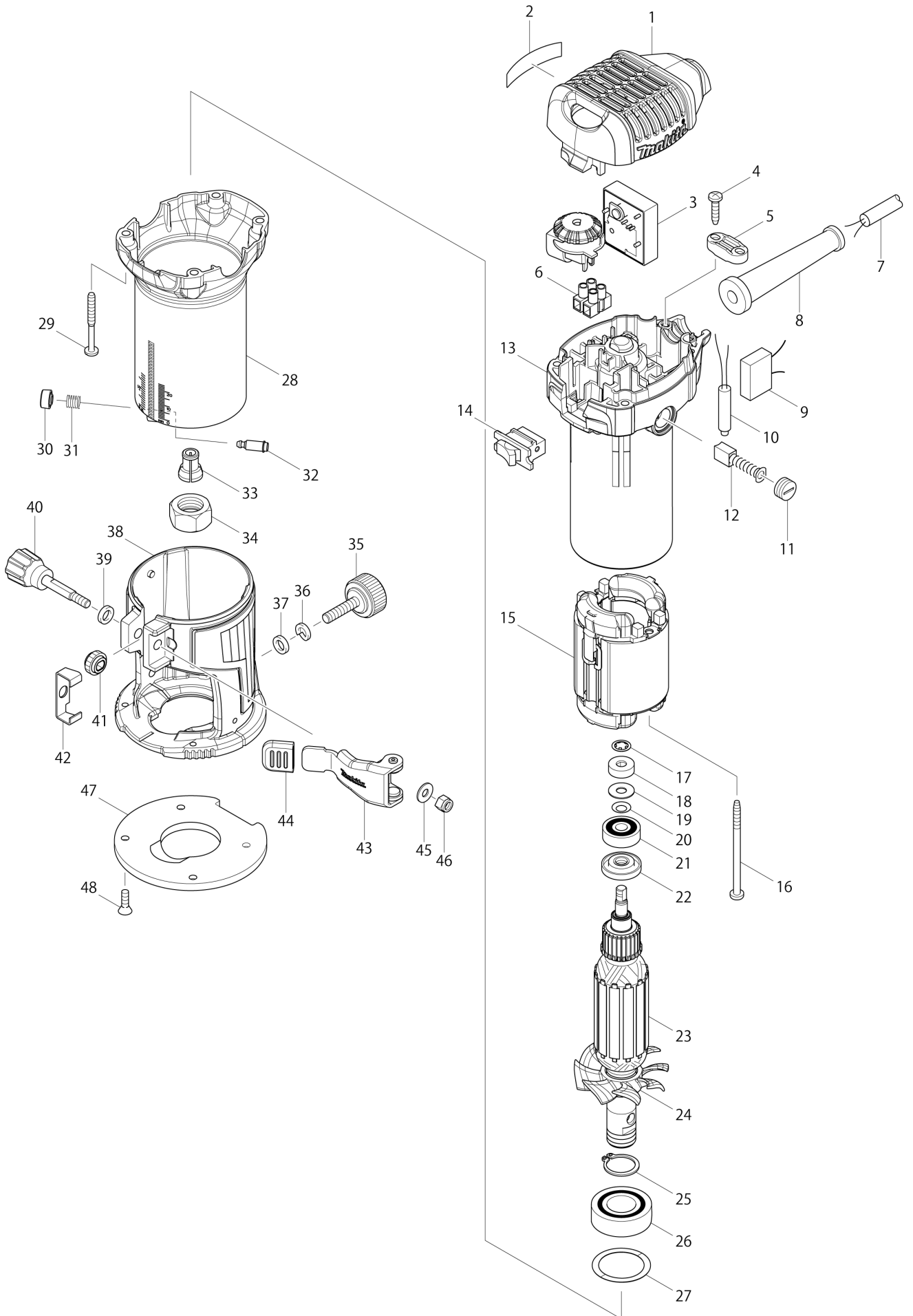
Diagram / Parts List

RT0700C

TRIMMER



(TH) RT0700C / TRIMMER



| | |
|----|----------|
| TH | THAILAND |
|----|----------|

RT0700C / TRIMMER

| Item | Sub | Parts No. | Parts Description | Qty | I/C | E/C No. | Close No. | Remark |
|--------|-----|-----------|------------------------------|-----|-----|---------|-----------|--------|
| 001 | | 452465-6 | TOP COVER | 1 | | | DH488 | |
| 001-1 | | 413E90-8 | TOP COVER | 1 | S | DH488 | | |
| 002 | | 869668-9 | RT0700C NAME PLATE | 1 | | | | |
| 003 | | 620040-8 | CONTROLLER | 1 | | | | |
| 004 | | 266326-2 | TAPPING SCREW 4X18 | 2 | | | | |
| 005 | | 687124-5 | STRAIN RELIEF | 1 | | | | |
| 006 | | 654542-2 | TERMINAL BLOCK 2P | 1 | | | | |
| 007 | | 691065-9 | POWER SUPPLY CORD 0.75-2-2.5 | 1 | | | | |
| 008 | | 682569-2 | CORD GUARD 8-85 | 1 | | | | |
| 011 | | 643550-8 | BRUSH HOLDER CAP 5-8 | 2 | | | | |
| 012 | | B-80391 | CARBON BRUSH SET CB-411A | 1 | | | | |
| 013 | | 140736-0 | BRACKET COMPLETE | 1 | | | DH488 | |
| | C10 | 643455-2 | BRUSH HOLDER 6X9 | 2 | | | DH488 | |
| 013-1 | | 141N79-7 | BRACKET COMPLETE | 1 | S | DH488 | | |
| | C10 | 643455-2 | BRUSH HOLDER 6X9 | 2 | | DH488 | | |
| 014 | | 651527-9 | SWITCH | 1 | | | | |
| 015 | | 633768-9 | FIELD 220V | 1 | | | Y07750 | |
| 015-1 | | 593768-0 | FIELD ASS'Y 220V | 1 | < | Y07750 | | |
| | C10 | 654100-4 | RING TERMINAL | 1 | | Y07750 | | |
| | C20 | 654501-6 | CONNECTOR P-1.25 | 1 | | Y07750 | DE676 | |
| | C21 | 654485-8 | PARALLEL SPLICE | 1 | O | DE676 | | |
| 016 | | 266340-8 | TAPPING SCREW 4X65 | 2 | | | | |
| 017 | | 259039-2 | SELF LOCK 6 | 1 | | | | |
| 018 | | 688174-3 | MAGNET SLEEVE | 1 | | | B9765 | |
| 018-1 | | 688117-5 | MAGNET SLEEVE | 1 | O | B9765 | | |
| 019 | | 253332-6 | THIN WASHER 6 | 1 | | | | |
| 020 | | 267756-0 | WAVE WASHER 6 | 1 | | | | |
| 021 | | 210023-2 | BALL BEARING 627DDW | 1 | | | | |
| 022 | | 681668-7 | INSULATION WASHER | 1 | | | A1467 | |
| 022-1 | | 681668-7 | INSULATION WASHER | 1 | O | A1467 | | |
| 023 | | 515843-2 | ARMATURE ASS'Y 220V | 1 | | | DD670 | |
| | D10 | | INC. 17-22,24-26 | | | | DD670 | |
| 023-1 | | 510531-6 | ARMATURE ASS'Y 220V | 1 | < | DD670 | DK783 | |
| | D10 | | INC. 17-22,24-26 | | | DD670 | DK783 | |
| 023-2 | | 515843-2 | ARMATURE ASS'Y 220V | 1 | < | DK783 | | |
| | D10 | | INC. 17-22,24-26 | | | DK783 | | |
| 024 | | 240125-0 | FAN 55 | 1 | | | | |
| 025 | | 961057-5 | RETAINING RING S-17 | 1 | | | | |
| 026 | | 210301-0 | BALL BEARING 6003DDW | 1 | | | DD670 | |
| 026-1 | | 210268-2 | BALL BEARING 6003DDW | 1 | O | DD670 | DK783 | |
| 026-2 | | 210301-0 | BALL BEARING 6003DDW | 1 | < | DK783 | | |
| 027 | | 253906-3 | WAVE WASHER 26 | 1 | | | | |
| 028 | | 140735-2 | OUTER HOUSING COMPLETE | 1 | | | D5472 | |
| 028-1 | | 140735-2 | OUTER HOUSING COMPLETE | 1 | O | D5472 | | |
| 029 | | 266560-4 | TAPPING SCREW 4X40 | 4 | | | | |
| 030 | | 452468-0 | PUSH BUTTON | 1 | | | | |
| 031 | | 233127-3 | COMPRESSION SPRING 7 | 1 | | | | |
| 032 | | 256437-1 | PIN 4 | 1 | | | | |
| 033 | | 763637-1 | COLLET CONE 1/4" | 1 | | | | |
| 034 | | 763615-1 | COLLET NUT | 1 | | | | |
| 035 | | 265763-7 | THUMB SCREW M6X25 | 1 | | | | |
| 036 | | 942151-2 | SPRING WASHER 6 | 1 | | | C3118 | |
| 036-1 | | 253428-3 | SPRING WASHER 6 | 1 | O | C3118 | | |
| 037 | | 941151-9 | FLAT WASHER 6 | 1 | | | | |
| 038A | | 140739-4 | TRIMMER BASE COMPLETE | 1 | | | A0462 | |
| 038-1A | | 142403-3 | TRIMMER BASE COMPLETE | 1 | < | A0462 | | |
| 038-1B | | 142403-3 | TRIMMER BASE COMPLETE | 1 | | | | |
| 039 | | 941151-9 | FLAT WASHER 6 | 1 | | | | |
| 040 | | 265792-0 | THUMB SCREW M5X35 | 1 | | | | |
| 041 | | 227262-7 | SPUR GEAR 16 | 1 | | | | |
| 042 | | 346392-6 | CAM PLATE | 1 | | | | |
| 043 | | 163524-8 | LOCK LEVER COMPLETE | 1 | | | | |
| 044 | | 424396-9 | RUBBER CAP | 1 | | | | |
| 045 | | 941101-4 | FLAT WASHER 5 | 1 | | | | |
| 046 | | 252103-8 | HEX. LOCK NUT M5-8 | 1 | | | | |

A:RT0700C(H)
B:RT0700CX3(H)

Interchange
O : Yes
X : No
< : the new part can be substituted for the current.
> : the current part can be substituted for the new.
S : Interchangeable as a set.

