



TH	THAILAND
----	----------

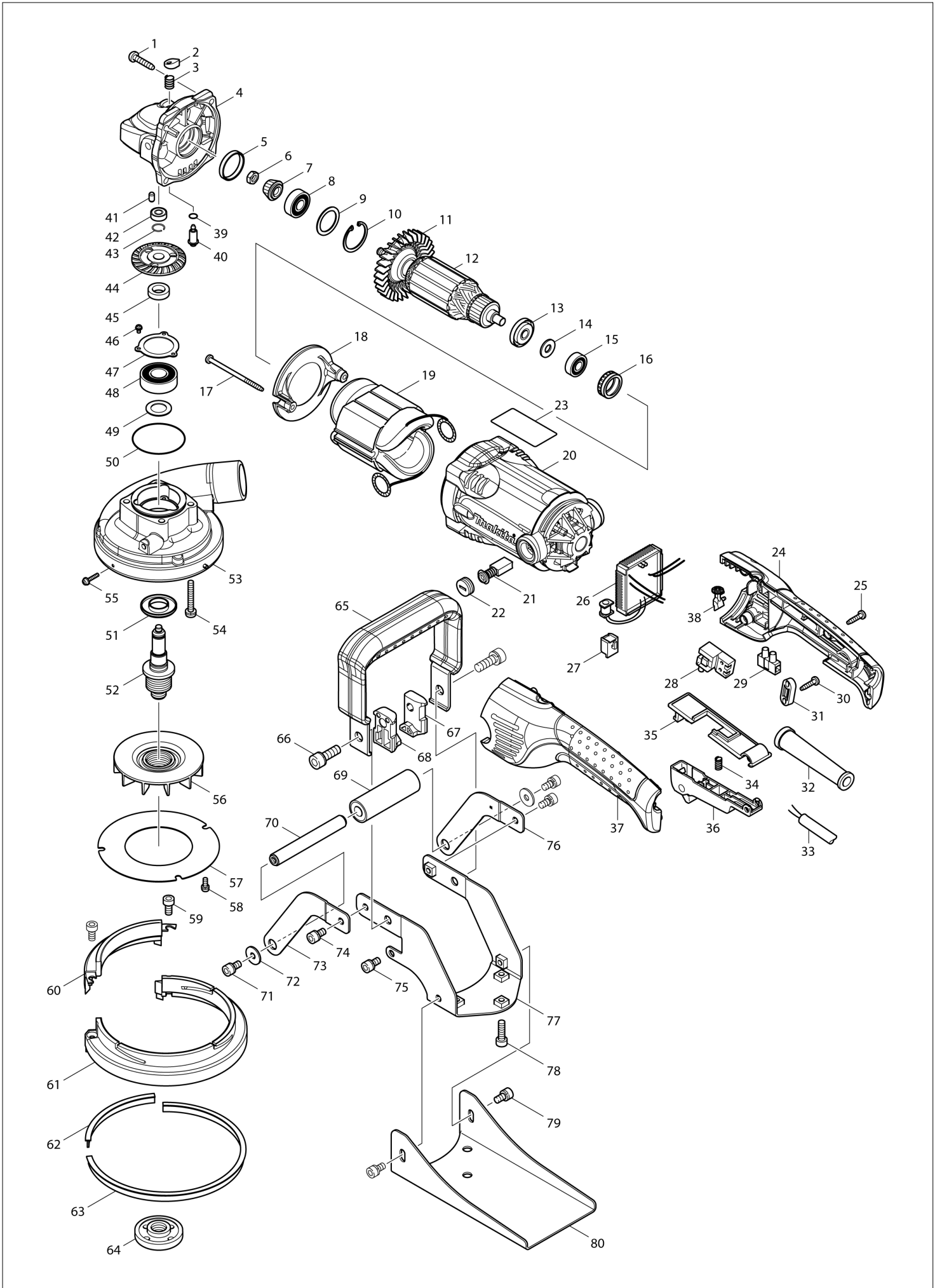
Diagram / Parts List

PC5001C

CONCRETE PLANER 125MM



(TH) PC5001C / CONCRETE PLANER 125MM



TH	THAILAND
----	----------

PC5001C / CONCRETE PLANER 125MM

Item	Sub	Parts No.	Parts Description	Qty	I/C	E/C No.	Close No.	Remark
001		266459-3	TAPPING SCREW 5X25	4				
002		417771-6	PIN CAP	1				
003		234057-1	COMPRESSION SPRING 8	1				
004		318158-4	GEAR HOUSING	1				
005		424051-3	RUBBER RING 26	1				
006		264010-3	HEX.NUT M7	1				
007		227520-1	SPIRAL BEVEL GEAR 11	1				
008		211088-7	BALL BEARING 6000DDW	1			87406	
008-1		210059-1	BALL BEARING 6000DDW	1	<	87406		
009		267352-4	FLAT WASHER 22	1				
010		962107-9	RETAINING RING (INT) R-30	1				
011		240094-5	FAN 70	1				
012		513728-6	ARMATURE ASS'Y 220V	1			86782	
	D10		INC. 11,13-15				86782	
012-1		513798-5	ARMATURE ASS'Y 220V	1	S	86782	97089	
	D10		INC. 11,13-15			86782	97089	
012-2		518684-5	ARMATURE ASS'Y 220V	1	<	97089		
	D10		INC. 11,13-15			97089		
013		681660-3	INSULATION WASHER	1				
014		267281-1	FLAT WASHER 8	1				
015		210044-4	BALL BEARING 608DDW	1			86782	
015-1		210005-4	BALL BEARING 608DDW	1	O	86782		
016		421720-7	RUBBER RING 22	1				
017		266325-4	TAPPING SCREW 4X70	2				
018		419961-7	BAFFLE PLATE	1				
019		525783-6	FIELD ASS'Y 220V	1			97089	
	C10	654020-2	RING TERMINAL	2			97089	
	C20	654501-6	CONNECTOR P-1.25	2			97089	
019-1		525784-4	FIELD ASS'Y 240V	1	S	97089	Y07982	
	C10	654020-2	RING TERMINAL	2		97089	Y07982	
	C20	654501-6	CONNECTOR P-1.25	2		97089	Y07982	
019-2		520087-1	FIELD ASS'Y 240V	1	O	Y07982		
	C10	654020-2	RING TERMINAL	2		Y07982		
	C20	654501-6	CONNECTOR P-1.25	2		Y07982	DE676	
	C21	654485-8	PARALLEL SPLICE	2	O	DE676		
020		140019-8	MOTOR HOUSING COMPLETE	1				
	C10	643751-8	BRUSH HOLDER	2				
021		194547-5	CARBON BRUSH CB-253	1			85070	
021-1		B-80363	CARBON BRUSH SET CB-251A	1	<	85070	Y05562	
021-2		194994-0	CARBON BRUSH SET CB-253	1	X	Y05562		
022		643750-0	BRUSH HOLDER CAP 7-11	2				
023		866331-5	PC5001C NAME PLATE	1				
024		188630-8	HANDLE SET	1				
	D10		INC. 37					
025		266326-2	TAPPING SCREW 4X18	4				
026		631799-2	CONTROLLER	1			DH956	
026-1		620G47-6	CONTROLLER	1	<	DH956		
027		418518-1	SLEEVE	1				
028		651922-3	SWITCH TG71B	1			96540	
028-1		650677-7	SWITCH C3PA-1112	1	<	96540	99186	
028-2		651922-3	SWITCH TG71B	1	<	99186		
029		654575-7	TERMINAL BLOCK	1				
030		266326-2	TAPPING SCREW 4X18	2				
031		687140-7	STRAIN RELIEF	1				
032		682574-9	CORD GUARD 10-90	1				
033		691025-1	POWER SUPPLY CORD 0.75-2-5.0	1				
034		233117-6	COMPRESSION SPRING 6	1				
035		418519-9	SWITCH BASE	1				
036		158403-3	SWITCH LEVER C COMPLETE	1				
037		188630-8	HANDLE SET	1				
	D10		INC. 24					
038		450184-8	LENS	1				
039		213977-2	O RING 7	1				
040		256505-0	SHOULDER PIN 5	1				
041		263002-9	RUBBER PIN 4	1				

A:PC5001C(H)

Interchange
O : Yes
X : No
< : the new part can be substituted for the current.
> : the current part can be substituted for the new.
S : Interchangeable as a set.

TH	THAILAND
-----------	-----------------

PC5001C / CONCRETE PLANER 125MM

Item	Sub	Parts No.	Parts Description	Qty	I/C	E/C No.	Close No.	Remark	
042		210033-9	BALL BEARING 696ZZ	1					
043		233950-6	RING SPRING 11	1					
044		227521-9	SPIRAL BEVEL GEAR 35A	1					
045		257171-6	RING 12	1			D9218		
045-1		257171-6	RING 12	1	O	D9218			
046		911003-8	PAN HEAD SCREW M3X6	3					
047		285728-3	BEARING RETAINER 39	1					
048		211241-5	BALL BEARING 6202DDW	1					
049		253853-8	FLAT WASHER 15	1					
050		213624-5	O RING 48	1					
051		345464-4	LABYRINTH RING	1					
052		325625-2	SPINDLE	1					
053		158914-8	SKIRT COMPLETE	1			90395		
053-1		141021-4	SKIRT B COMPLETE	1	<	90395			
054		911256-9	PAN HEAD SCREW M5X35	4					
055		911024-0	PAN HEAD SCREW M3X14	1					
056		240114-5	FAN 85	1					
057		346045-7	SEPARATOR	1					
058		911115-7	PAN HEAD SCREW M4X10	3					
059		922312-0	HEX. SOCKET HEAD BOLT M6X12	2					
060		424188-6	DUST COVER CAP	1			97089		
060-1		424526-2	DUST COVER CAP	1	S	97089			
061		424187-8	DUST COVER	1			97089		
061-1		424525-4	DUST COVER	1	S	97089			
062		443145-5	BRUSH B	1			97089		
062-1		743341-8	BRUSH B	1	S	97089			
063		443144-7	BRUSH A	1			97089		
063-1		743340-0	BRUSH A	1	S	97089			
064		224554-5	LOCK NUT 14-45	1					
065		273529-1	GRIP	1					
066		922441-9	HEX. SOCKET HEAD BOLT M8X25	2					
067		450190-3	SPACER B	1					
068		450190-3	SPACER B	1					
069		152179-4	FRONT ROLLER COMPLETE	1					
070		321436-3	FRONT ROLLER SHAFT	1					
071		922311-2	HEX. SOCKET HEAD BOLT M6X12	2					
072		253011-6	FLAT WASHER 6	2					
073		346042-3	ROLLER HOLDER L	1					
074		922311-2	HEX. SOCKET HEAD BOLT M6X12	2					
075		922311-2	HEX. SOCKET HEAD BOLT M6X12	1					
076		346043-1	ROLLER HOLDER R	1					
077		346044-9	BASE HOLDER	1					
078		265844-7	HEX. SOCKET HEAD BOLT M6X20	3			85362		
078-1		265498-0	HEX. SOCKET HEAD BOLT M6X20	3	O	85362			
079		922311-2	HEX. SOCKET HEAD BOLT M6X12	2					
080		341840-0	BASE	1					
081		253828-7	FLAT WASHER 10	1		86782			
A01		122853-8	DUST BAG ASS'Y	1					
A02		410047-0	WRENCH HOLDER 5.6	1					
A03		782426-5	LOCK NUT WRENCH 35	1					
A04		783203-8	HEX. WRENCH 5	1					
A05		140073-2	STEEL CARRYING CASE COMPLETE	1					
	C10	819351-8	MAKITA LOGO LABEL	1					
A06		194921-7	BRUSH SET	1			97089		
A07		B-12289	OFFSET DIAMOND WHEEL 125	1					
A:PC5001C(H)							Interchange O : Yes X : No < : the new part can be substituted for the current. > : the current part can be substituted for the new. S : interchangeable as a set.		