



TH	THAILAND
----	----------

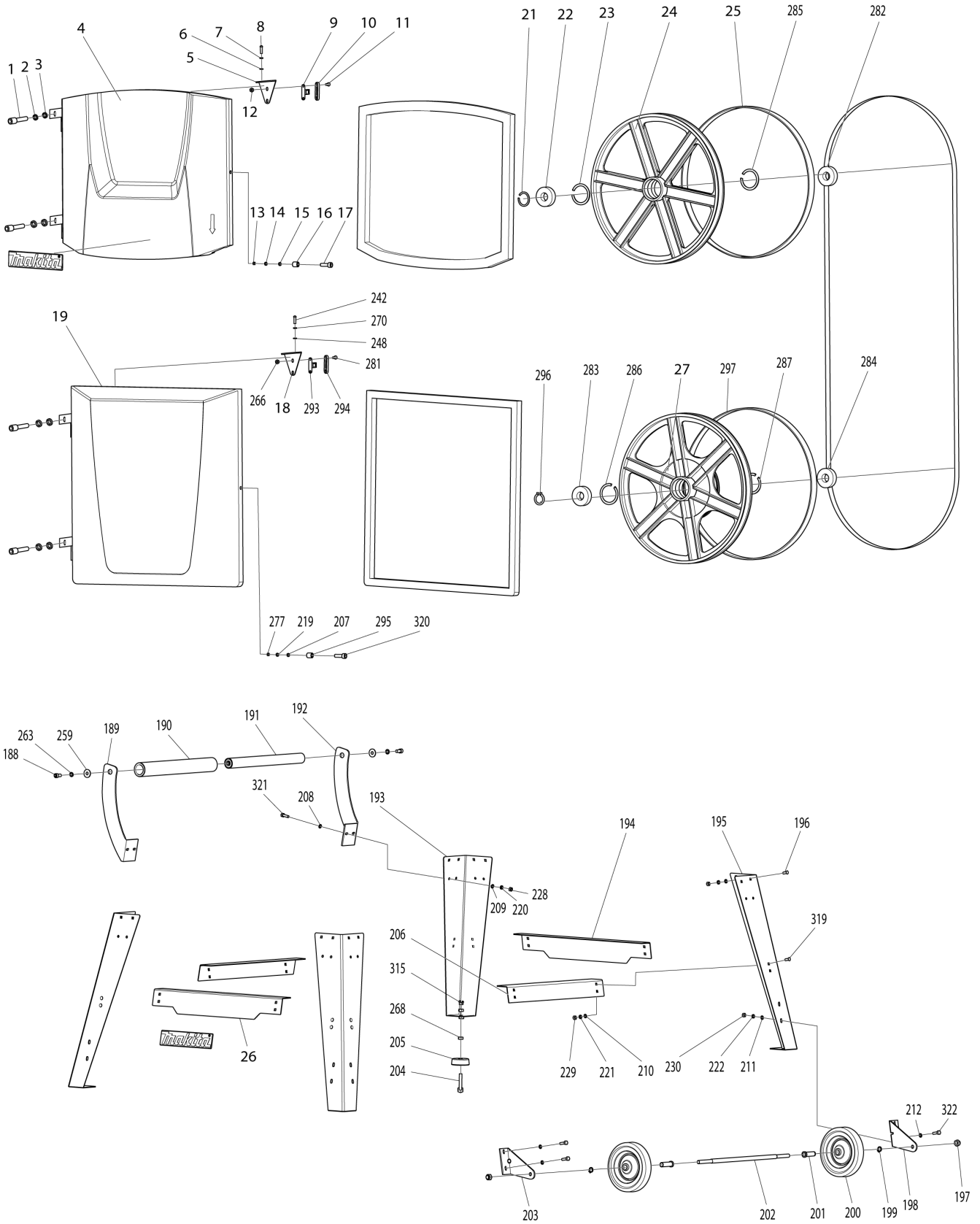
Diagram / Parts List

LB1200F

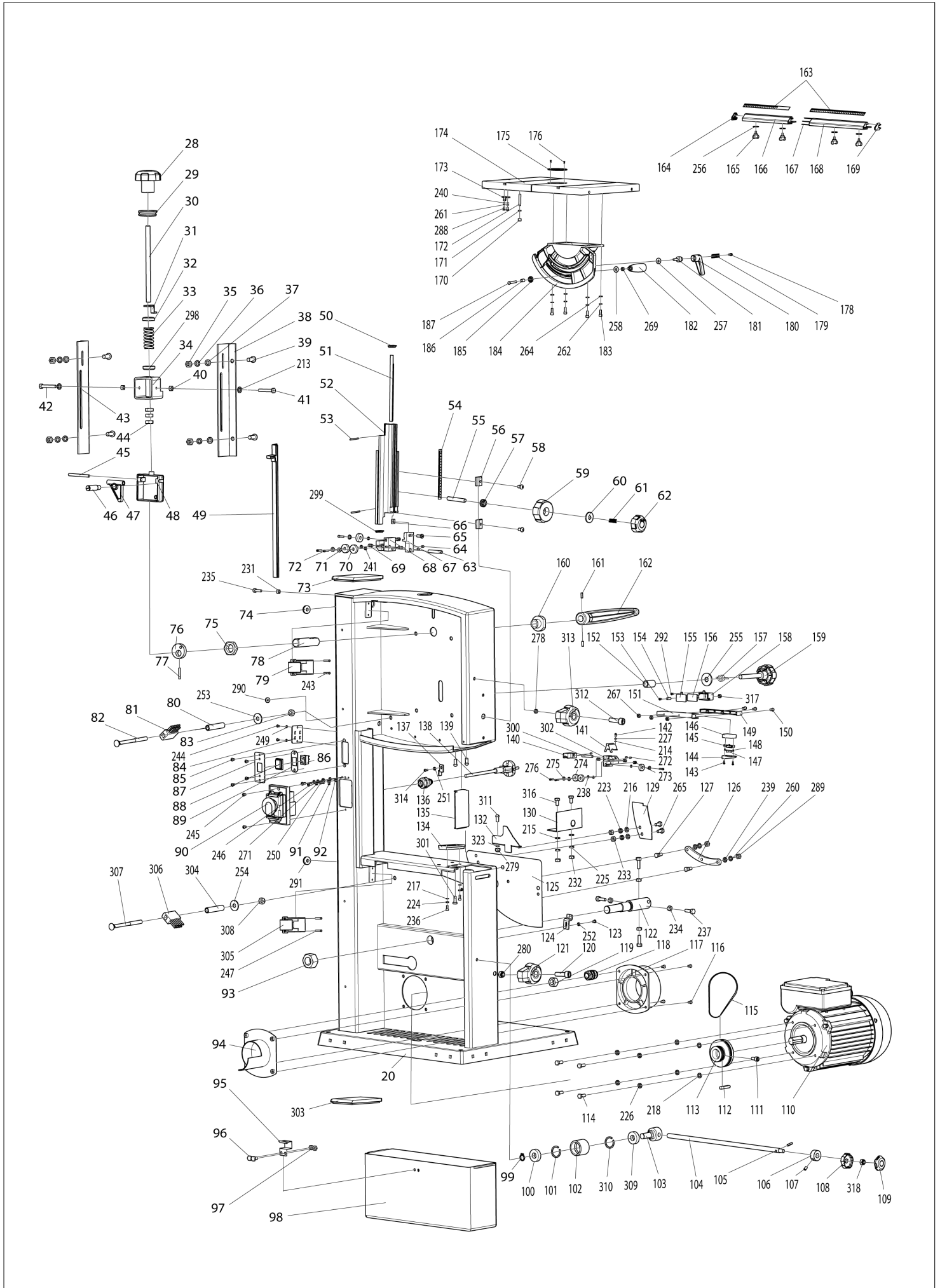
305MM BAND SAW



(TH) LB1200F / 305MM BAND SAW



(TH) LB1200F / 305MM BAND SAW



TH	THAILAND
----	----------

LB1200F / 305MM BAND SAW

Item	Sub	Parts No.	Parts Description	Qty	I/C	E/C No.	Close No.	Remark
001		JM21000018	HEX.SOCKET HEAD BOLT M5X12	4			Y08492	
001-1		JM21000018	HEX.SOCKET HEAD BOLT M5X12	2	O	Y08492		
002		JM21000019	SPRING WASHER 5	4			Y08492	
002-1		JM21000019	SPRING WASHER 5	2	O	Y08492		
003		JM21000020	FLAT WASHER 5	4			Y08492	
003-1		JM21000020	FLAT WASHER 5	2	O	Y08492		
004		JM21000021	UPPER WHEEL COVER COMPLETE	1			Y08492	
	C10	JM21000022	UP COVER	1			Y05840	
	C20	JM21000023	SPONGE	1			Y08492	
	C30	JM21000024	MAKITA LOGO LABEL	1			Y08492	
004-1		JM21000021	UPPER WHEEL COVER COMPLETE	1	O	Y08492		
	D10		INC. 343			Y08492		
005		JM21000025	UPPER STRIKER BASE PLATE	1			Y08492	
005-1		JM21000025	UPPER STRIKER BASE PLATE	1	O	Y08492		
006		JM21000026	FLAT WASHER 4	2				
007		JM21000027	SPRING WASHER 4	2				
008		JM21000028	PAN HEAD SCREW M4X10	2			Y08492	
008-1		JM21000028	PAN HEAD SCREW M4X10	2	O	Y08492		
009		JM21000029	DOOR STRIKER	1			Y08492	
009-1		JM21000029	DOOR STRIKER	1	O	Y08492		
010		JM21000030	DOOR STRIKER FIX PLATE	1			Y08492	
010-1		JM21000030	DOOR STRIKER FIX PLATE	1	O	Y08492		
011		JM21000031	CROSS HEAD SUNK SCREW M4X12	2			Y08492	
011-1		JM00000281	FLAT HEAD SCREW M4X10	2	X	Y08492		
012		JM21000032	HEX NUT M4	2				
013		JM21000033	HEX LOCK NUT M6	1			Y08492	
013-1		JM21000033	HEX LOCK NUT M6	1	O	Y08492		
014		JM21000034	SPRING WASHER 6	1			Y08492	
015		JM21000035	FLAT WASHER 6	1				
016		JM21000036	SLEEVE 10X6X11	1			Y08492	
016-1		JM21000036	SLEEVE 10X6X11	1	O	Y08492		
017		JM21000037	HEX SOCKET HEAD BOLT M6X20	1			Y08492	
017-1		JM21000037	HEX SOCKET HEAD BOLT M6X20	1	O	Y08492		
018		JM21000038	STRIKER BASE PLATE LOWER	1			Y08492	
018-1		JM21000038	STRIKER BASE PLATE LOWER	1	O	Y08492		
019		JM21000039	LOWER WHEEL COVER	1			Y08492	
	C10	JM21000040	LOW COVER	1			Y05840	
	C20	JM21000023	SPONGE	1			Y08492	
	C30	JM21080006	BAND SPEED TABLE LABEL	1			Y08492	
019-1		JM21000039	LOWER WHEEL COVER	1	O	Y08492		
020		JM21000041	MACHINE BODY COMPLETE	1			Y08492	
	C10	JM21000042	MACHINE BODY COMPLETE	1			Y05840	
	C20	JM21080001	BAND TENSION LEVER LABEL	1			Y08492	
	C30	JM21080002	BAND TENSION ADJUST LABEL	1			Y08492	
	C40	JM21080003	BAND WHEEL CAMBER ADJUST LABEL	1			Y08492	
	C50	JM21080004	BELT ADJUST OPERATION LABEL	1			Y08492	
	C60	JM21080005	TABLE ANGLE ADJUST LABEL	1			Y08492	
	C70	JM21080007	GUIDE HEIGHT ADJUST LABEL	1			Y08492	
	C80	JM21080032	NAMEPLATE,AFTER SALES SERVICE	1			Y08492	
020-1		JM21000042	MACHINE BODY COMPLETE	1	>	Y08492		
021		JM21000043	RETAINING RING S-17	1			Y08492	
021-1		JM21000043	RETAINING RING S-17	1	O	Y08492		
022		JM21000044	BALL BEARING 6203	1				
023		JM21000045	RETAINING RING R-40	1			Y08492	
023-1		JM21000045	RETAINING RING R-40	1	O	Y08492		
024		JM21000046	UPPER BAND SAW WHEEL	1				
025		JM21000047	BAND SAW TIRE	1				
026		JM21000048	BEAM A COMPLETE	2			Y08492	
	C10	JM21000049	BEAM A	1			Y05840	
	C20	JM21000024	MAKITA LOGO LABEL	1			Y08492	
026-1		JM21000048	BEAM A COMPLETE	1	O	Y08492		
	D10		INC. 385			Y08492		
027		JM21000050	LOWER BAND SAW WHEEL	1				
028		JM21000051	TENSION KNOB	1				
029		JM21000052	SEALING RING	1				

A:

Interchange
O : Yes
X : No
< : the new part can be substituted for the current.
> : the current part can be substituted for the new.
S : Interchangeable as a set.

TH	THAILAND
----	----------

LB1200F / 305MM BAND SAW

Item	Sub	Parts No.	Parts Description	Qty	I/C	E/C No.	Close No.	Remark
030		JM21000053	TENSION THREAD ROD	1				
031		JM21000054	TENSION POINTER	1				
032		JM21000055	SPRING BASE	1				
033		JM21000056	COMPRESSION SPRING	1			Y08492	
033-1		JM21000056	COMPRESSION SPRING	1	O	Y08492		
034		JM21000057	FIX BRACKET	1				
035		JM21000058	HEX NUT M8	4				
036		JM21000059	SPRING WASHER 8	4				
037		JM21000060	FLAT WASHER 8	4				
038		JM21000061	FIX SIDE PLATE A	1				
039		JM21000062	H SOCKET PAN HEAD BOLT M8X16	4			Y08492	
039-1		JM21000062	H SOCKET PAN HEAD BOLT M8X16	4	O	Y08492		
040		JM21000063	HEX NUT M6	2			Y08492	
040-1		JM21000063	HEX NUT M6	1	O	Y08492		
041		JM21000064	HEX BOLT M6X35	1				
042		JM21000065	HEX BOLT M6X25	1				
043		JM21000066	FIX SIDE PLATE B	1				
044		JM21000067	THIN HEX NUT M10	3			Y08492	
044-1		JM21000067	THIN HEX NUT M10	1	O	Y08492		
045		JM21000068	COLUMN PIN D	1				
046		JM21000069	UPPER BAND SAW WHEEL AXLE	1				
047		JM21000070	UPPER WHEEL AXLE BRACKET	1				
048		JM21000071	UPPER WHEEL AXLE BRACKET CASE	1			Y08492	
048-1		JM21000071	UPPER WHEEL AXLE BRACKET CASE	1	O	Y08492		
049		JM21000072	GROOVE COVER	1			Y08492	
049-1		JM21000072	GROOVE COVER	1	O	Y08492		
050		JM21000073	BLADE GUIDE SLIDER END COVER	1				
051		JM21000074	RACK	1			Y06791	
051-1		JM21000237	RACK	1	S	Y06791		
052		JM21000075	LIFTING BRACKET	1			Y06791	
052-1		JM21000238	LIFTING BRACKET	1	S	Y06791	Y08492	
052-2		JM21010002	LIFTING BRACKET ASSEMBLY	1	X	Y08492		
	D10		INC. 54,327			Y08492		
053		JM21000076	ELASTIC PIN 4	2			Y06791	
054		JM21000077	BLADE GUIDE HEIGHT SCALE LABEL	1				
055		JM21000078	BLADE GUIDE LIFTING GEAR AXLE	1			Y08492	
055-1		JM21000078	BLADE GUIDE LIFTING GEAR AXLE	1	O	Y08492		
056		JM21000079	SLIDER BLOCK	2				
057		JM21000080	SPUR GEAR 15	1			Y08492	
057-1		JM21000080	SPUR GEAR 15	1	O	Y08492		
058		JM21000081	H SOCKET PAN HEAD SCREW M6X12	2			Y08492	
058-1		JM21000081	H SOCKET PAN HEAD SCREW M6X12	2	O	Y08492		
059		JM21000082	LIFTING KNOB	1			Y06791	
059-1		JM21000239	BLADE GUIDE HEIGHT ADJUST KNOB	1	<	Y06791		
060		JM21000083	FLAT WASHER 8L	1			Y08492	
060-1		JM21000083	FLAT WASHER 8L	1	O	Y08492		
061		JM21000084	SPRING	1				
062		JM21000085	KNOB NUT M8	1			Y08492	
062-1		JM21000085	KNOB NUT M8	1	O	Y08492		
063		JM21000086	COLUMN PIN 10X62	1			Y08492	
063-1		JM21000086	COLUMN PIN 10X62	1	O	Y08492		
064		JM21000087	HEX SOCKET SET SCREW M6X8	3			Y08492	
064-1		JM21000087	HEX SOCKET SET SCREW M6X8	1	O	Y08492		
065		JM21000088	HEX SOCKET HEAD BOLT M8X25	1			Y08492	
065-1		JM21000088	HEX SOCKET HEAD BOLT M8X25	1	O	Y08492		
066		JM21000089	SQUARE NUT M8	1			Y08492	
066-1		JM21000089	SQUARE NUT M8	1	O	Y08492		
067		JM21000090	FIX BRACKET B	1			Y07699	
067-1		JM00000001	FIX BRACKET B	1	O	Y07699		
068		JM21000091	BLADE GUIDE BLOCK	1			Y08492	
068-1		JM21000091	BLADE GUIDE BLOCK	1	O	Y08492		
069		JM21000092	COLUMN PIN 10X15	3			Y08492	
069-1		JM21000092	COLUMN PIN 10X15	2	O	Y08492		
070		JM21000093	BALL BEARING 6200	3			Y08492	
070-1		JM21000093	BALL BEARING 6200	2	O	Y08492		

A:

Interchange
O : Yes
X : No
< : the new part can be substituted for the current.
> : the current part can be substituted for the new.
S : Interchangeable as a set.

TH	THAILAND
----	----------

LB1200F / 305MM BAND SAW

Item	Sub	Parts No.	Parts Description	Qty	I/C	E/C No.	Close No.	Remark
071		JM21000094	FLANGED SLEEVE 15-10X5X7	3			Y08492	
071-1		JM21000094	FLANGED SLEEVE 15-10X5X7	2	O	Y08492		
072		JM21000095	HEX SOCKET HEAD BOLT M5X20	3			Y08492	
072-1		JM21000095	HEX SOCKET HEAD BOLT M5X20	2	O	Y08492		
073		JM21000096	COVER	1				
074		JM21000097	GROMMET	1			Y08492	
074-1		JM21000097	GROMMET	1	O	Y08492		
075		JM21000098	HEX THIN NUT M20	1				
076		JM21000099	ECCENTRIC WHEEL 32	1				
077		JM21000100	SPRING PIN 4X30	1			Y08492	
077-1		JM21000100	SPRING PIN 4X30	1	O	Y08492		
078		JM21000101	SHAFT FOR ECCENTRIC WHEEL	1				
079		JM21000102	DOOR STRIKER CATCHER SWITCH	1			Y08492	
079-1		JM21000102	DOOR STRIKER CATCHER SWITCH	1	O	Y08492		
080		JM21000103	SLEEVE 12X8X52.5	1			Y08492	
080-1		JM21000103	SLEEVE 12X8X52.5	1	O	Y08492		
081		JM21000104	BRUSH	1				
082		JM21000105	SQUARE NECK BOLT M8X93	1			Y08492	
082-1		JM21000105	SQUARE NECK BOLT M8X93	1	O	Y08492		
083		JM21000106	HEX LOCK NUT M8	1			Y08492	
083-1		JM21000106	HEX LOCK NUT M8	1	O	Y08492		
084		JM21000107	ACCESSORY STORAGE PLATE	1				
085		JM21000108	PAN HEAD SCREW M4X10	4			Y08492	
085-1		JM21000108	PAN HEAD SCREW M4X10	2	O	Y08492		
086		JM21000109	HY17 SWITCH	1				
087		JM21000110	LED SWITCH FIX PLATE	1				
088		JM21000111	HY17 SWITCH SHIELD	1				
089		JM21000112	SWITCH MOUNTING PLATE	1				
090		JM21000004	SWITCH	1			Y08492	
091		JM21000221	EARTHING TERMINAL 4	2			Y08492	
092		JM21000113	EXTERNAL TOOTH LOCK WASHER 4	2			Y08492	
093		JM21000114	HEX NUT M20	1				
094		JM21000115	SMALL DUST COLLECTOR	1			Y08492	
094-1		JM21000115	SMALL DUST COLLECTOR	1	O	Y08492		
095		JM21000116	PLATE SPRING	1				
096		JM21000117	HEX BOLT M5X12	2				
097		JM21000118	HEX LOCK NUT M5	2			Y08492	
097-1		JM21000118	HEX LOCK NUT M5	2	O	Y08492		
098		JM21000119	DUST BOX	1				
099		JM21000120	RETAINING RING S-12	1			Y08492	
099-1		JM21000120	RETAINING RING S-12	1	O	Y08492		
100		JM21000121	BALL BEARING 6001	1				
101		JM21000122	RETAINING RING R-28	1			Y08492	
101-1		JM21000122	RETAINING RING R-28	1	O	Y08492		
102		JM21000123	BELT TENSIONER WHEEL	1				
103		JM21000124	BELT TENSIONER WHEEL AXLE	1				
104		JM21000125	THREAD ROD M10 M8 L=365MM	1			Y08492	
104-1		JM21000125	THREAD ROD M10 M8 L=365MM	1	O	Y08492		
105		JM21000126	SPRING PIN 4X16	1			Y08492	
105-1		JM21000126	SPRING PIN 4X16	1	O	Y08492		
106		JM21000127	LIMIT CIRCLE	1				
107		JM21000128	HEX.SOCKET SET SCREWS M5X8	1				
108		JM21000129	BELT TENSIONER ADJUSTING KNOB	1				
109		JM21000130	TENSIONER ADJUSTING KNOB CAP	1				
110		JM21000001	MOTOR	1			Y07471	
	C10	JM21000228	TERMINAL BOX	1		Y06456	Y07471	
	C20	JM21000244	CAPACITOR HIGH VOLT	1		Y07466	Y07471	
110-1		JM21000245	MOTOR ASSY 220-240V 50HZ	1	<	Y07471	Y08492	
	C10	JM21000228	TERMINAL BOX	1		Y07471	Y08492	
	C20	JM21000248	CAPACITOR 22 MICRO F	1	<	Y07471	Y08492	
110-2		JM21000245	MOTOR ASSY 220-240V 50HZ	1	O	Y08492	Y08686	
110-3		JM00000390	MOTOR ASSY 220-240V 50HZ	1	O	Y08686		
111		JM21000131	HEX SOCKET HEAD BOLT M6X12	1			Y08492	
111-1		JM21000131	HEX SOCKET HEAD BOLT M6X12	1	O	Y08492		
112		JM21000132	KEY 5X5X28	1			Y08492	

A:

Interchange
O : Yes
X : No
< : the new part can be substituted for the current.
> : the current part can be substituted for the new.
S : Interchangeable as a set.

TH	THAILAND
----	----------

LB1200F / 305MM BAND SAW

Item	Sub	Parts No.	Parts Description	Qty	I/C	E/C No.	Close No.	Remark
112-1		JM21000132	KEY 5X5X28	1	O	Y08492		
113		JM21000133	MOTOR PULLEY	1				
114		JM21000134	HEX BOLT M6X12	4				
115		JM21000135	RIBBED BELT 4PJ612	1			Y08492	
115-1		JM21000135	RIBBED BELT 4PJ612	1	O	Y08492		
116		JM21000136	TAPPING SCREW ST4.2X14	4				
117		JM21000137	OUTSIDE DUST CONNECTOR PORT	1				
118		JM21000138	CORD CLAMP PAW	1				
119		JM21000139	CORD CLAMP NUT M16	1			Y08492	
119-1		JM21000139	CORD CLAMP NUT M16	1	O	Y08492		
120		JM21000140	H.S. HEAD SCREW M6X25	1			Y06831	
120-1		JM21000234	HEX SOCKET HEAD BOLT M6X35	1	S	Y06831	Y06900	
120-2		JM21000140	H.S. HEAD SCREW M6X25	1	X	Y06900	Y08492	
120-3		JM00000347	HEX SOCKET HEAD BOLT M6X20	1	X	Y08492		
121		JM21000141	DOOR LATCH KNOB	1			Y06831	
121-1		JM21000231	DOOR LATCH KNOB	1	S	Y06831	Y06900	
121-2		JM21000141	DOOR LATCH KNOB	1	X	Y06900	Y08492	
121-3		JM21000141	DOOR LATCH KNOB	1	O	Y08492		
122		JM21000142	DRIVING WHEEL SHAFT	1				
123		JM21000143	PAN HEAD SCREW M4X8	1			Y08492	
123-1		JM21000143	PAN HEAD SCREW M4X8	1	O	Y08492		
124		JM21000144	MITER POINTER	1				
125		JM21000145	SPACER PLATE	1				
126		JM21000146	SLIDER	1				
127		JM21000147	HEX SOCKET STEPPED BOLT M5X7	2			Y08492	
127-1		JM21000147	HEX SOCKET STEPPED BOLT M5X7	2	O	Y08492		
129		JM21000148	DUST PROTECTOR PLATE	1				
130		JM21000149	PROTECTOR PLATE	1				
132		JM21000150	LOW COVER B	1				
134		JM21000151	GUIDE BLOCK MOUNT FIX PLATE	1				
135		JM21000152	PROTECTOR PLATE A	1				
136		JM21000153	STRAIN & RELIEF,HV	1			Y08492	
136-1		JM21000153	STRAIN & RELIEF,HV	1	O	Y08492		
137		JM21000154	BLADE GUIDE HEIGHT PONTER	1				
138		JM21000006	POWER SUPPLY CORD IR 3P	1			Y08492	
138-1		JM00000004	POWER SUPPLY CORD 3P	1	X	Y08492		
139		JM21000155	TAPPING SCREW ST4.2X8	2			Y08492	
139-1		JM00000336	TAPPING SCREW ST4.2X8	2	X	Y08492		
140		JM21000156	BLADE GUIDE BLOCK MOUNT	1				
141		JM21000157	BAND GUIDE GUARD REAR	1			Y08492	
141-1		JM21000157	BAND GUIDE GUARD REAR	1	O	Y08492		
142		JM21000158	CROSS HEAD SUNK SCREW M6X10	1			Y08492	
142-1		JM27000042	PAN HEAD SCREW M5X10	1	X	Y08492		
143		JM21000159	TAPPING SCREW ST3.2X8	2			Y08492	
143-1		JM00000335	TAPPING SCREW ST2.2X11.5	2	X	Y08492		
144		JM21000160	LOWER LAMP COVER	1				
145		JM21000161	LAMP REFLECTOR	1				
146		JM21000162	UPPER LAMP COVER	1			Y06611	
146-1		JM21000229	LED LAMP ASSEMBLY,HV	1	X	Y06611	Y08492	
146-2		JM21000162	UPPER LAMP COVER	1	X	Y08492		
147		JM21000163	LED LAMP LENS	1				
148		JM21000164	SELF TAPPING SCREW ST2.2X8	2			Y08492	
148-1		JM00000334	TAPPING SCREW ST2.9X9.5	2	X	Y08492		
149		JM21000165	LED LAMP CORD PROTECTOR REAR	1			Y08492	
149-1		JM21000165	LED LAMP CORD PROTECTOR REAR	1	O	Y08492		
150		JM21000166	HEX SOCKET PAN HEAD BOLT M4X20	3				
151		JM21000167	LED LAMP CORD PROTECTOR FRONT	1			Y08492	
151-1		JM21000167	LED LAMP CORD PROTECTOR FRONT	1	O	Y08492		
152		JM21000168	SLEEVE 12.5X9X21.5	1			Y08492	
152-1		JM21000168	SLEEVE 12.5X9X21.5	1	O	Y08492		
153		JM21000169	H.S.HEAD SCREW M4X32	1			Y08492	
153-1		JM21000169	H.S.HEAD SCREW M4X32	1	O	Y08492		
154		JM21000170	SLEEVE 8X4X21	1			Y08492	
154-1		JM21000170	SLEEVE 8X4X21	1	O	Y08492		
155		JM21000171	TRANSFORMER CASE	1			Y08492	

A:

Interchange
O : Yes
X : No
< : the new part can be substituted for the current.
> : the current part can be substituted for the new.
S : Interchangeable as a set.

TH	THAILAND
----	----------

LB1200F / 305MM BAND SAW

Item	Sub	Parts No.	Parts Description	Qty	I/C	E/C No.	Close No.	Remark
155-1		JM21000174	TRNASFORMER CASE LID	1	X	Y08492		
156		JM21000172	TRANSFORMER FOR LED LAMP(HV)	1			Y06611	
156-1		JM21000172	TRANSFORMER FOR LED LAMP(HV)	1		Y08492		
157		JM21000173	WING NUT M8	1				
158		JM21000174	TRNASFORMER CASE LID	1			Y08492	
158-1		JM21000171	TRANSFORMER CASE	1	X	Y08492		
159		JM21000175	KNOB BOLT M8X60	1			Y08492	
159-1		JM21000175	KNOB BOLT M8X60	1	O	Y08492		
160		JM21000176	BAND TENSION LEVER SUPPORT	1				
161		JM21000177	H.S. SET SCREWS M6X10	2			Y08492	
161-1		JM00000287	HEX SOCKET SET SCREW M6X8	2	X	Y08492		
162		JM21000178	BAND TENSION LEVER	1				
163		JM21000179	TABLE FRONT RAIL LABEL SET	1			Y08492	
163-1		JM21000179	TABLE FRONT RAIL LABEL SET	1	O	Y08492		
	D10		INC. 498			Y08492		
164		JM21000180	TABLE FRONT RAIL END CAP LEFT	1				
165		JM21000181	WING BOLT M6X12	4			Y08492	
165-1		JM21000181	WING BOLT M6X12	4	O	Y08492		
166		JM21000182	FRONT RAIL A	1			Y08492	
166-1		JM00000344	FRONT RAIL LEFT	1	X	Y08492		
	D10		INC. 163			Y08492		
167		JM21000183	CONNECTION PIN	3				
168		JM21000184	FRONT RAIL B	1			Y08492	
168-1		JM00000345	FRONT RAIL RIGHT	1	X	Y08492		
	D10		INC. 498			Y08492		
169		JM21000185	TABLE FRONT RAIL END CAP RIGHT	1				
170		JM21000186	RUBBER FOOT 8	1				
171		JM21000187	RUBBER SLEEVE 7.5X11X13	1				
172		JM21000188	HEX SOCKET THREAD ROD M8X50	1			Y08492	
172-1		JM21000188	HEX SOCKET THREAD ROD M8X50	1	O	Y08492		
173		JM21000189	STOPPER PLATE	1				
174		JM21000190	WORKING TABLE	1				
175		JM21000191	TABLE INSERT	1				
176		JM21000192	FLAT HEAD SCREW M3X6	2			Y08492	
176-1		JM21000192	FLAT HEAD SCREW M3X6	2	O	Y08492		
178		JM21000193	HEX.SOCKET HEAD BOLT M6X30	1			Y08492	
178-1		JM21000193	HEX.SOCKET HEAD BOLT M6X30	1	O	Y08492		
179		JM21000194	COMPRESSURE SPRING	1				
180		JM21000195	TABLE FIXING LEVER	1				
181		JM21000196	SPECIAL HEX BOLT M8X40	1			Y08492	
181-1		JM21000196	SPECIAL HEX BOLT M8X40	1	O	Y08492		
182		JM21000197	GRIP NUT M8	1			Y08492	
182-1		JM21000197	GRIP NUT M8	1	O	Y08492		
183		JM21000198	HEX SOCKET BOLT M8X20	4			Y08492	
183-1		JM21000198	HEX SOCKET BOLT M8X20	4	O	Y08492		
184		JM21000199	WORKING TABLE TURNION	1			Y08312	
184-1		JM00000270	WORKING TABLE COMPLETE	1	<	Y08312		
	D10		INC. 381			Y08492		
185		JM21000200	SPUR GEAR 10	1			Y08492	
185-1		JM21000200	SPUR GEAR 10	1	O	Y08492		
186		JM21000201	SLEEVE 12X8X6	1			Y08492	
186-1		JM21000201	SLEEVE 12X8X6	1	O	Y08492		
187		JM21000202	SPECIAL BOLT M8X48	1			Y08492	
187-1		JM21000202	SPECIAL BOLT M8X48	1	O	Y08492		
188		JM21000203	H.S.BOLT M8	2			Y08492	
188-1		JM00000368	HEX SOCKET HEAD BOLT M8X20	2	X	Y08492		
189		JM21000204	HANDLE SUPPORT LEFT	1			Y08492	
189-1		JM21000204	HANDLE SUPPORT LEFT	1	O	Y08492		
190		JM21000205	HOSE	1				
191		JM21000206	STEEL PIPE ASSEMBLY	1				
192		JM21000207	HANDLE SUPPORT RIGHT	1			Y08492	
192-1		JM21000207	HANDLE SUPPORT RIGHT	1	O	Y08492		
193		JM21000208	LEG A	1				
194		JM21000049	BEAM A	2			Y08492	
194-1		JM21000049	BEAM A	1	O	Y08492		

A:

Interchange
O : Yes
X : No
< : the new part can be substituted for the current.
> : the current part can be substituted for the new.
S : Interchangeable as a set.

TH	THAILAND
----	----------

LB1200F / 305MM BAND SAW

Item	Sub	Parts No.	Parts Description	Qty	I/C	E/C No.	Close No.	Remark
195		JM21000209	LEG B	3			Y08492	
195-1		JM21000209	LEG B	1	O	Y08492		
196		JM21000210	SQUARE NECK BOLT M6X16	16			Y08492	
196-1		JM21000210	SQUARE NECK BOLT M6X16	8	O	Y08492		
197		JM21000211	HEX LOCK NUT M10	2			Y08492	
197-1		JM21000211	HEX LOCK NUT M10	2	O	Y08492		
198		JM21000212	WHEEL SUPPORT LEFT	1				
199		JM21000213	RETAINING RING S-13	2			Y08492	
199-1		JM21000213	RETAINING RING S-13	2	O	Y08492		
200		JM21000214	WHEEL	2				
201		JM21000215	WHEEL SHAFT BUSH	2				
202		JM21000216	WHEEL SHAFT	1				
203		JM21000217	WHEEL SUPPORT RIGHT	1				
204		JM21000218	HEX BOLT M8X50	1				
205		JM21000219	LEG PAD	1				
206		JM21000220	BEAM B	2			Y08492	
206-1		JM21000220	BEAM B	1	O	Y08492		
207		JM21000035	FLAT WASHER 6	1				
208		JM21000035	FLAT WASHER 6	2			Y08492	
208-1		JM21000035	FLAT WASHER 6	4	O	Y08492		
209		JM21000035	FLAT WASHER 6	4				
210		JM21000035	FLAT WASHER 6	32			Y08492	
210-1		JM21000035	FLAT WASHER 6	8	O	Y08492		
211		JM21000035	FLAT WASHER 6	4				
212		JM21000035	FLAT WASHER 6	4				
213		JM21000035	FLAT WASHER 6	2			Y08492	
213-1		JM00000327	FLAT WASHER 6 (L)	1	X	Y08492		
214		JM21000035	FLAT WASHER 6	1			Y08492	
214-1		JM21000020	FLAT WASHER 5	1	X	Y08492		
215		JM21000035	FLAT WASHER 6	2				
216		JM21000035	FLAT WASHER 6	2				
217		JM21000035	FLAT WASHER 6	2			Y08492	
217-1		JM21000020	FLAT WASHER 5	2	X	Y08492		
218		JM21000035	FLAT WASHER 6	4				
219		JM21000034	SPRING WASHER 6	1			Y08492	
220		JM21000034	SPRING WASHER 6	4				
221		JM21000034	SPRING WASHER 6	32			Y08492	
221-1		JM21000034	SPRING WASHER 6	8	O	Y08492		
222		JM21000034	SPRING WASHER 6	4				
223		JM21000034	SPRING WASHER 6	2				
224		JM21000034	SPRING WASHER 6	2			Y08492	
224-1		JM21000019	SPRING WASHER 5	2	X	Y08492		
225		JM21000034	SPRING WASHER 6	4			Y08492	
225-1		JM21000034	SPRING WASHER 6	2	O	Y08492		
226		JM21000034	SPRING WASHER 6	4				
227		JM21000034	SPRING WASHER 6	1			Y08492	
227-1		JM21000019	SPRING WASHER 5	1	X	Y08492		
228		JM21000063	HEX NUT M6	4				
229		JM21000063	HEX NUT M6	32			Y08492	
229-1		JM21000063	HEX NUT M6	8	O	Y08492		
230		JM21000063	HEX NUT M6	4				
231		JM21000063	HEX NUT M6	1				
232		JM21000063	HEX NUT M6	2				
233		JM21000063	HEX NUT M6	2				
234		JM21000063	HEX NUT M6	4			Y08492	
234-1		JM21000063	HEX NUT M6	2	O	Y08492		
235		JM21000037	HEX SOCKET HEAD BOLT M6X20	1			Y08492	
235-1		JM21000037	HEX SOCKET HEAD BOLT M6X20	1	O	Y08492		
236		JM21000037	HEX SOCKET HEAD BOLT M6X20	2			Y08492	
236-1		JM00000338	HEX SOCKET HEAD BOLT M5X10	2	X	Y08492		
237		JM21000037	HEX SOCKET HEAD BOLT M6X20	4			Y08492	
237-1		JM21000037	HEX SOCKET HEAD BOLT M6X20	2	O	Y08492		
238		JM21000020	FLAT WASHER 5	3			Y08492	
238-1		JM21000020	FLAT WASHER 5	2	O	Y08492		
239		JM21000020	FLAT WASHER 5	2			Y08492	

A:

Interchange
O : Yes
X : No
< : the new part can be substituted for the current.
> : the current part can be substituted for the new.
S : Interchangeable as a set.

TH	THAILAND
----	----------

LB1200F / 305MM BAND SAW

Item	Sub	Parts No.	Parts Description	Qty	I/C	E/C No.	Close No.	Remark
240		JM21000020	FLAT WASHER 5	2				
241		JM21000020	FLAT WASHER 5	3			Y08492	
241-1		JM21000020	FLAT WASHER 5	2	O	Y08492		
242		JM21000028	PAN HEAD SCREW M4X10	2			Y08492	
242-1		JM21000028	PAN HEAD SCREW M4X10	2	O	Y08492		
243		JM21000028	PAN HEAD SCREW M4X10	2			Y08492	
243-1		JM21000028	PAN HEAD SCREW M4X10	2	O	Y08492		
244		JM21000028	PAN HEAD SCREW M4X10	2			Y08492	
244-1		JM21000028	PAN HEAD SCREW M4X10	2	O	Y08492		
245		JM21000028	PAN HEAD SCREW M4X10	2			Y08492	
246		JM21000028	PAN HEAD SCREW M4X10	2			Y08492	
247		JM21000028	PAN HEAD SCREW M4X10	2			Y08492	
247-1		JM21000028	PAN HEAD SCREW M4X10	2	O	Y08492		
248		JM21000026	FLAT WASHER 4	2				
249		JM21000026	FLAT WASHER 4	2				
250		JM21000026	FLAT WASHER 4	2			Y08492	
251		JM21000026	FLAT WASHER 4	1				
252		JM21000026	FLAT WASHER 4	1				
253		JM21000083	FLAT WASHER 8L	1			Y08492	
253-1		JM21000083	FLAT WASHER 8L	1	O	Y08492		
254		JM21000083	FLAT WASHER 8L	1			Y08492	
254-1		JM21000083	FLAT WASHER 8L	1	O	Y08492		
255		JM21000083	FLAT WASHER 8L	1			Y08492	
255-1		JM21000083	FLAT WASHER 8L	1	O	Y08492		
256		JM21000083	FLAT WASHER 8L	1			Y08492	
256-1		JM21000083	FLAT WASHER 8L	4	O	Y08492		
257		JM21000083	FLAT WASHER 8L	1			Y08492	
257-1		JM21000083	FLAT WASHER 8L	1	O	Y08492		
258		JM21000083	FLAT WASHER 8L	1			Y08492	
258-1		JM21000083	FLAT WASHER 8L	1	O	Y08492		
259		JM21000083	FLAT WASHER 8L	2			Y08492	
259-1		JM21000083	FLAT WASHER 8L	2	O	Y08492		
260		JM21000019	SPRING WASHER 5	2				
261		JM21000019	SPRING WASHER 5	2				
262		JM21000059	SPRING WASHER 8	4				
263		JM21000059	SPRING WASHER 8	2				
264		JM21000060	FLAT WASHER 8	4				
265		JM21000134	HEX BOLT M6X12	2			Y08492	
265-1		JM00000288	HEX BOLT M6X14	2	X	Y08492		
266		JM21000032	HEX NUT M4	2				
267		JM21000032	HEX NUT M4	3				
268		JM21000058	HEX NUT M8	2			Y08492	
268-1		JM21000058	HEX NUT M8	1	O	Y08492		
269		JM21000058	HEX NUT M8	1				
270		JM21000027	SPRING WASHER 4	2				
271		JM21000027	SPRING WASHER 4	2			Y08492	
272		JM21000087	HEX SOCKET SET SCREW M6X8	3			Y08492	
272-1		JM21000087	HEX SOCKET SET SCREW M6X8	1	O	Y08492		
273		JM21000092	COLUMN PIN 10X15	3			Y08492	
273-1		JM21000092	COLUMN PIN 10X15	1	O	Y08492		
274		JM21000093	BALL BEARING 6200	3			Y08492	
274-1		JM21000093	BALL BEARING 6200	2	O	Y08492		
275		JM21000094	FLANGED SLEEVE 15-10X5X7	3			Y08492	
275-1		JM21000094	FLANGED SLEEVE 15-10X5X7	2	O	Y08492		
276		JM21000095	HEX SOCKET HEAD BOLT M5X20	3			Y08492	
276-1		JM21000095	HEX SOCKET HEAD BOLT M5X20	2	O	Y08492		
277		JM21000033	HEX LOCK NUT M6	1			Y08492	
277-1		JM21000033	HEX LOCK NUT M6	1	O	Y08492		
278		JM21000033	HEX LOCK NUT M6	1			Y06831	
278-1		JM21000033	HEX LOCK NUT M6	2	S	Y06831	Y06900	
278-2		JM21000033	HEX LOCK NUT M6	1	X	Y06900	Y08492	
278-3		JM21000033	HEX LOCK NUT M6	1	O	Y08492		
279		JM21000033	HEX LOCK NUT M6	1			Y08492	
279-1		JM21000033	HEX LOCK NUT M6	1	O	Y08492		
280		JM21000033	HEX LOCK NUT M6	1			Y06831	

A:

Interchange
O : Yes
X : No
< : the new part can be substituted for the current.
> : the current part can be substituted for the new.
S : Interchangeable as a set.

TH	THAILAND
----	----------

LB1200F / 305MM BAND SAW

Item	Sub	Parts No.	Parts Description	Qty	I/C	E/C No.	Close No.	Remark
280-1		JM21000033	HEX LOCK NUT M6	2	S	Y06831	Y06900	
280-2		JM21000033	HEX LOCK NUT M6	1	X	Y06900	Y08492	
280-3		JM21000033	HEX LOCK NUT M6	1	O	Y08492		
281		JM21000031	CROSS HEAD SUNK SCREW M4X12	2			Y08492	
281-1		JM00000281	FLAT HEAD SCREW M4X10	2	X	Y08492		
282		JM21000044	BALL BEARING 6203	1				
283		JM21000044	BALL BEARING 6203	1				
284		JM21000044	BALL BEARING 6203	1				
285		JM21000045	RETAINING RING R-40	1			Y08492	
285-1		JM21000045	RETAINING RING R-40	1	O	Y08492		
286		JM21000045	RETAINING RING R-40	1			Y08492	
286-1		JM21000045	RETAINING RING R-40	1	O	Y08492		
287		JM21000045	RETAINING RING R-40	1			Y08492	
287-1		JM21000045	RETAINING RING R-40	1	O	Y08492		
288		JM21000117	HEX BOLT M5X12	2				
289		JM21000118	HEX LOCK NUT M5	2			Y08492	
289-1		JM21000118	HEX LOCK NUT M5	2	O	Y08492		
290		JM21000097	GROMMET	1			Y08492	
290-1		JM21000097	GROMMET	1	O	Y08492		
291		JM21000097	GROMMET	1			Y08492	
291-1		JM21000097	GROMMET	1	O	Y08492		
292		JM21000159	TAPPING SCREW ST3.2X8	1			Y08492	
292-1		JM00000331	TAPPING SCREW PT3.9X9.5	1	X	Y08492		
293		JM21000029	DOOR STRIKER	1			Y08492	
293-1		JM21000029	DOOR STRIKER	1	O	Y08492		
294		JM21000030	DOOR STRIKER FIX PLATE	1			Y08492	
294-1		JM21000030	DOOR STRIKER FIX PLATE	1	O	Y08492		
295		JM21000036	SLEEVE 10X6X11	1			Y08492	
295-1		JM21000036	SLEEVE 10X6X11	1	O	Y08492		
296		JM21000043	RETAINING RING S-17	1			Y08492	
296-1		JM21000043	RETAINING RING S-17	1	O	Y08492		
297		JM21000047	BAND SAW TIRE	1				
298		JM21000055	SPRING BASE	1				
299		JM21000073	BLADE GUIDE SLIDER END COVER	1			Y08492	
300		JM21000086	COLUMN PIN 10X62	1			Y08492	
300-1		JM21000086	COLUMN PIN 10X62	1	O	Y08492		
301		JM21000088	HEX SOCKET HEAD BOLT M8X25	1			Y08492	
301-1		JM21000088	HEX SOCKET HEAD BOLT M8X25	1	O	Y08492		
302		JM21000091	BLADE GUIDE BLOCK	1			Y08492	
302-1		JM21000091	BLADE GUIDE BLOCK	1	O	Y08492		
303		JM21000096	COVER	1				
304		JM21000103	SLEEVE 12X8X52.5	1			Y08492	
304-1		JM21000103	SLEEVE 12X8X52.5	1	O	Y08492		
305		JM21000102	DOOR STRIKER CATCHER SWITCH	1			Y08492	
305-1		JM21000102	DOOR STRIKER CATCHER SWITCH	1	O	Y08492		
306		JM21000104	BRUSH	1				
307		JM21000105	SQUARE NECK BOLT M8X93	1			Y08492	
307-1		JM21000105	SQUARE NECK BOLT M8X93	1	O	Y08492		
308		JM21000106	HEX LOCK NUT M8	1			Y08492	
308-1		JM21000106	HEX LOCK NUT M8	1	O	Y08492		
309		JM21000121	BALL BEARING 6001	1				
310		JM21000122	RETAINING RING R-28	1			Y08492	
310-1		JM21000122	RETAINING RING R-28	1	O	Y08492		
311		JM21000131	HEX SOCKET HEAD BOLT M6X12	1			Y08492	
311-1		JM21000131	HEX SOCKET HEAD BOLT M6X12	1	O	Y08492		
312		JM21000140	H.S. HEAD SCREW M6X25	1			Y06831	
312-1		JM21000234	HEX SOCKET HEAD BOLT M6X35	1	S	Y06831	Y06900	
312-2		JM21000140	H.S. HEAD SCREW M6X25	1	X	Y06900	Y08492	
312-3		JM00000347	HEX SOCKET HEAD BOLT M6X20	1	X	Y08492		
313		JM21000141	DOOR LATCH KNOB	1			Y06831	
313-1		JM21000231	DOOR LATCH KNOB	1	S	Y06831	Y06900	
313-2		JM21000141	DOOR LATCH KNOB	1	X	Y06900	Y08492	
313-3		JM21000141	DOOR LATCH KNOB	1	O	Y08492		
314		JM21000143	PAN HEAD SCREW M4X8	1			Y08492	
314-1		JM21000143	PAN HEAD SCREW M4X8	1	O	Y08492		

A:

Interchange
O : Yes
X : No
< : the new part can be substituted for the current.
> : the current part can be substituted for the new.
S : Interchangeable as a set.

TH	THAILAND
----	----------

LB1200F / 305MM BAND SAW

Item	Sub	Parts No.	Parts Description	Qty	I/C	E/C No.	Close No.	Remark
315		JM21000173	WING NUT M8	1				
316		JM21000134	HEX BOLT M6X12	2				
317		JM21000032	HEX NUT M4	1				
318		JM21000106	HEX LOCK NUT M8	1			Y08492	
318-1		JM21000106	HEX LOCK NUT M8	1	O	Y08492		
319		JM21000210	SQUARE NECK BOLT M6X16	16			Y08492	
319-1		JM21000210	SQUARE NECK BOLT M6X16	8	O	Y08492		
320		JM21000037	HEX SOCKET HEAD BOLT M6X20	1			Y08492	
320-1		JM21000037	HEX SOCKET HEAD BOLT M6X20	1	O	Y08492		
321		JM21000037	HEX SOCKET HEAD BOLT M6X20	4			Y08492	
321-1		JM21000037	HEX SOCKET HEAD BOLT M6X20	4	O	Y08492		
322		JM21000037	HEX SOCKET HEAD BOLT M6X20	4			Y08492	
322-1		JM00000342	HEX SOCKET HEAD BOLT M6X16	4	X	Y08492		
323		JM21000035	FLAT WASHER 6	1				
324		JM21000240	HEX SOCKET HEAD BOLT M4X8	2	S	Y06791		
325		JM21000026	FLAT WASHER 4	2	S	Y06791		
326		JM21000027	SPRING WASHER 4	2	S	Y06791		
327		JM21000241	SPONGE TAPE	2	S	Y06791		
328		JM21010003	LIFTING BRACKET ASSEMBLY	1		Y06791	Y08492	
	D10		INC. 51,324,325,326,329			Y06791	Y08492	
329		JM21010002	LIFTING BRACKET ASSEMBLY	1		Y06791	Y08492	
	D10		INC. 52,54,327			Y06791	Y08492	
330		JM21000232	UPPER WHEEL COVER LOCK KNOB	1	S	Y06831	Y06900	
331		JM21000233	COMPRESSION SPRING	1	S	Y06831	Y06900	
332		JM21000235	SPRING PIN 4X20	1	S	Y06831	Y06900	
333		JM21000035	FLAT WASHER 6	1	S	Y06831	Y06900	
334		JM21000236	FLAT WASHER 6 (L)	1	S	Y06831	Y06900	
335		JM21000232	UPPER WHEEL COVER LOCK KNOB	1	S	Y06831	Y06900	
336		JM21000233	COMPRESSION SPRING	1	S	Y06831	Y06900	
337		JM21000235	SPRING PIN 4X20	1	S	Y06831	Y06900	
338		JM21000035	FLAT WASHER 6	1	S	Y06831	Y06900	
339		JM21000236	FLAT WASHER 6 (L)	1	S	Y06831	Y06900	
340		JM00000274	UPPER WHEEL COVER ASSEMBLY	1		Y08492		
	D10		INC.1-13,15-17,341,342,344,345			Y08492		
341		JM00000277	SPONGE E	1		Y08492		
342		JM00000278	SPONGE F	1		Y08492		
343		JM27000113	MAKITA LOGO PLATE	1		Y08492		
344		JM00000276	SPONGE A	1		Y08492		
345		JM00000275	SPONGE B	1		Y08492		
346		JM00000279	LOW WHEEL COVER ASSEMBLY	1		Y08492		
	D10		INC.18,19,207,219,242,248,266,			Y08492		
	D20		270,277,281,293,294,295,320,			Y08492		
	D30		347-354			Y08492		
347		JM21000018	HEX.SOCKET HEAD BOLT M5X12	2		Y08492		
348		JM21000019	SPRING WASHER 5	2		Y08492		
349		JM21000020	FLAT WASHER 5	2		Y08492		
350		JM21080006	BAND SPEED TABLE LABEL	1		Y08492		
351		JM00000277	SPONGE E	1		Y08492		
352		JM00000277	SPONGE E	1		Y08492		
353		JM00000276	SPONGE A	1		Y08492		
354		JM00000280	SPONGE C	1		Y08492		
355		JM21000035	FLAT WASHER 6	1		Y08492		
356		JM21000035	FLAT WASHER 6	1		Y08492		
361		JM21080293	LARGE DUST COLLECTOR	1		Y08492		
362		JM21000035	FLAT WASHER 6	1		Y08492		
363		JM21000035	FLAT WASHER 6	1		Y08492		
368		JM21080001	BAND TENSION LEVER LABEL	1		Y08492		
369		JM21080002	BAND TENSION ADJUST LABEL	1		Y08492		
370		JM21080003	BAND WHEEL CAMBER ADJUST LABEL	1		Y08492		
371		JM21080007	GUIDE HEIGHT ADJUST LABEL	1		Y08492		
372		JM21080032	NAMEPLATE,AFTER SALES SERVICE	1		Y08492		
373		JM21800066	SOUND 97DB LABEL	1		Y08492		
374		JM21080048	MOVING TOOL OPERATION LABEL	1		Y08492		
375		JM21080005	TABLE ANGLE ADJUST LABEL	1		Y08492		
376		JM21080004	BELT ADJUST OPERATION LABEL	1		Y08492		

A:

Interchange
O : Yes
X : No
< : the new part can be substituted for the current.
> : the current part can be substituted for the new.
S : Interchangeable as a set.

TH	THAILAND
----	----------

LB1200F / 305MM BAND SAW

Item	Sub	Parts No.	Parts Description	Qty	I/C	E/C No.	Close No.	Remark
377		JM00000329	CONE PIN 8X26	1		Y08492		
378		JM00000330	HEX BOLT M8X35	1		Y08492		
379		JM21000083	FLAT WASHER 8L	1		Y08492		
380		JM21000106	HEX LOCK NUT M8	1		Y08492		
381		JM00000346	TABLE BEVEL SCALE LABEL	1		Y08492		
382		JM21000020	FLAT WASHER 5	2		Y08492		
383		JM21000209	LEG B	1		Y08492		
384		JM21000209	LEG B	1		Y08492		
385		JM27000113	MAKITA LOGO PLATE	1		Y08492		
386		JM21000220	BEAM B	1		Y08492		
387		JM21000035	FLAT WASHER 6	8		Y08492		
388		JM21000034	SPRING WASHER 6	8		Y08492		
389		JM21000063	HEX NUT M6	8		Y08492		
390		JM21000210	SQUARE NECK BOLT M6X16	8		Y08492		
391		JM21000035	FLAT WASHER 6	8		Y08492		
392		JM21000034	SPRING WASHER 6	8		Y08492		
393		JM21000063	HEX NUT M6	8		Y08492		
394		JM21000210	SQUARE NECK BOLT M6X16	8		Y08492		
395		JM21000035	FLAT WASHER 6	8		Y08492		
396		JM21000034	SPRING WASHER 6	8		Y08492		
397		JM21000063	HEX NUT M6	8		Y08492		
398		JM27000003	FLAT WASHER 10	2		Y08492		
399		JM00000284	UPPER BAND SAW WHEEL ASSEMBLY	1		Y08492		
	D10		INC. 22-25,282,285			Y08492		
400		JM00000283	LOWER BAND SAW WHEEL ASSEMBLY	1		Y08492		
	D10		INC. 27,283,284,286,287,297			Y08492		
401		JM00000340	UPPER BLADE GUIDE ASSEMBLY	1		Y08492		
	D10		INC.50-52,56,58,63-72,135,241,			Y08492		
	D20		324-326,402-408			Y08492		
402		JM21000095	HEX SOCKET HEAD BOLT M5X20	1		Y08492		
403		JM21000094	FLANGED SLEEVE 15-10X5X7	1		Y08492		
404		JM21000093	BALL BEARING 6200	1		Y08492		
405		JM21000020	FLAT WASHER 5	1		Y08492		
406		JM21000092	COLUMN PIN 10X15	1		Y08492		
407		JM21000087	HEX SOCKET SET SCREW M6X8	1		Y08492		
408		JM21000087	HEX SOCKET SET SCREW M6X8	1		Y08492		
409		JM21000067	THIN HEX NUT M10	1		Y08492		
410		JM21000067	THIN HEX NUT M10	1		Y08492		
411		JM00000285	UPPER AXLE ASSEMBLY	1		Y08492		
	D10		INC. 45-48			Y08492		
412		JM00000337	LOW BLADE GUIDE ASSEMBLY	1		Y08492		
	D10		INC.134,140-142,214,217,224,			Y08492		
	D20		227,236,238,272-276,300-302,			Y08492		
	D30		413-419			Y08492		
413		JM21000087	HEX SOCKET SET SCREW M6X8	1		Y08492		
414		JM21000087	HEX SOCKET SET SCREW M6X8	1		Y08492		
415		JM21000092	COLUMN PIN 10X15	2		Y08492		
416		JM21000095	HEX SOCKET HEAD BOLT M5X20	1		Y08492		
417		JM21000094	FLANGED SLEEVE 15-10X5X7	1		Y08492		
418		JM21000093	BALL BEARING 6200	1		Y08492		
419		JM21000020	FLAT WASHER 5	1		Y08492		
420		JM21000043	RETAINING RING S-17	1		Y08492		
421		JM21000037	HEX SOCKET HEAD BOLT M6X20	2		Y08492		
422		JM21000063	HEX NUT M6	2		Y08492		
423		JM00000286	BELT TENSIONER WHEEL ASSEMBLY	1		Y08492		
	D10		INC. 99-103,309,310			Y08492		
424		JM21000229	LED LAMP ASSEMBLY,HV	1		Y08492		
	D10		INC. 146,156,425			Y08492		
425		JM00000333	LED LAMP	1		Y08492		
426		JM23100065	PAN HEAD SCREW M4X8	2		Y08492		
427		JM21000004	SWITCH	1		Y08492		
428		JM00000064	ROCKER SWITCH FIX PLATE	1		Y08492		
429		JM21000032	HEX NUT M4	2		Y08492		
430		JM21000027	SPRING WASHER 4	2		Y08492		
431		JM21000026	FLAT WASHER 4	2		Y08492		

A:

Interchange
 O : Yes
 X : No
 < : the new part can be substituted for the current.
 > : the current part can be substituted for the new.
 S : Interchangeable as a set.

TH	THAILAND
----	----------

LB1200F / 305MM BAND SAW

Item	Sub	Parts No.	Parts Description	Qty	I/C	E/C No.	Close No.	Remark
432		JM21000221	EARTHING TERMINAL 4	2		Y08492		
433		JM21000113	EXTERNAL TOOTH LOCK WASHER 4	2		Y08492		
434		JM21000028	PAN HEAD SCREW M4X10	2		Y08492		
435		JM21000228	TERMINAL BOX	1		Y08492		
436		JM21000248	CAPACITOR 22 MICRO F	1		Y08492		
437		JM21080260	MITER GUAGE ASSY	1		Y08492		
	D10		INC. 438-462			Y08492		
438		JM00000296	GRIP BOLT M6X22	1		Y08492		
439		JM21000083	FLAT WASHER 8L	1		Y08492		
440		JM00000367	MITER GUAGE PLATE COMPLETE	1		Y08492		
441		JM00000295	KNOB NUT M6	1		Y08492		
442		JM21000032	HEX NUT M4	1		Y08492		
443		JM00000302	PAN HEAD SCREW M4X20	1		Y08492		
444		JM21000032	HEX NUT M4	1		Y08492		
445		JM00000302	PAN HEAD SCREW M4X20	1		Y08492		
446		JM21000032	HEX NUT M4	1		Y08492		
447		JM00000302	PAN HEAD SCREW M4X20	1		Y08492		
448		JM23100141	HEX LOCK NUT M5	1		Y08492		
449		JM21000020	FLAT WASHER 5	1		Y08492		
450		JM21000018	HEX SOCKET HEAD BOLT M5X12	1		Y08492		
451		JM00000298	FENCE COVER	1		Y08492		
452		JM00000300	SLIDE PLATE A	1		Y08492		
453		JM00000299	SQUARE NECK BOLT M6X30	1		Y08492		
454		JM00000343	MITER GUAGE FENCE	1		Y08492		
455		JM00000298	FENCE COVER	1		Y08492		
456		JM00000293	POINTER A	1		Y08492		
457		JM00000292	HEX SOCKET SET SCREW M5X8	1		Y08492		
458		JM00000294	POINTER BRACKET PLATE	1		Y08492		
459		JM00000291	POINTER BRACKET	1		Y08492		
460		JM00000292	HEX SOCKET SET SCREW M5X8	1		Y08492		
461		JM00000290	GUIDE BAR	1		Y08492		
462		JM00000289	FLAT HEAD SCREW M4X12	1		Y08492		
463		JM21080230	RIP FENCE ASSY	1		Y08492		
	D10		INC. 464-477,487-493			Y08492		
464		JM00000369	FENCE BRACKET COMPLETE	1		Y08492		
	D10		INC. 478-486			Y08492		
465		JM00000328	KNOB NUT M6	2		Y08492		
466		JM00000327	FLAT WASHER 6 (L)	2		Y08492		
467		JM00000311	SQUARE NECK BOLT M6X56	2		Y08492		
468		JM00000310	HEX SOCKET HEAD BOLT M6X20	2		Y08492		
469		JM21000034	SPRING WASHER 6	2		Y08492		
470		JM21000035	FLAT WASHER 6	2		Y08492		
471		JM00000326	FENCE ADJUST BLOCK	1		Y08492		
472		JM00000309	RIP FENCE INSERT B	1		Y08492		
473		JM00000308	RIP FENCE	1		Y08492		
474		JM00000304	RIP FENCE INSERT A	1		Y08492		
475		JM00000325	PAN HEAD SCREW M4X8	1		Y08492		
476		JM21000026	FLAT WASHER 4	1		Y08492		
477		JM00000324	FENCE POINTER	1		Y08492		
478		JM00000312	FENCE BRACKET A	1		Y08492		
479		JM00000323	HEX BOLT M6X34	1		Y08492		
480		JM21000035	FLAT WASHER 6	1		Y08492		
481		JM00000314	KNURLED PIN 5X30	1		Y08492		
482		JM21010004	RIP FENCE FIXED PLATE	1		Y08492		
483		JM00000318	COMPRESSION SPRING	1		Y08492		
484		JM00000317	SPRING PIN 4X28	1		Y08492		
485		JM00000321	ECCENTRIC WHEEL	1		Y08492		
486		JM00000322	KNURLED PIN 8X30	1		Y08492		
487		JM00000316	FRICTION PLATE	1		Y08492		
488		JM00000281	FLAT HEAD SCREW M4X10	1		Y08492		
489		JM00000320	GRIP BOLT M8X10	1		Y08492		
490		JM00000319	GRIP BOLT CAP	1		Y08492		
491		JM00000305	GUIDE PLATE A	1		Y08492		
492		JM00000306	GUIDE PLATE B	1		Y08492		
493		JM00000307	KNOB BOLT M6X30	1		Y08492		

A:

Interchange
 O : Yes
 X : No
 < : the new part can be substituted for the current.
 > : the current part can be substituted for the new.
 S : Interchangeable as a set.

