



TH	THAILAND
----	----------

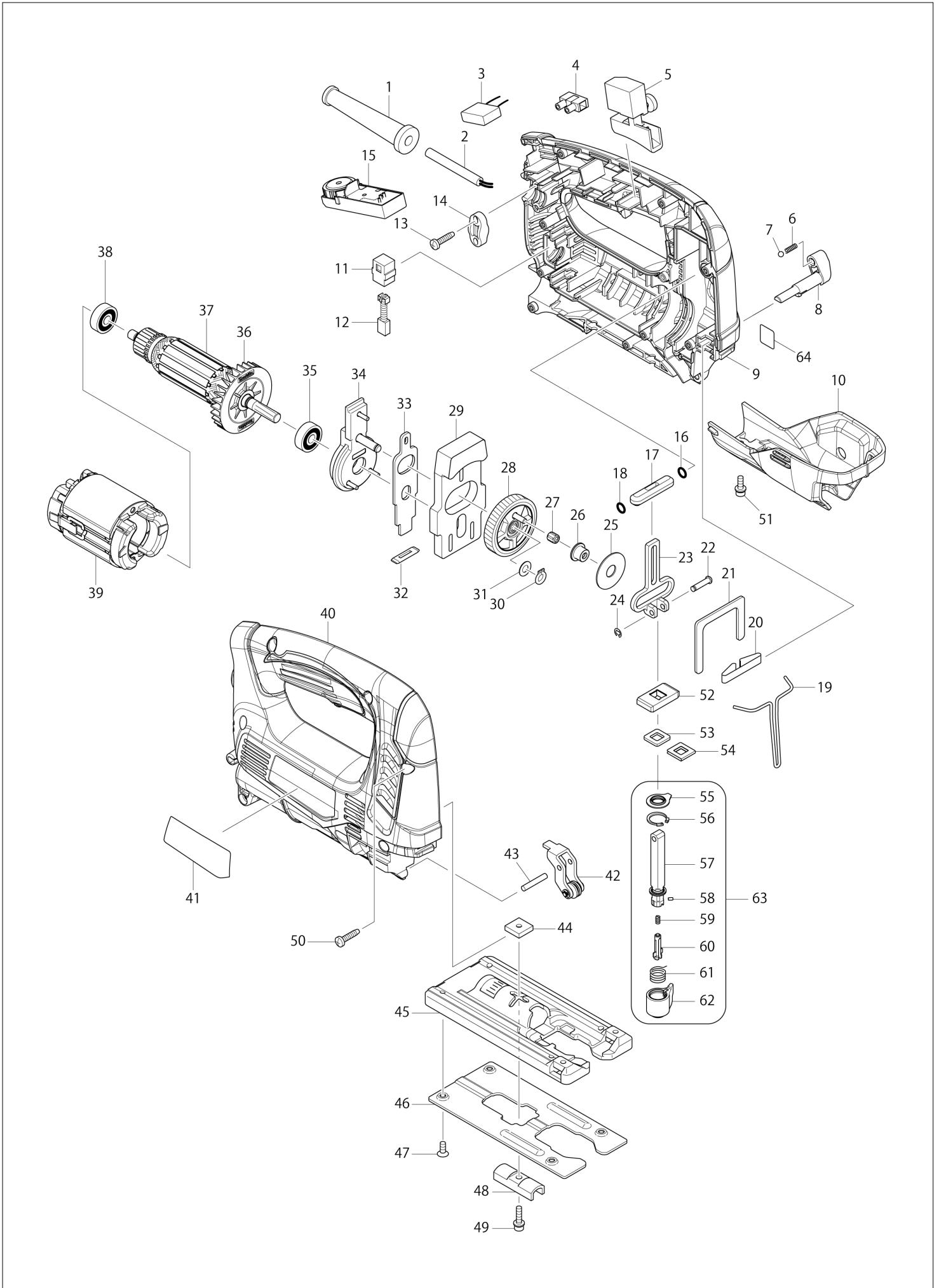
Diagram / Parts List

JV0600

JIG SAW



(TH) JV0600 / JIG SAW



TH	THAILAND
-----------	-----------------

JV0600 / JIG SAW

Item	Sub	Parts No.	Parts Description	Qty	I/C	E/C No.	Close No.	Remark
001		682504-0	CORD GUARD 10-85	1				
002		691015-4	POWER SUPPLY CORD 0.75-2-2.5	1				
005		650202-4	SWITCH SGEL115CDY-8	1				
006		233151-6	COMPRESSION SPRING 4	1				
007		216008-6	STEEL BALL 4	1				
008		272269-8	LEVER 18	1				
009		187163-0	HOUSING SET	1				
	C10	263002-9	RUBBER PIN 4	2				
	D10		INC. 40					
010		318751-4	HOUSING COVER	1				
011		643552-4	BRUSH HOLDER 5-8	2				
012		B-80254	CARBON BRUSH SET CB-64A	1				
013		265995-6	TAPPING SCREW 4X18	2				
014		687140-7	STRAIN RELIEF	1				
015		620046-6	CONTROLLER	1				
016		213038-8	O RING 5	1				
017		313082-6	SLIDER GUIDE	1				
018		213038-8	O RING 5	1				
019		326092-4	SAFETY WIRE	1				
020		232183-0	LEAF SPRING	1				
021		346473-6	SLIDER GUIDE PLATE	1				
022		268090-1	PIN 4	1				
023		310484-7	SLIDER	1			DH918	
023-1		313354-9	SLIDER	1	<	DH918		
024		961017-7	STOP RING E-3	1				
025		253180-3	FLAT WASHER 10	1				
026		257804-3	SHOULDER SLEEVE 7	1				
027		212965-6	NEEDLE CAGE 407	1				
028		141026-4	GEAR COMPLETE	1				
029		313216-1	BALANCE PLATE	1				
030		961002-0	RETAINING RING S-6	1				
031		253715-0	FLAT WASHER 6	1				
032		416703-0	DUST SEAL	1				
033		346471-0	PUSH PLATE	1				
034		141029-8	BEARING CASE COMPLETE	1			B6230	
034-1		144820-3	BEARING CASE COMPLETE	1	O	B6230		
035		210005-4	BALL BEARING 608DDW	1				
036		240115-3	FAN 55	1				
037		515853-9	ARMATURE ASS'Y 220V	1				
	D10		INC. 35,36,38					
038		210023-2	BALL BEARING 627DDW	1				
039		633788-3	FIELD 220V	1				
040		187163-0	HOUSING SET	1				
	C10	263002-9	RUBBER PIN 4	2				
	D10		INC. 9					
041		869972-6	JV0600 NAME PLATE	1				
042		141028-0	RETAINER COMPLETE	1				
043		256206-0	PIN 4	1				
044		343540-8	HOLDER	2				
045		317796-9	BASE	1				
046		345441-6	BASE PLATE	1				
047		912107-9	COUNTERSUNK HEAD SCREW M4X8	4				
048		344685-5	CLAMP PLATE	1			Y07519	
048-1		344685-5	CLAMP PLATE	1	O	Y07519		
049		922138-0	H.S.H.BOLT M4X20 WITH WR	1				
050		265995-6	TAPPING SCREW 4X18	10				
051		922118-6	HEX. SOCKET HEAD BOLT M4X12	1				
052		313215-3	SLIDER SUPPORT	1				
053		424436-3	POLYURETHANE SPONGE SEAL	1				
054		346470-2	SEAL PLATE	1				
055		424437-1	DUST COVER	1				
056		962063-3	RETAINING RING R-13	1				
057		165654-1	ROD	1				
058		256528-8	PIN 2	1				
059		233314-4	COMPRESSION SPRING 4	1				

A:JV0600K(H)

Interchange
O : Yes
X : No
< : the new part can be substituted for the current.
> : the current part can be substituted for the new.
S : Interchangeable as a set.

