



TH	THAILAND
----	----------

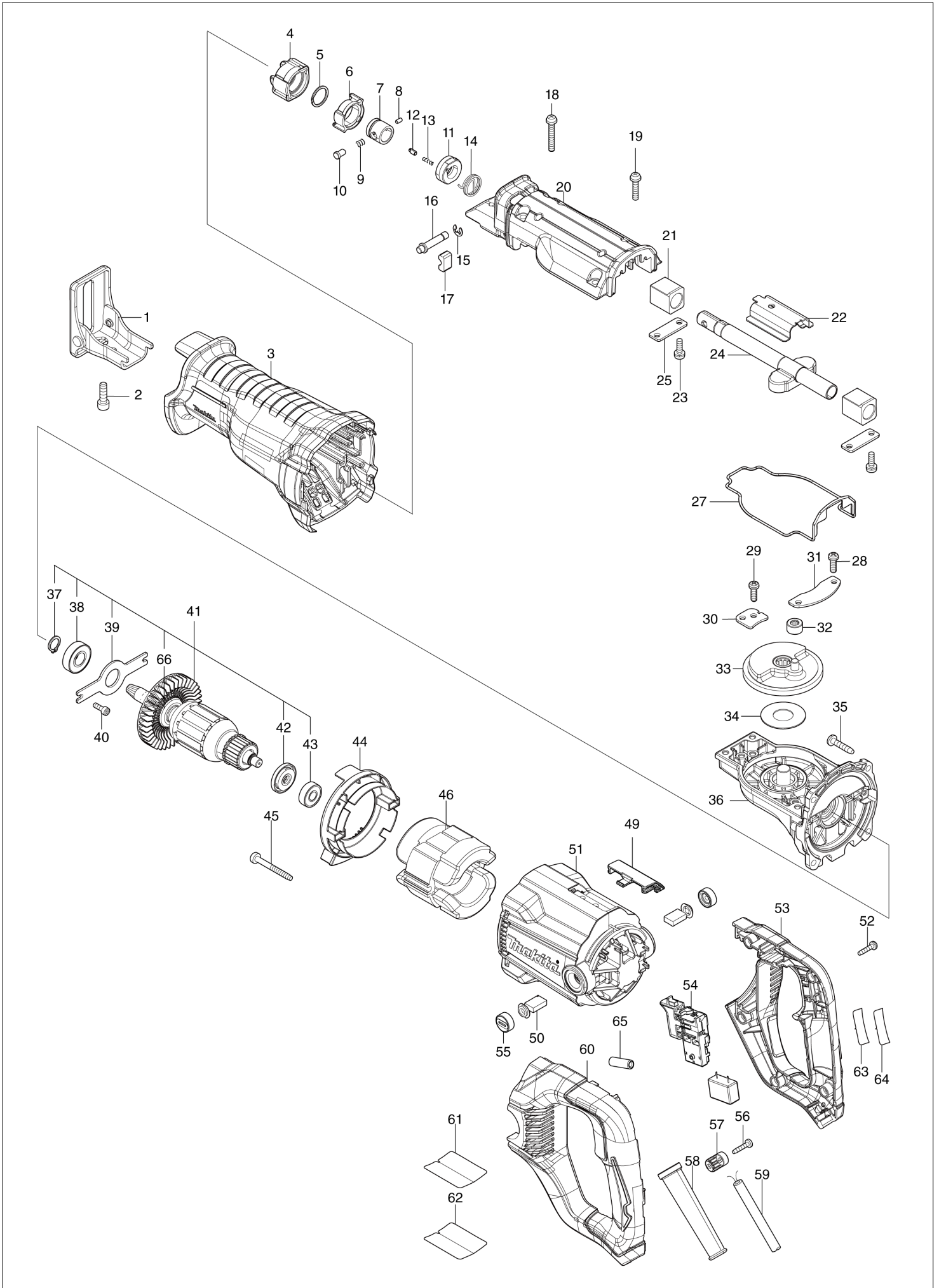
# Diagram / Parts List

**JR3051T**

**RECIPRO SAW**



(TH) JR3051T / RECIPRO SAW



TH	THAILAND
----	----------

### JR3051T / RECIPRO SAW

Item	Sub	Parts No.	Parts Description	Qty	I/C	E/C No.	Close No.	Remark
001		162704-3	SHOE	1				
002		265844-7	HEX. SOCKET HEAD BOLT M6X20	1				
003		422537-1	INSULATION COVER	1				
004		422223-4	PROTECTOR	1				
005		257430-8	RETAINING RING(EXT)18	1				
006		310848-5	DRIVING SLEEVE	1				
007		327043-0	GUIDE SLEEVE	1				
008		268094-3	PIN 3	1				
009		234381-2	COMPRESSION SPRING 6	1				
010		256569-4	SHOULDER PIN 5	1				
011		458968-8	CONNECTING SLEEVE	1				
012		310912-2	PUSH PIN	1				
013		232472-3	COMPRESSION SPRING 2	1				
014		233594-2	TORSION SPRING 17	1				
015		961018-5	STOP RING E-5	1				
016		256934-7	COLLARED PIN 6	1				
017		327441-8	BLOCK	1				
018		911258-5	PAN HEAD SCREW M5X35	2				
019		911243-8	PAN HEAD SCREW M5X25	2				
020		140R13-8	GEAR HOUSING COVER COMPLETE	1				
	C10	213174-0	X RING 14	1				
021		214169-6	PLANE BEARING 14	2				
022		347596-3	SLIDE PLATE	1				
023		911225-0	PAN HEAD SCREW M5X16	4				
024		162705-1	SLIDER	1				
025		341462-6	PLATE	2				
026		136188-1	GEAR HOUSING COVER ASS'Y	1		Y08505	Y09028	
	D10		INC. 4-17,20-25			Y08505	Y09028	
026-1		136962-7	GEAR HOUSING COVER ASS'Y	1	X	Y09028		
	D10		INC. 4-17,20-25			Y09028		
027		422538-9	SEAL RING	1				
028		911225-0	PAN HEAD SCREW M5X16	2				
029		911225-0	PAN HEAD SCREW M5X16	2				
030		347597-1	GEAR PLATE A	1				
031		346715-8	GEAR PLATE	1				
032		212959-1	NEEDLE BEARING 708	1				
033		140R15-4	GEAR COMPLETE	1				
034		267290-0	FLAT WASHER 18	1				
035		266459-3	TAPPING SCREW 5X25	4				
036		140R12-0	GEAR HOUSING COMPLETE	1				
037		961052-5	RETAINING RING (EXT) S-12	1				
038		211131-2	BALL BEARING 6001DDW	1			D1521	
038-1		210105-0	BALL BEARING 6001LLU	1	<	D1521		
039		285036-2	BEARING RETAINER 80	1				
040		265353-6	HEX. SOCKET HEAD BOLT M4X12	2				
041		511A03-0	ARMATURE ASS'Y 220-240V	1				
	D10		INC. 37-39,42,43,66					
042		681644-1	INSULATION WASHER	1				
043		210029-0	BALL BEARING 608ZZ	1				
044		459919-4	BAFFLE PLATE	1				
045		266056-5	TAPPING SCREW 5X45	2				
046		521893-7	FIELD ASS'Y 220V	1			DR990	
	C10	654020-2	RING TERMINAL	2			DR990	
	C20	654501-6	CONNECTOR P-1.25	2			DE676	
	C21	654485-8	PARALLEL SPLICE	2	O	DE676	DR990	
046-1		621893-8	FIELD	1	O	DR990		
	C10	654020-2	RING TERMINAL	2			DR990	
	C21	654485-8	PARALLEL SPLICE	2	O		DR990	
049		459920-9	HOOK COVER	1				
050		B-80379	CARBON BRUSH SET CB-303A	1				
051		140R14-6	MOTOR HOUSING COMPLETE	1				
	C10	644501-4	BRUSH HOLDER 5X11	2				
052		266326-2	TAPPING SCREW 4X18	5				
053		183N40-8	HANDLE SET	1				
	D10		INC. 60					

A:JR3051TK(H)

Interchange  
O : Yes  
X : No  
< : the new part can be substituted for the current.  
> : the current part can be substituted for the new.  
S : Interchangeable as a set.

