



TH	THAILAND
----	----------

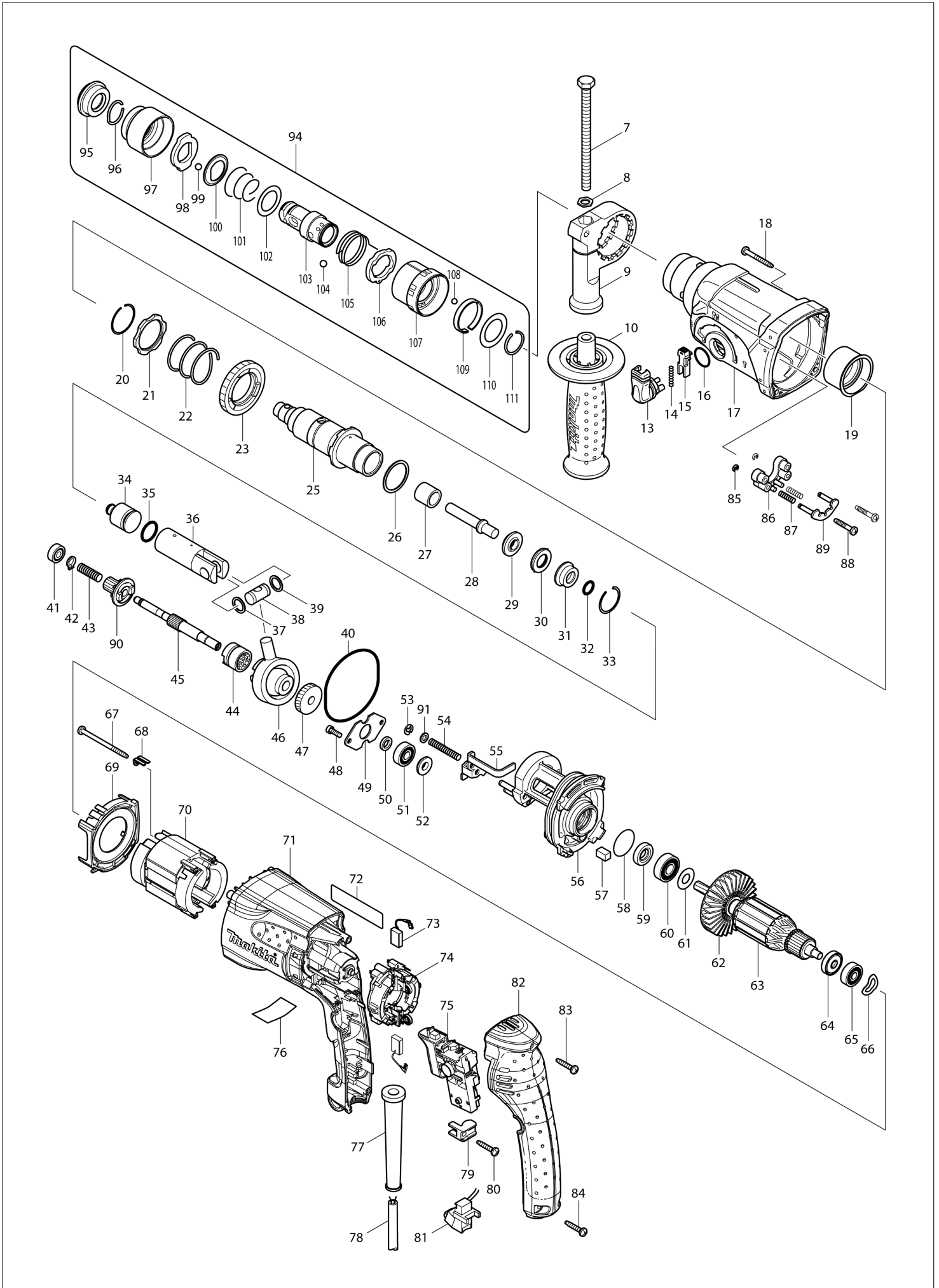
# Diagram / Parts List

**HR2470FT**

**ROTARY HAMMER 24MM**



(TH) HR2470FT / ROTARY HAMMER 24MM



TH	THAILAND
----	----------

### HR2470FT / ROTARY HAMMER 24MM

Item	Sub	Parts No.	Parts Description	Qty	I/C	E/C No.	Close No.	Remark
007		921923-8	HEX. BOLT M8X120	1				
008		345280-4	HEX. WASHER	1				
009		417630-4	GRIP BASE	1				
010		158057-6	GRIP 36 COMPLETE	1				
	C10	931402-8	HEX. NUT M8	1				
013		162245-9	CHANGE LEVER	1				
014		233459-8	COMPRESSION SPRING 3	1				
015		419192-8	LOCK BUTTON	1				
016		213278-8	O RING 17	1				
017		158216-2	GEAR HOUSING COMPLETE	1				
	C10	213965-9	OIL SEAL 25	1			86156	
	C11	213345-9	OIL SEAL 25	1	O	86156		
	C11	213345-9	OIL SEAL 25	1				
018		266351-3	TAPPING SCREW 4X35	4				
019		153290-5	NEEDLE BEARING COMPLETE	1				
020		233929-7	RING SPRING 29	1				
021A		267791-8	WASHER 31	1			93381	
021-1A		267460-1	WASHER 31	1	O	93381		
021-1B		267460-1	WASHER 31	1				
022		233401-9	COMPRESSION SPRING 32	1				
023		227109-5	SPUR GEAR 51	1				
025		158307-9	TOOL HOLDER GUIDE COMPLETE	1				
026		267229-3	FLAT WASHER 28	1				
027		331769-8	SLEEVE 9	1				
028		324796-2	IMPACT BOLT	1				
029		324402-9	RING 10	1				
030		421955-0	CUSHION RING 13	1				
031		324216-6	O RING CASE	1				
032		213073-6	O RING 9	1				
033		233917-4	RING SPRING 28	1				
034		324733-6	STRIKER	1				
035		213227-5	O RING 16	1				
036		318132-2	PISTON CYLINDER	1				
037		267104-3	FLAT WASHER 12	1				
038		324215-8	PISTON JOINT	1				
039		267104-3	FLAT WASHER 12	1				
040		213727-5	O-RING 63	1				
041A		211012-0	BALL BEARING 606ZZ	1			A3132	
041-1A		210028-2	BALL BEARING 606ZZ	1	O	A3132		
041-1B		210028-2	BALL BEARING 606ZZ	1				
042		961003-8	RETAINING RING S-7	1				
043		233343-7	COMPRESSION SPRING 7	1				
044A		331768-0	CLUTCH CAM	1			94931	
044-1A		331992-5	CLUTCH CAM	1	<	94931		
044-1B		331992-5	CLUTCH CAM	1				
045		324668-1	CAM SHAFT	1				
046		219014-0	SWASH BEARING 10	1				
047		226656-3	HELICAL GEAR 26	1				
048		266273-7	HEX. SOCKET HEAD BOLT M4X12	2				
049		345179-3	BEARING RETAINER	1				
050		267234-0	FLAT WASHER 8	1				
051A		211032-4	BALL BEARING 608ZZ	1			A3132	
051-1A		210029-0	BALL BEARING 608ZZ	1	O	A3132		
051-1B		210029-0	BALL BEARING 608ZZ	1				
052		324212-4	RING 8	1				
053		961011-9	STOP RING E-4	1				
054		233342-9	COMPRESSION SPRING 6	1				
055		345363-0	CHANGE PLATE	1				
056A		158215-4	INNER HOUSING COMPLETE	1			93459	
056-1A		141574-3	INNER HOUSING COMPLETE	1	S	93459		
056-1B		141574-3	INNER HOUSING COMPLETE	1				
057A		443126-9	FELT	1			93459	
058		213407-3	O RING 26	1				
059		213077-8	OIL SEAL 10	1			DR827	
059-1		213A72-4	OIL SEAL 10	1	O	DR827		

A:HR2470FT(H)  
B:HR2470FTX5(H)

Interchange  
O : Yes  
X : No  
< : the new part can be substituted for the current.  
> : the current part can be substituted for the new.  
S : Interchangeable as a set.

TH	THAILAND
----	----------

## HR2470FT / ROTARY HAMMER 24MM

Item	Sub	Parts No.	Parts Description	Qty	I/C	E/C No.	Close No.	Remark
060		210059-1	BALL BEARING 6000DDW	1				
061		267213-8	FLAT WASHER 10	1				
062		240092-9	FAN 64	1				
063		515288-4	ARMATURE ASS'Y 220V	1				
	D10		INC. 60-62,64,65					
064A		681652-2	INSULATION WASHER	1			80284	
064-1A		681670-0	INSULATION WASHER	1	<	80284		
064-1B		681670-0	INSULATION WASHER	1				
065		210023-2	BALL BEARING 627DDW	1				
066		267804-5	WAVE WASHER 15	1				
067		266334-3	TAPPING SCREW 4X60	2				
068		344871-8	RETAINER	2				
069		419716-0	BAFFLE PLATE	1				
070		626578-1	FIELD 220V	1				
071		419718-6	MOTOR HOUSING	1				
072		863556-2	HR2470FT NAME PLATE	1				
073A		194074-2	CARBON BRUSH CB-325	1			85070	
073-1A		195001-2	CARBON BRUSH SET CB-325	1	<	85070		
073-1B		195001-2	CARBON BRUSH SET CB-325	1				
074		638500-6	BRUSH HOLDER UNIT	1				
075		650589-4	SWITCH C3VA-2L	1				
076		814966-6	HR2470FT SERIAL NO.LABEL	1				
077		682566-8	CORD GUARD 10	1				
078		691015-4	POWER SUPPLY CORD 0.75-2-2.5	1				
079		687261-5	STRAIN RELIEF	1				
080		266324-6	TAPPING SCREW 4X22	1				
081		631746-3	LIGHT CIRCUIT	1				
082		419717-8	HANDLE COVER	1				
083		266324-6	TAPPING SCREW 4X22	1				
084		266324-6	TAPPING SCREW 4X22	2				
085		961017-7	STOP RING E-3	2				
086		417796-0	GUIDE BASE	1				
087		233344-5	COMPRESSION SPRING 4	2				
088		266374-1	TAPPING SCREW 4X25	2				
089		163430-7	LOCK PLATE COMPLETE	1				
090		227179-4	SPUR GEAR 10	1				
091		941102-2	FLAT WASHER 5	1				
094		194080-7	TOOL HOLDER SET	1				
	D10		INC. 95-111					
095		286263-4	CAP 35	1				
096		233940-9	RING SPRING 19	1				
097		418217-5	CHUCK COVER	1				
098		345333-9	STOPPER	1				
099		216022-2	STEEL BALL 7.0	1				
100		345187-4	GUIDE WASHER	1				
101		233916-6	CONICAL COMP. SPRING 21-29	1				
102		267279-8	FLAT WASHER 21	1				
103		324355-2	TOOL HOLDER	1				
104		216013-3	STEEL BALL 6	2				
105		231669-1	TORSION SPRING 31	1				
106		345334-7	CHANGE RING	1				
107		418218-3	CHANGE COVER	1				
108		216018-3	STEEL BALL 5.0	1				
109		345335-5	LEAF SPRING	1				
110		267270-6	FLAT WASHER 24	1				
111		233924-7	RING SPRING 21	1				
112A		819358-4	CLEAR LABEL	1		83871	90217	
112-1A		892830-1	CLEAR LABEL	1	<	90217	DM509	
112-1B		892830-1	CLEAR LABEL	1			DM509	
113A		819364-9	CLEAR LABEL	1		83871	87803	
113-1A		892829-6	CLEAR LABEL	1		90217		
113-1B		892829-6	CLEAR LABEL	1				
A01		194079-2	DRILL CHUCK SET	1			B1754	
	C10	251425-3	- FLAT HEAD SCREW M6X22	1			B1754	
	C20	324353-6	CHUCK HOLDER	1			B1754	

A:HR2470FT(H)  
B:HR2470FTX5(H)

Interchange  
O : Yes  
X : No  
< : the new part can be substituted for the current.  
> : the current part can be substituted for the new.  
S : Interchangeable as a set.

