



TH	THAILAND
----	----------

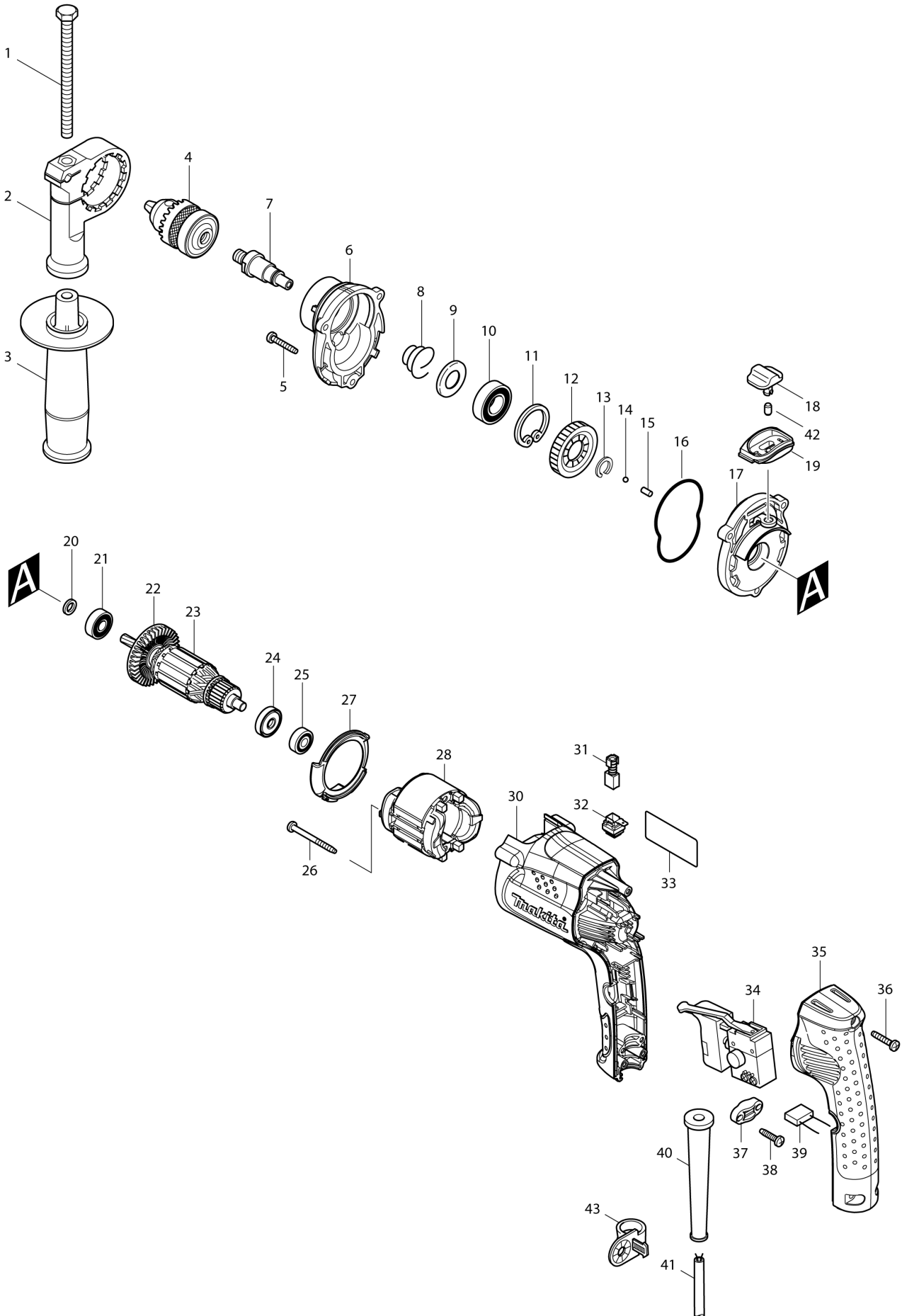
# Diagram / Parts List

**HP1230**

**HAMMER DRILL 12MM**



(TH) HP1230 / HAMMER DRILL 12MM



TH	THAILAND
----	----------

### HP1230 / HAMMER DRILL 12MM

Item	Sub	Parts No.	Parts Description	Qty	I/C	E/C No.	Close No.	Remark
001		921919-9	HEX. BOLT M8X110	1				
002		417911-6	GRIP BASE	1				
003		152521-9	GRIP 36 COMPLETE	1			86009	
	C10	931402-8	HEX. NUT M8	1			86009	
003-1		153503-4	GRIP 36 COMPLETE	1	O	86009		
004		192879-4	DRILL CHUCK	1				
005		266374-1	TAPPING SCREW 4X25	3				
006		318178-8	GEAR HOUSING	1				
007		324276-8	SPINDLE	1				
008		233921-3	CONICAL COMPRESSION SPRING	1				
009		345224-4	CUP WASHER 15	1				
010		211247-3	BALL BEARING 6002DDW	1				
011		962151-6	RETAINING RING R-32	1				
012		226558-3	HELICAL GEAR 37	1				
013		961082-6	RETAINING RING WR12	1				
014		216001-0	STEEL BALL 3.5	1				
015		256251-5	PIN 4	1				
016		424041-6	SEAL RING	1				
017		158356-6	CAM HOUSING COMPLETE	1				
018		418083-0	CHANGE LEVER A	1				
019		450090-7	LEVER CASE	1				
020		262087-2	RING 8	1			D7066	
020-1		257858-0	RING 8	1	<	D7066		
021		210005-4	BALL BEARING 608DDW	1				
022		240055-5	FAN 48	1				
023		517418-3	ARMATURE ASS'Y 220V	1				
	D10		INC. 20-22,24,25					
024		681652-2	INSULATION WASHER	1				
025		211021-9	BALL BEARING 607LLB	1				
026		266425-0	TAPPING SCREW 4X45	2				
027		450091-5	BAFFLE PLATE	1				
028		633533-6	FIELD 220V	1				
030		450088-4	MOTOR HOUSING	1				
031		A-81284	CARBON BRUSH CB-419A	1			83185	
031-1		B-80086	CARBON BRUSH SET CB-419A	1	O	83185	85070	
031-2		B-80422	CARBON BRUSH SET CB-419A	1	<	85070		
032		643995-0	BRUSH HOLDER	2				
033		863899-2	HP1230 NAME PLATE	1				
034		650511-1	SWITCH TG813ALB-1	1				
035		450089-2	HANDLE COVER	1				
036		266424-2	TAPPING SCREW 4X20	3				
037		687140-7	STRAIN RELIEF	1				
038		265995-6	TAPPING SCREW 4X18	2				
040		682566-8	CORD GUARD 10	1				
041		691005-7	POWER SUPPLY CORD 0.75-2-2.0	1				
042		263002-9	RUBBER PIN 4	1				
043		410102-8	KEY HOLDER	1				
A01		415486-9	DEPTH GAUGE	1				
A02		763415-9	CHUCK KEY S10	1				
A03B		824811-7	PLASTIC CARRYING CASE	1				
	C10	324815-4	SHAFT	1				
	C20	417724-5	LATCH	2				
	C30	418264-6	PLATE	3				
	C40	419216-0	HANDLE	1				
	C50	450086-8	PLASTIC CASE LID	1				

A:HP1230(H) B:HP1230K(H)	<b>Interchange</b> O : Yes X : No < : the new part can be substituted for the current. > : the current part can be substituted for the new. S : interchangeable as a set.
-----------------------------	--