



TH	THAILAND
----	----------

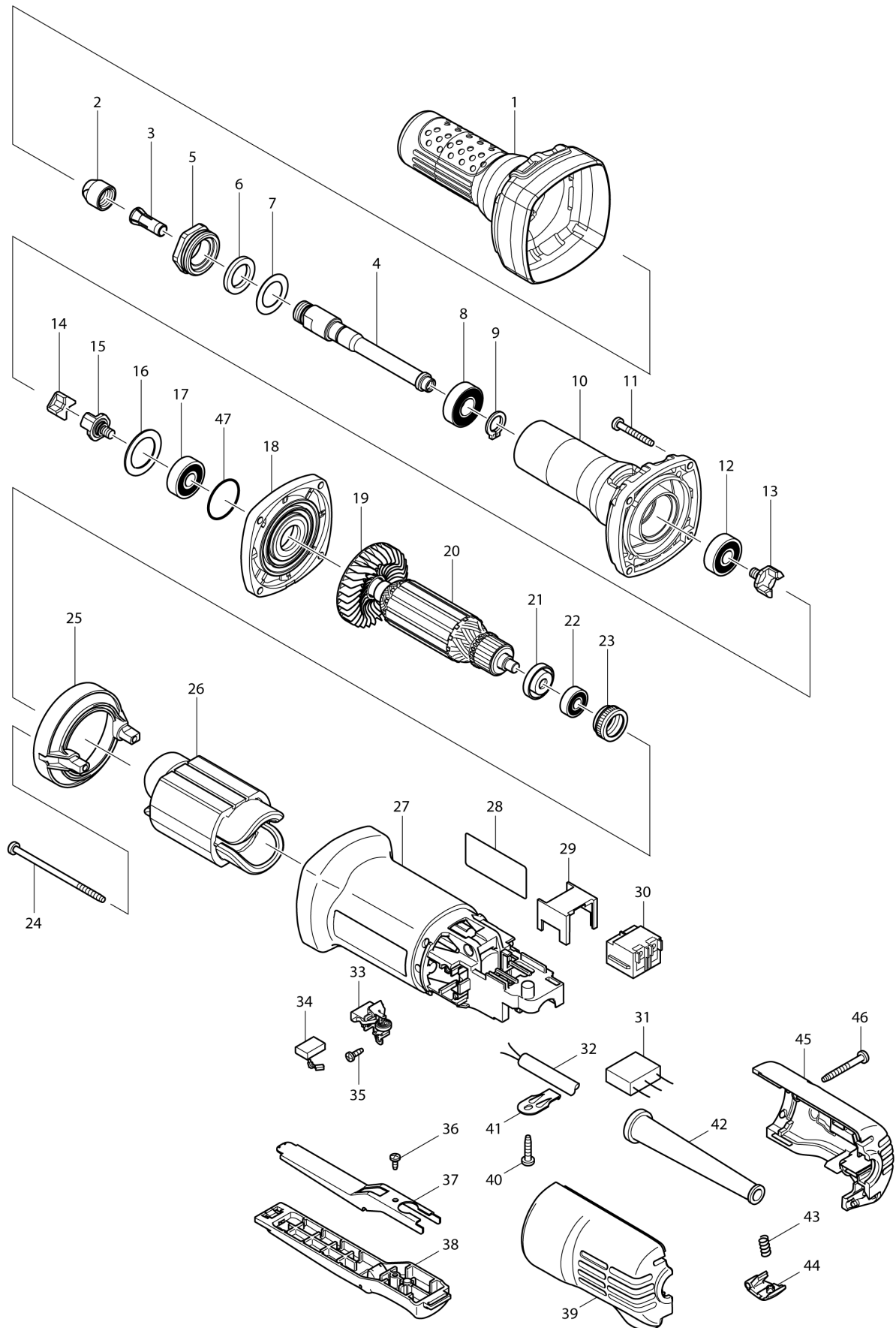
# Diagram / Parts List

**GD0600**

**DIE GRINDER**



(TH) GD0600 / DIE GRINDER



TH	THAILAND
----	----------

### GD0600 / DIE GRINDER

Item	Sub	Parts No.	Parts Description	Qty	I/C	E/C No.	Close No.	Remark
001		421943-7	INSULATION COVER	1				
002		763664-8	COLLET NUT 6	1				
003		763620-8	COLLET CONE 6MM	1			D8830	
003-1		763620-8	COLLET CONE 6MM	1	O	D8830		
004		324638-0	SPINDLE	1				
005		317999-5	BEARING RETAINER	1				
006		443124-3	FELT RING 17	1				
007		267329-9	FLAT WASHER 18	1				
008		210106-8	BALL BEARING 6001LLB	1			88791	
008-1		211101-1	BALL BEARING 6001LLB	1	O	88791		
009		961052-5	RETAINING RING S-12	1				
010		318000-9	BARREL	1				
011		266361-0	TAPPING SCREW 4X30	4				
012-1		210042-8	BALL BEARING 629LLB	1				
013		324639-8	COUPLING	1				
014		421942-9	SPACER	1				
015		324639-8	COUPLING	1				
016		267126-3	FLAT WASHER 22	1				
017-1		210042-8	BALL BEARING 629LLB	1				
018		317821-6	GEAR HOUSING COVER	1				
019		240076-7	FAN 56	1				
020		515678-1	ARMATURE ASS'Y 220V	1			88791	
	D10		INC. 19,21,22				88791	
020-1		510175-2	ARMATURE ASS'Y 220V	1	O	88791		
	D10		INC. 19,21,22			88791		
021		681636-0	INSULATION WASHER	1				
022		210034-7	BALL BEARING 607LLB	1			88791	
022-1		211021-9	BALL BEARING 607LLB	1	O	88791		
023		421868-5	LABYRINTH RUBBER RING 19	1			DD769	
023-1		422768-2	LABYLINTH RUBBER LING19	1	<	DD769		
024		266345-8	TAPPING SCREW 4X80	2				
025		418770-1	BAFFLE PLATE	1			B9212	
025-1		457791-8	BAFFLE PLATE	1	<	B9212		
026		621723-3	FIELD 220-240V	1				
027		418838-3	MOTOR HOUSING	1				
028		862168-8	GD0600 NAME PLATE	1				
029		418729-8	SPACER	1				
030		650560-8	SWITCH DPX-2110-R	1			93182	
030-1		651947-7	SWITCH 1247.0302	1	O	93182		
032		691015-4	POWER SUPPLY CORD 0.75-2-2.5	1				
033		643760-7	BRUSH HOLDER	2				
034		194074-2	CARBON BRUSH CB-325	1			85070	
034-1		195001-2	CARBON BRUSH SET CB-325	1	<	85070		
035		266007-8	TAPPING SCREW BIND PT 3X10	4				
036		265954-0	TAPPING SCREW BIND PT3X8	1			86224	
036-1		266492-5	TAPPING SCREW 3X8	1	O	86224		
037		345504-8	PLATE	1				
038		154584-1	SWITCH LEVER B COMPLETE	1				
039		183943-2	REAR COVER SET	1			DA855	
	D10		INC. 45				DA855	
039-1		183U00-2	REAR COVER SET	1	<	DA855		
	D10		INC. 45			DA855		
040		266326-2	TAPPING SCREW 4X18	1				
041		687169-3	STRAIN RELIEF	1				
042		682566-8	CORD GUARD 10	1				
043		231252-4	COMPRESSION SPRING 6	1				
044		418842-2	LOCK ON BUTTON	1				
045		183943-2	REAR COVER SET	1			DA855	
	D10		INC. 39				DA855	
045-1		183U00-2	REAR COVER SET	1	<	DA855		
	D10		INC. 39			DA855		
046		266351-3	TAPPING SCREW 4X35	2				
047		213445-5	O-RING 26	1				
A01		781039-9	WRENCH 13	2				

Interchange  
O : Yes  
X : No  
< : the new part can be substituted for the current.  
> : the current part can be substituted for the new.  
S : Interchangeable as a set.