



TH	THAILAND
----	----------

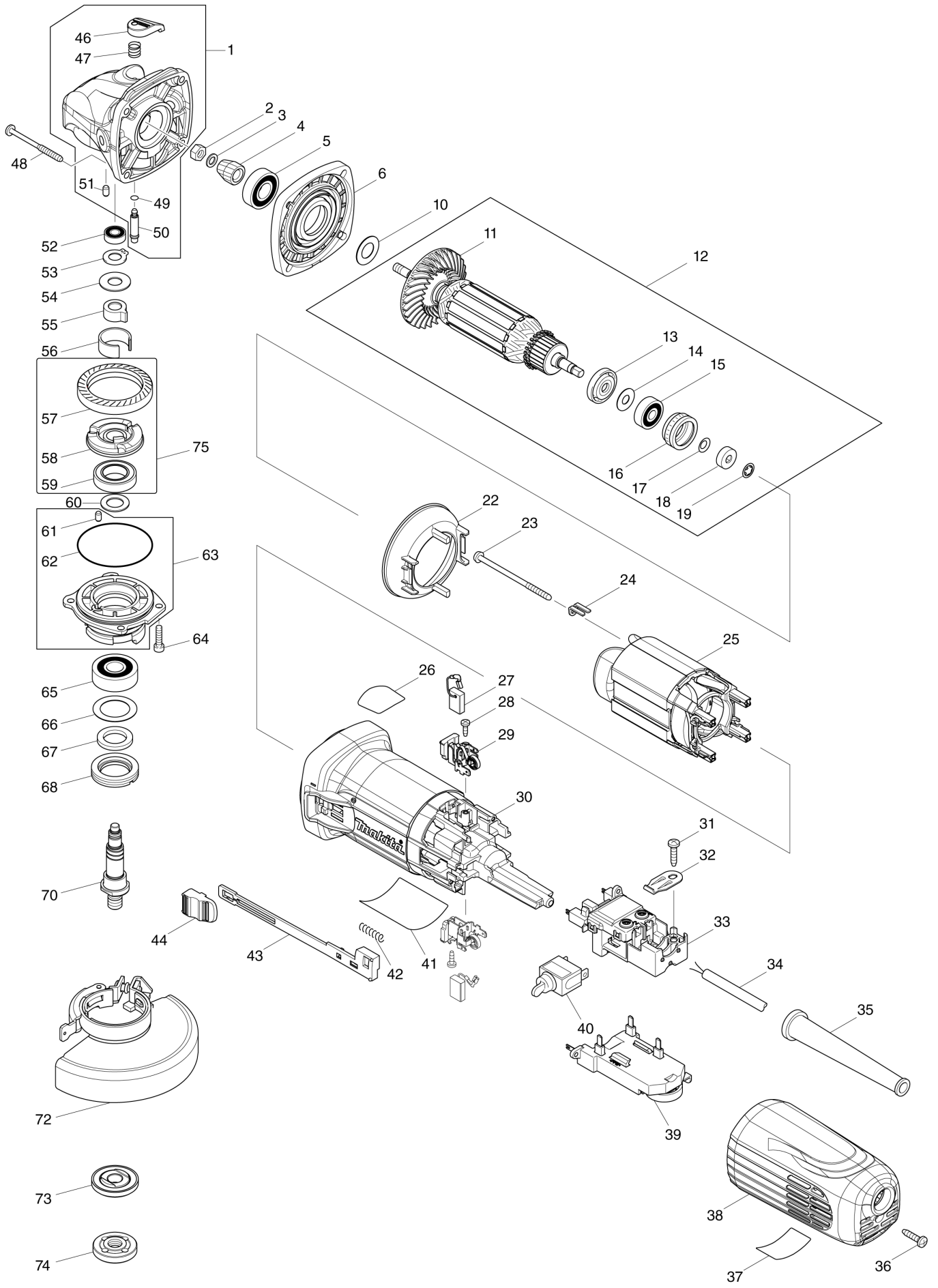
# Diagram / Parts List

**GA4040C**

**100MM ANGLE GRINDER**



(TH) GA4040C / 100MM ANGLE GRINDER



TH	THAILAND
----	----------

### GA4040C / 100MM ANGLE GRINDER

Item	Sub	Parts No.	Parts Description	Qty	I/C	E/C No.	Close No.	Remark
001-1		319310-7	GEAR HOUSING	1			Y07725	
001-2		136013-6	GEAR HOUSING ASS'Y	1	<	Y07725		
	D10		INC. 46,47,49-51			Y07725		
002		252186-8	HEX. NUT M6	1				
003		253077-6	FLAT WASHER 6	1				
004		227591-8	SPIRAL BEVEL GEAR 10	1				
005		211142-7	BALL BEARING 6001LLB	1				
006-1		141981-0	GEAR HOUSING COVER COMPLETE	1				
010		253084-9	FLAT WASHER 12	1				
011		240134-9	FAN 60	1				
012		515373-3	ARMATURE ASS'Y 220-240V	1			Y07720	
	D10		INC. 11,13-15				Y07720	
012-1		510377-0	ARMATURE ASS'Y 220-240V	1	<	Y07720	D9053	
	D10		INC. 11,13-19			Y07720	D9053	
012-2		510510-4	ARMATURE ASS'Y 220-240V	1	<	D9053		
	D10		INC. 11,13-19			D9053		
013		681656-4	INSULATION WASHER	1				
014		253823-7	FLAT WASHER 7	1				
015		210027-4	BALL BEARING 627DDW	1				
016		421738-8	LABYRINTH RUBBER RING 22	1			D9053	
016-1		422750-1	LABYRINTH RUBBER RING 22	1	<	D9053		
017		267756-0	WAVE WASHER 6	1				
018		688117-5	MAGNET SLEEVE	1				
019		259039-2	SELF LOCK 6	1				
022		453367-9	BUFFLE PLATE	1				
023		266258-3	TAPPING SCREW 4X70	2				
024		344871-8	RETAINER	2				
025		626653-3	FIELD 220-240V	1				
026		898443-6	SJS2 MARK LABEL	1			DR882	
027		194999-0	A.C. CARBON BRUSH SET CB-318	1				
028		266007-8	TAPPING SCREW BIND PT 3X10	2				
029-1		643770-4	BRUSH HOLDER	2				
030		453366-1	MOTOR HOUSING	1				
031		266326-2	TAPPING SCREW 4X18	1				
032		687169-3	STRAIN RELIEF	1				
033		638948-2	SWITCH BLOCK	1			B7825	
033-1		632K99-9	SWITCH BLOCK	1	<	B7825		
034		691015-4	POWER SUPPLY CORD 0.75-2-2.5	1				
035		682566-8	CORD GUARD 10	1				
036		266326-2	TAPPING SCREW 4X18	1				
037		898444-4	INDICATION LABEL	1				
038		453365-3	REAR COVER C	1				
039		620127-6	CONTROLLER	1			B7825	
039-1		620734-5	CONTROLLER	1	<	B7825	DH956	
039-2		620G02-8	CONTROLLER	1	<	DH956		
040		651418-4	SWITCH ST115A-40	1			DB412	
040-1		651418-4	SWITCH ST115A-40	1	O		DB412	
041-1		897074-8	GA4040C NAME PLATE	1			DK344	
041-2		8588X5-8	GA4040C NAME PLATE	1	<	DK344		
042		233071-4	COMPRESSION SPRING 4	1				
043		453847-5	SWITCH LEVER	1				
044		453368-7	SWITCH KNOB	1				
046		453369-5	PIN CAP	1				
047		234057-1	COMPRESSION SPRING 8	1				
048		266361-0	TAPPING SCREW 4X30	4				
049		213032-0	O RING 4	1				
050		256535-1	SHOULDER PIN 6	1				
051		263002-9	RUBBER PIN 4	1				
052		210006-2	BALL BEARING 696ZZ	1				
053		961005-4	RETAINING RING S-9	1				
054		253180-3	FLAT WASHER 10	1				
055-2		310683-1	JOINT SLEEVE	1				
056		346556-2	C TYPE PLATE	1				
057		227592-6	SPIRAL BEVEL GEAR 38	1				
058		313228-4	COUPLING	1				

A:GA4040C(H)

Interchange  
 O : Yes  
 X : No  
 < : the new part can be substituted for the current.  
 > : the current part can be substituted for the new.  
 S : Interchangeable as a set.

