



| | |
|----|----------|
| TH | THAILAND |
|----|----------|

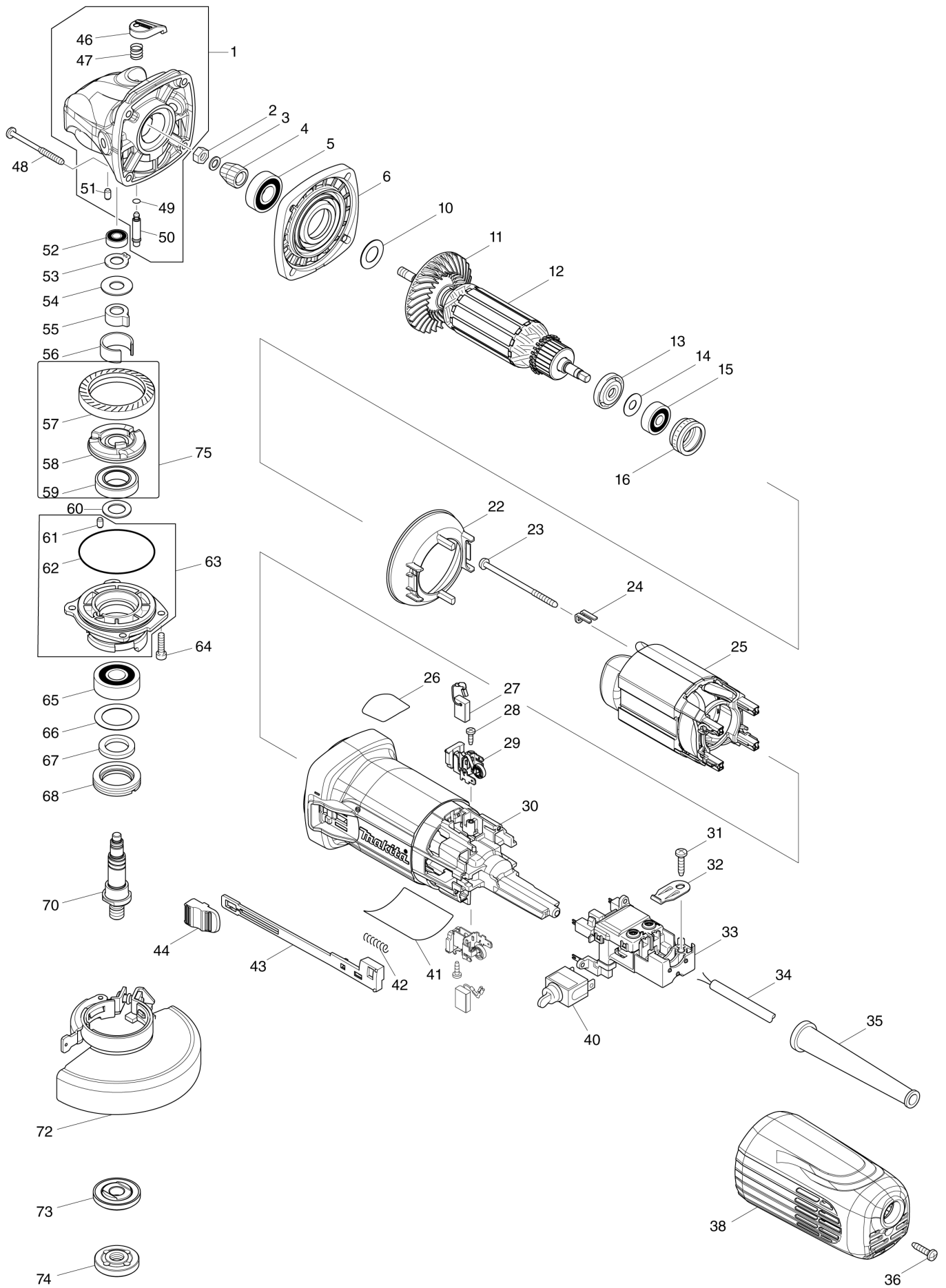
Diagram / Parts List

GA4040

100MM ANGLE GRINDER



(TH) GA4040 / 100MM ANGLE GRINDER



| | |
|----|----------|
| TH | THAILAND |
|----|----------|

GA4040 / 100MM ANGLE GRINDER

| Item | Sub | Parts No. | Parts Description | Qty | I/C | E/C No. | Close No. | Remark |
|-------|-----|-----------|------------------------------|-----|-----|---------|-----------|--------|
| 001-1 | | 319310-7 | GEAR HOUSING | 1 | | | Y07725 | |
| 001-2 | | 136013-6 | GEAR HOUSING ASS'Y | 1 | < | Y07725 | | |
| | D10 | | INC. 46,47,49-51 | | | Y07725 | | |
| 002 | | 252186-8 | HEX. NUT M6 | 1 | | | | |
| 003 | | 253077-6 | FLAT WASHER 6 | 1 | | | | |
| 004 | | 227591-8 | SPIRAL BEVEL GEAR 10 | 1 | | | | |
| 005 | | 211142-7 | BALL BEARING 6001LLB | 1 | | | | |
| 006-1 | | 141981-0 | GEAR HOUSING COVER COMPLETE | 1 | | | | |
| 010 | | 253084-9 | FLAT WASHER 12 | 1 | | | | |
| 011 | | 240134-9 | FAN 60 | 1 | | | | |
| 012 | | 515363-6 | ARMATURE ASS'Y 220V | 1 | | | | |
| | D10 | | INC. 11,13-15 | | | | | |
| 013 | | 681656-4 | INSULATION WASHER | 1 | | | | |
| 014 | | 253823-7 | FLAT WASHER 7 | 1 | | | | |
| 015 | | 210027-4 | BALL BEARING 627DDW | 1 | | | | |
| 016 | | 421738-8 | LABYRINTH RUBBER RING 22 | 1 | | | D9053 | |
| 016-1 | | 422750-1 | LABYRINTH RUBBER RING 22 | 1 | < | D9053 | | |
| 022 | | 453367-9 | BUFFLE PLATE | 1 | | | | |
| 023 | | 266258-3 | TAPPING SCREW 4X70 | 2 | | | | |
| 024 | | 344871-8 | RETAINER | 2 | | | | |
| 025 | | 626648-6 | FIELD 220V | 1 | | | | |
| 026 | | 898443-6 | SJS2 MARK LABEL | 1 | | | DR882 | |
| 027 | | 195001-2 | CARBON BRUSH SET CB-325 | 1 | | | | |
| 028 | | 266007-8 | TAPPING SCREW BIND PT 3X10 | 2 | | | | |
| 029-1 | | 643770-4 | BRUSH HOLDER | 2 | | | | |
| 030 | | 453366-1 | MOTOR HOUSING | 1 | | | | |
| 031 | | 266326-2 | TAPPING SCREW 4X18 | 1 | | | | |
| 032 | | 687169-3 | STRAIN RELIEF | 1 | | | | |
| 033 | | 638950-5 | SWITCH BLOCK | 1 | | | C1409 | |
| 033-1 | | 632L24-6 | SWITCH BLOCK | 1 | < | C1409 | | |
| 034 | | 691015-4 | POWER SUPPLY CORD 0.75-2-2.5 | 1 | | | | |
| 035 | | 682566-8 | CORD GUARD 10 | 1 | | | | |
| 036 | | 266326-2 | TAPPING SCREW 4X18 | 1 | | | | |
| 038 | | 453364-5 | REAR COVER | 1 | | | | |
| 040 | | 651418-4 | SWITCH ST115A-40 | 1 | | | DB412 | |
| 040-1 | | 651418-4 | SWITCH ST115A-40 | 1 | O | DB412 | | |
| 041 | | 897044-7 | GA4040 NAME PLATE | 1 | | | | |
| 042 | | 233071-4 | COMPRESSION SPRING 4 | 1 | | | | |
| 043 | | 453847-5 | SWITCH LEVER | 1 | | | | |
| 044 | | 453368-7 | SWITCH KNOB | 1 | | | | |
| 046 | | 453369-5 | PIN CAP | 1 | | | | |
| 047 | | 234057-1 | COMPRESSION SPRING 8 | 1 | | | | |
| 048 | | 266361-0 | TAPPING SCREW 4X30 | 4 | | | | |
| 049 | | 213032-0 | O RING 4 | 1 | | | | |
| 050 | | 256535-1 | SHOULDER PIN 6 | 1 | | | | |
| 051 | | 263002-9 | RUBBER PIN 4 | 1 | | | | |
| 052 | | 210006-2 | BALL BEARING 696ZZ | 1 | | | | |
| 053 | | 961005-4 | RETAINING RING S-9 | 1 | | | | |
| 054 | | 253180-3 | FLAT WASHER 10 | 1 | | | | |
| 055-2 | | 310683-1 | JOINT SLEEVE | 1 | | | | |
| 056 | | 346556-2 | C TYPE PLATE | 1 | | | | |
| 057 | | 227592-6 | SPIRAL BEVEL GEAR 38 | 1 | | | | |
| 058 | | 313228-4 | COUPLING | 1 | | | | |
| 059 | | 210302-8 | BALL BEARING 6903ZZ | 1 | | | | |
| 060 | | 253744-3 | FLAT WASHER 12 | 1 | | | | |
| 061 | | 263002-9 | RUBBER PIN 4 | 1 | | | | |
| 062 | | 213641-5 | O RING 51 | 1 | | | | |
| 063 | | 318837-4 | BEARING BOX | 1 | | | Y07722 | |
| 063-1 | | 136012-8 | BEARING BOX ASSEMBLY | 1 | < | Y07722 | | |
| | D10 | | INC. 61,62 | | | Y07722 | | |
| 064 | | 265490-6 | HEX. SOCKET HEAD BOLT M4X16 | 4 | | | | |
| 065 | | 211129-9 | BALL BEARING 6201DDW | 1 | | | | |
| 066 | | 267279-8 | FLAT WASHER 21 | 1 | | | | |
| 067 | | 443124-3 | FELT RING 17 | 1 | | | | |
| 068 | | 285854-8 | BEARING RETAINER 20-33 | 1 | | | | |

A:GA4040(H)

Interchange
O : Yes
X : No
< : the new part can be substituted for the current.
> : the current part can be substituted for the new.
S : Interchangeable as a set.

