



TH	THAILAND
----	----------

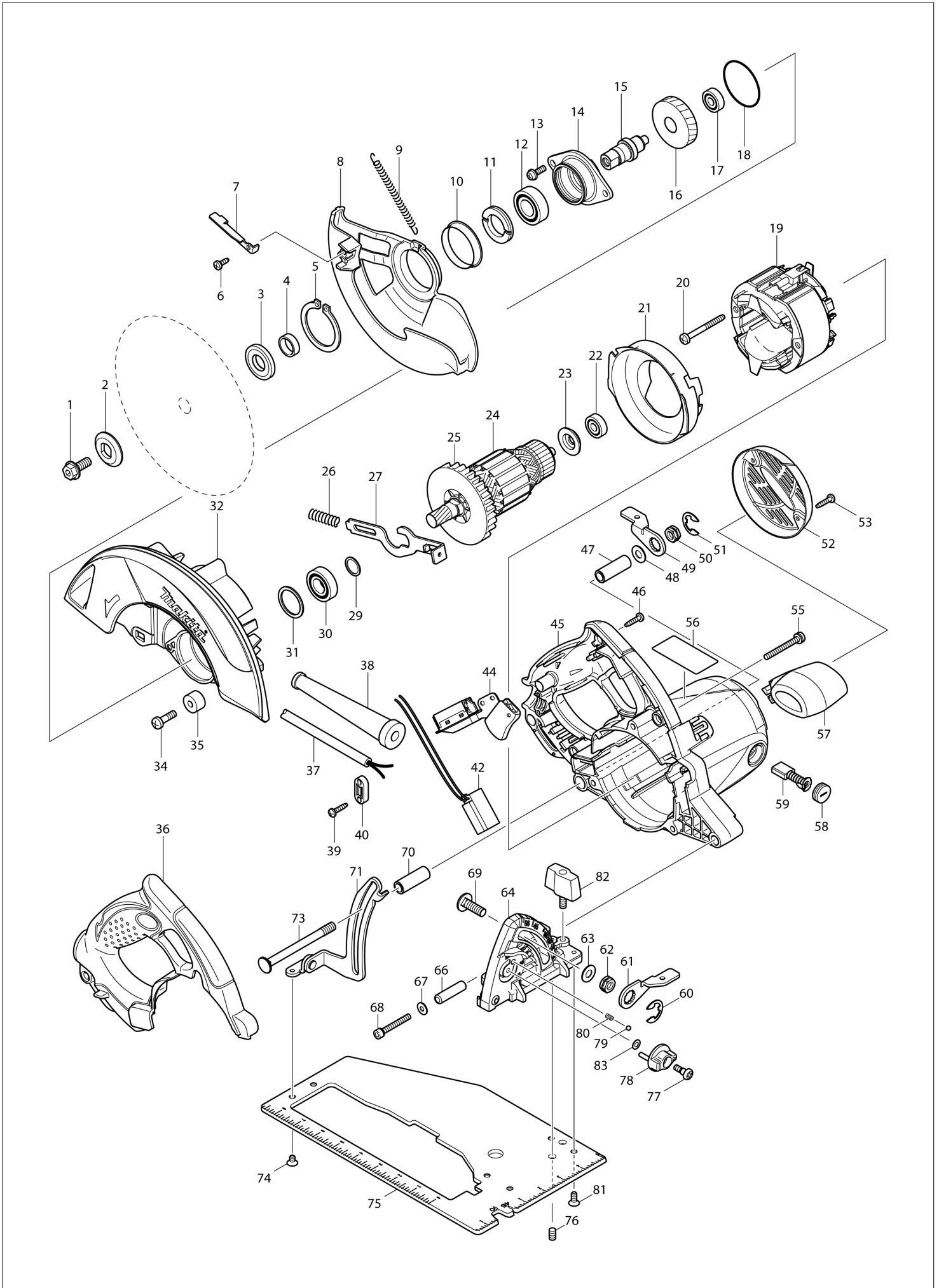
Diagram / Parts List

5007NF

CIRCULAR SAW 185MM



(TH) 5007NF / CIRCULAR SAW 185MM



TH	THAILAND
----	----------

5007NF / CIRCULAR SAW 185MM

Item	Sub	Parts No.	Parts Description	Qty	I/C	E/C No.	Close No.	Remark
001		266283-4	HEX. SOCKET HEX. BOLT M8X20	1				
002		224409-4	OUTER FLANGE 35	1				
003		224412-5	INNER FLANGE 35	1			A5210	
003-1		224473-5	INNER FLANGE 35	1	O	A5210	B7950	
003-2		224593-5	INNER FLANGE 35	1	<	B7950		
004		257279-6	RING 17	1				
005		961201-4	RETAINING RING S-42	1				
006		266398-7	TAPPING SCREW BIND CT 4X12	1				
007		345931-9	LEVER PLATE	1				
008		318057-0	SAFETY COVER	1			92227	
008-1		318057-0	SAFETY COVER	1	O	92227	A0672	
008-2		318963-9	SAFETY COVER	1	<	A0672	C5566	
008-3		319780-0	SAFETY COVER	1	<	C5566		
009		231839-2	TENSION SPRING 4	1				
010		345422-0	SPACER	1			A6034	
010-1		346880-3	SPACER	1	<	A6034		
011		285848-3	BEARING RETAINER 23-36	1				
012		211275-8	BALL BEARING 6003DDW	1			91937	
012-1		210301-0	BALL BEARING 6003DDW	1	O	91937		
013		911223-4	PAN HEAD SCREW M5X16	2				
014		318056-2	BEARING BOX	1				
015		324690-8	SPINDLE	1				
016		226682-2	HELICAL GEAR 47	1				
017		210029-0	BALL BEARING 608ZZ	1				
018		213623-7	O RING 46	1				
019		596288-3	FIELD ASS'Y 220V	1				
	C10	654020-2	RING TERMINAL	2				
	C20	654502-4	CONNECTOR P-2	2				
020		266397-9	TAPPING SCREW BIND 5X50	2				
021		419548-5	BAFFLE PLATE	1				
022		210029-0	BALL BEARING 608ZZ	1			90190	
022-1		210005-4	BALL BEARING 608DDW	1	<	90190		
023		681625-5	INSULATION WASHER	1				
024		510134-6	ARMATURE ASS'Y 220V	1				
	D10		INC. 22,23,25,29,30					
025		240003-4	FAN 80	1				
026		231297-2	COMPRESSION SPRING 9	1				
027		345717-1	SHAFT LOCK	1				
029		267280-3	FLAT WASHER 15	1				
030		211236-8	BALL BEARING 6002DDW	1				
031		261132-0	URETHANE WASHER 26	1				
032		158672-6	BLADE CASE COMPLETE	1			C4205	
	C10	263002-9	RUBBER PIN 4	2			C4205	
	C20	816912-5	SCALE LABEL	1			C4205	
032-1		140G57-2	BLADE CASE COMPLETE	1	<	C4205		
	C10	263002-9	RUBBER PIN 4	2		C4205		
	C20	816912-5	SCALE LABEL	1		C4205		
034		251247-1	+ PAN HEAD SCREW M6X20	1				
035		262552-1	RUBBER SLEEVE 6	1			D4472	
035-1		262502-6	RUBBER SLEEVE 6	1	O	D4472		
036		450684-8	HANDLE COVER	1				
037		691015-4	POWER SUPPLY CORD 0.75-2-2.5	1				
038		682564-2	CORD GUARD	1				
039		266326-2	TAPPING SCREW 4X18	2				
040		687140-7	STRAIN RELIEF	1				
042		631709-9	LIGHT CIRCUIT	1				
044		651189-3	SWITCH TG933TN-2	1				
045		158705-7	MOTOR HOUSING COMPLETE	1				
	C10	643653-8	BRUSH HOLDER 6.5-13.5	2				
046		266326-2	TAPPING SCREW 4X18	5				
047		331719-3	PIPE 9	1				
048		941201-0	FLAT WASHER 8	1				
049		345930-1	LEVER PLATE	1				
050		252199-9	HEX. NUT M8-13	1				
051		257953-6	BOW STOP RING E-12	1				

A:5007NF(H)

Interchange
O : Yes
X : No
< : the new part can be substituted for the current.
> : the current part can be substituted for the new.
S : Interchangeable as a set.

