



TH	THAILAND
----	----------

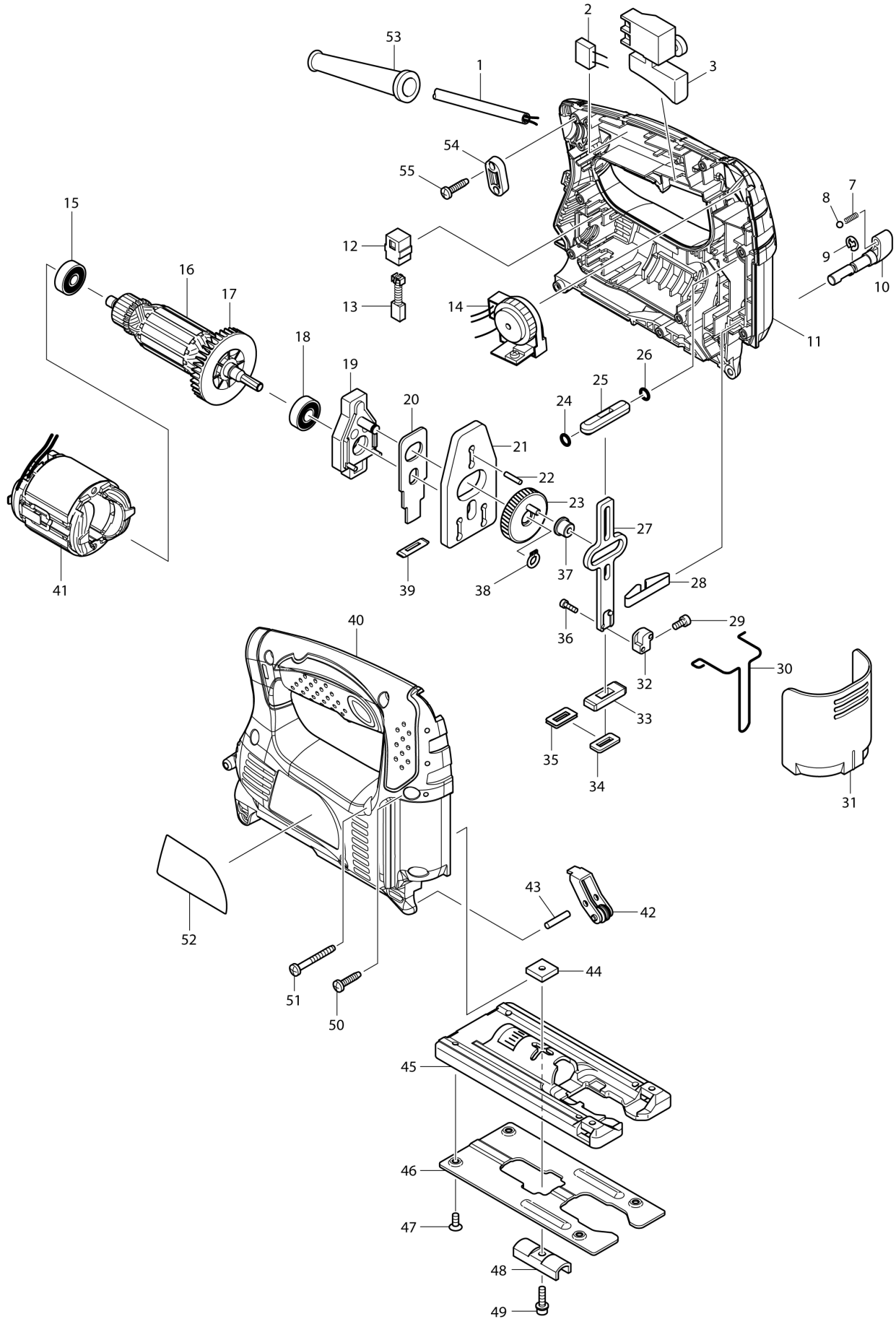
Diagram / Parts List

4329

JIG SAW



(TH) 4329 / JIG SAW



TH	THAILAND
-----------	-----------------

4329 / JIG SAW

Item	Sub	Parts No.	Parts Description	Qty	I/C	E/C No.	Close No.	Remark
001		691055-2	POWER SUPPLY CORD 0.75-2-2.0	1				
003		651286-5	SWITCH SGEL206C-5	1			DB412	
003-1		651286-5	SWITCH SGEL206C-5	1	O	DB412		
007		233151-6	COMPRESSION SPRING 4	1				
008		216008-6	STEEL BALL 4	1				
009		961011-9	STOP RING E-4	1				
010		272239-7	LEVER 18	1				
011		188338-4	HOUSING SET	1				
	C10	263002-9	RUBBER PIN 4	2				
	D10		INC. 40					
012		643562-1	BRUSH HOLDER 5X8	2			85259	
012-1		643552-4	BRUSH HOLDER 5-8	2	O	85259		
013		A-81206	CARBON BRUSH CB-64A	1			83185	
013-1		B-80195	CARBON BRUSH CB-64A	1	O	83185	85070	
013-2		B-80254	CARBON BRUSH SET CB-64A	1	<	85070		
014		631777-2	CONTROLLER	1			A7092	
014-1		620411-9	CONTROLLER	1	O	A7092		
015		210025-8	BALL BEARING 627LLB	1				
016		515718-5	ARMATURE ASS'Y 220V	1				
	D10		INC. 15,17,18					
017		241881-5	FAN 52	1				
018		210005-4	BALL BEARING 608DDW	1				
019		152600-3	BEARING CASE COMPLETE	1				
020		344683-9	PUSH PLATE	1				
021		344614-8	BALANCE PLATE	1				
022		256254-9	PIN 3	1				
023		153260-4	GEAR COMPLETE	1				
024		213038-8	O RING 5	1				
025		313082-6	SLIDER GUIDE	1				
026		213038-8	O RING 5	1				
027		344613-0	SLIDER	1				
028		232183-0	LEAF SPRING	1				
029		922107-1	HEX. SOCKET HEAD BOLT M4X8	1				
030		323748-0	SAFETY WIRE	1				
031		416476-5	DUST COVER	1				
032		313140-8	BLADE CLAMP	1				
033		313086-8	SLIDER SUPPORT	1				
034		423307-1	POLYURETHANE SPONGE SEAL	1				
035		344686-3	SEAL PLATE	1				
036		266177-3	HEX. SOCKET HEAD BOLT M3X10	2				
037		257683-9	COLLAR SLEEVE	1				
038		961002-0	RETAINING RING S-6	1				
039		416703-0	DUST SEAL	1				
040		188338-4	HOUSING SET	1				
	C10	263002-9	RUBBER PIN 4	2				
	D10		INC. 11					
041		633658-6	FIELD 220-240V	1				
042		158392-2	RETAINER COMPLETE	1				
043		256117-9	PIN 4	1				
044		343540-8	HOLDER	1				
045		317796-9	BASE	1				
046		345441-6	BASE PLATE	1				
047		912107-9	COUNTERSUNK HEAD SCREW M4X8	4				
048		344685-5	CLAMP PLATE	1			Y07519	
048-1		344685-5	CLAMP PLATE	1	O	Y07519		
049		922128-3	HEX. SOCKET HEAD BOLT M4X16	1				
050		265995-6	TAPPING SCREW 4X18	9				
051		266053-1	TAPPING SCREW 4X35	1				
052		863970-2	4329 NAME PLATE	1				
053		682569-2	CORD GUARD 8-85	1				
054		687124-5	STRAIN RELIEF	1				
055		265995-6	TAPPING SCREW 4X18	2				
A01		792538-6	JIG SAW BLADE B-10	1			010 96	
A01-1		A-85628	JIGSAW BLADE NO.B10	1	<	010 96		AEPD-010/96
A02		783201-2	HEX. WRENCH 3	1				

A:4329(H)

Interchange
O : Yes
X : No
< : the new part can be substituted for the current.
> : the current part can be substituted for the new.
S : Interchangeable as a set.

