



TH	THAILAND
----	----------

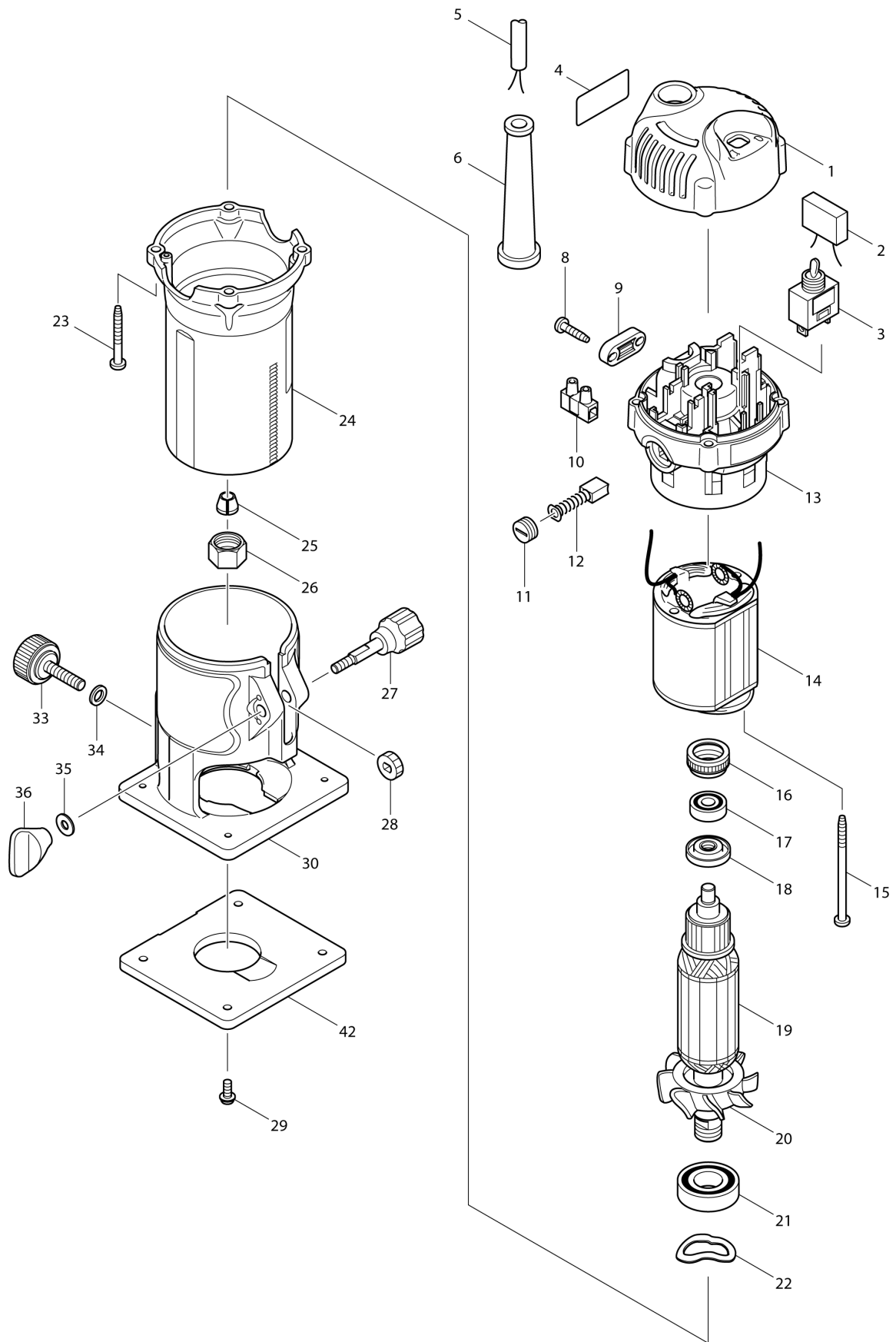
# Diagram / Parts List

**3709**

**TRIMMER**



(TH) 3709 / TRIMMER



TH	THAILAND
----	----------

### 3709 / TRIMMER

Item	Sub	Parts No.	Parts Description	Qty	I/C	E/C No.	Close No.	Remark
001		419137-6	TOP COVER	1			DD679	
001-1		413K14-0	TOP COVER	1	O	DD679		
003		651425-7	SWITCH STL115ADT	1			C2203	
003-1		651066-9	SWITCH ST115A-TB-S1	1	O	C2203		
004		861695-2	3709 NAME PLATE	1				
005		691065-9	POWER SUPPLY CORD 0.75-2-2.5	1				
006		682569-2	CORD GUARD 8-85	1				
008		266326-2	TAPPING SCREW 4X18	2				
009		687124-5	STRAIN RELIEF	1				
011		643550-8	BRUSH HOLDER CAP 5-8	2				
012		A-88537	CARBON BRUSH CB-411A	1			83185	
012-1		B-80167	CARBON BRUSH SET CB-411A	1	O	83185	85070	
012-2		B-80391	CARBON BRUSH SET CB-411A	1	<	85070		
013		154669-3	BRACKET COMPLETE	1			C6769	
	C10	643455-2	BRUSH HOLDER 6X9	2			C6769	
013-1		140L18-2	BRACKET COMPLETE	1	<	C6769		
	C10	643455-2	BRUSH HOLDER 6X9	2		C6769		
014		590018-4	FIELD ASS'Y 220V	1			C6769	
	C10	654100-4	RING TERMINAL	2			C6769	
	C20	654501-6	CONNECTOR P-1.25	2			C6769	
014-1		590086-7	FIELD ASSY 220V	1	O	C6769		
	C10	654100-4	RING TERMINAL	2		C6769		
	C20	654501-6	CONNECTOR P-1.25	2		C6769	DE676	
	C21	654485-8	PARALLEL SPLICE	2	O	DE676		
015		266340-8	TAPPING SCREW 4X65	2				
016		421494-0	RUBBER RING 19	1				
017		210034-7	BALL BEARING 607LLB	1				
018		681668-7	INSULATION WASHER	1			A1467	
018-1		681668-7	INSULATION WASHER	1	O	A1467		
019		515633-3	ARMATURE ASS'Y 220V	1			99419	
	D10		INC. 17,18,20,21				99419	
019-1		510275-8	ARMATURE ASS'Y 220V	1	O	99419		
	D10		INC. 17,18,20,21			99419		
020		241667-7	FAN 52	1				
021		211223-7	BALL BEARING 6002DDW	1			Y04879	
021-1		211223-7	BALL BEARING 6002DDW	1	O	Y04879	99419	
021-2		211489-9	BALL BEARING 6002LLUX	1	O	99419		
022		267785-3	WAVE WASHER 23	1				
023		266351-3	TAPPING SCREW 4X35	4				
024		154668-5	MOTOR HOUSING COMPLETE	1			DB268	
	C10	816817-9	SCALE LABEL	1			DB268	
024-1		141D78-9	MOTOR HOUSING COMPLETE	1	<	DB268		
	C10	8034K8-2	SCALE LABEL	1		DB268		
025		763663-0	COLLET CONE 6.35	1				
026		763661-4	COLLET NUT 6	1				
027		265771-8	THUMB SCREW M5X33	1				
028		226217-9	SPUR GEAR 16	1				
029		265142-9	+ PAN HEAD SCREW M4X10	4				
030		419138-4	BASE	1				
033		265763-7	THUMB SCREW M6X25	1				
034		941151-9	FLAT WASHER 6	1				
035		941101-4	FLAT WASHER 5	1				
036		252652-5	THUMB NUT M5	1				
042		410585-2	BASE PROTECTOR	1				
A01		122703-7	TRIMMER GUIDE ASS'Y	1				
	C10	251471-6	- FLAT HEAD SCREW M5	1				
	C20	265135-6	+ COUNTERSUNK HEAD SCREW M4X1	1				
	C30	265763-7	THUMB SCREW M6X25	1				
	C40	265764-5	THUMB SCREW M6	1				
	C50	317788-8	GUIDE HOLDER	1				
	C60	324378-0	ROLLER 11	1				
	C70	345430-1	HOOK	1			76127	
	C71	341136-9	HOOK	1	O	76127		
	C80	941151-9	FLAT WASHER 6	1				
A02		122704-5	STRAIGHT GUIDE ASS'Y	1				

A:3709(H)

Interchange  
O : Yes  
X : No  
< : the new part can be substituted for the current.  
> : the current part can be substituted for the new.  
S : Interchangeable as a set.

